



Wisconsin Department of Transportation

October 18, 2018

Division of Transportation Systems Development
Bureau of Project Development
4822 Madison Yards Way, 4th Floor South
Madison, WI 53705

Telephone: (608) 266-1631
Facsimile (FAX): (608) 266-8459

NOTICE TO ALL CONTRACTORS:

Proposal #31: 1560-02-70, WISC 2018 455
Hayward - Drummond
STH 27 to Larsen Road
USH 63
Sawyer County

1560-02-75, WISC 2018 456
Hayward - Drummond
Hospital Road Intersection
USH 63
Sawyer County

Letting of November 13, 2018

This is Addendum No. 02, which provides for the following:

Plan Sheets:

Revised Plan Sheets	
Plan Sheet	Plan Sheet Title (brief description of changes to sheet)
6	Construction Detail: Cross Drain Installation detail was incorrect.

Plan Sheets

The following 8½ x 11-inch sheets are attached and made part of the plans for this proposal:
Revised: 6.

The responsibility for notifying potential subcontractors and suppliers of these changes remains with the prime contractor.

Sincerely,

Mike Coleman

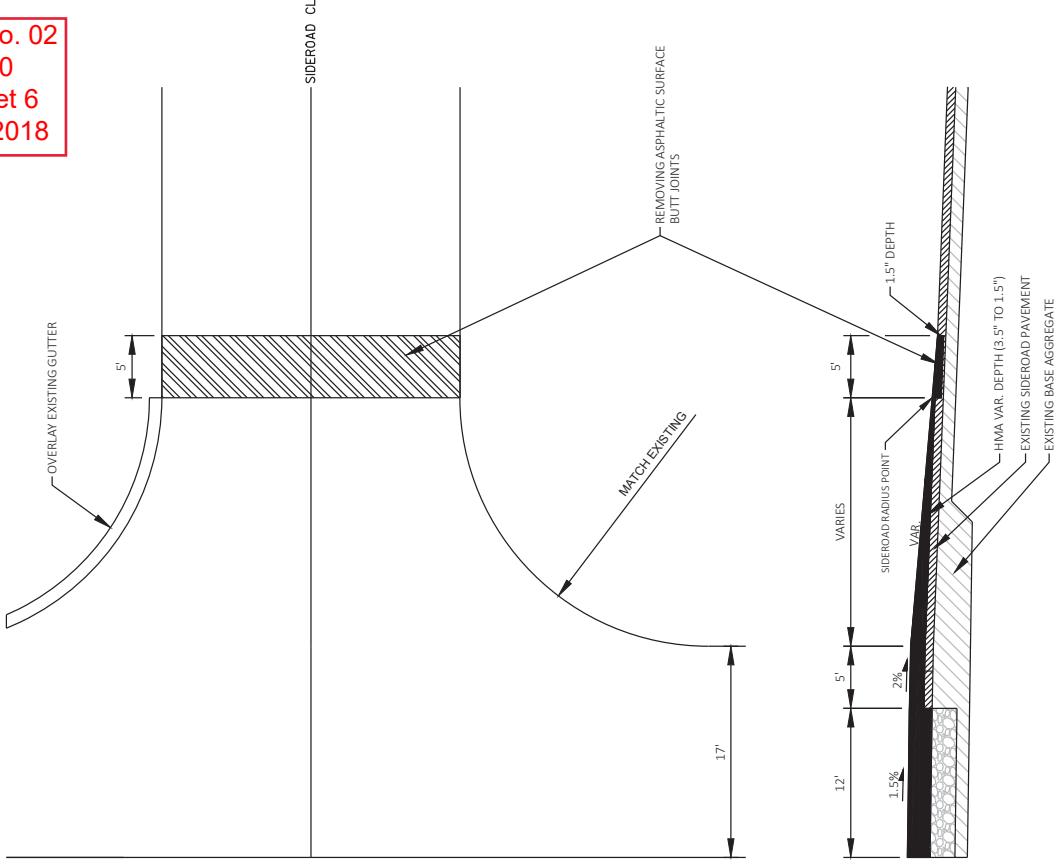
Proposal Development Specialist
Proposal Management Section

END OF ADDENDUM

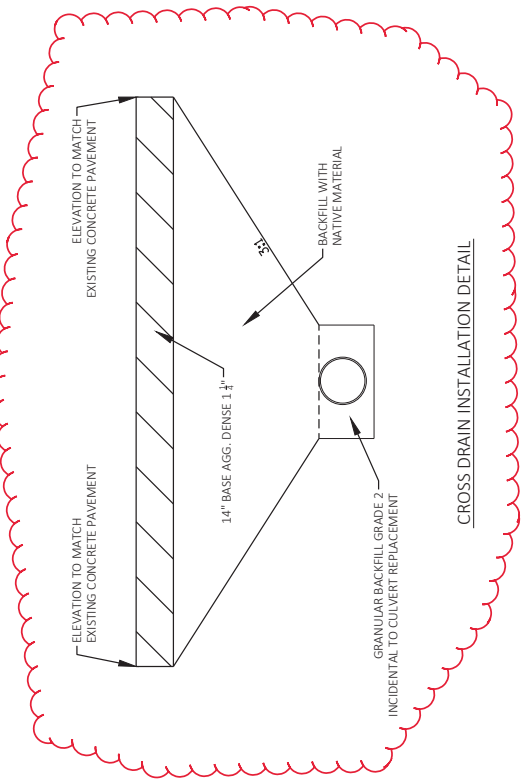
Addendum No. 02
 ID 1560-02-70
 Revised Sheet 6
 October 18, 2018

2

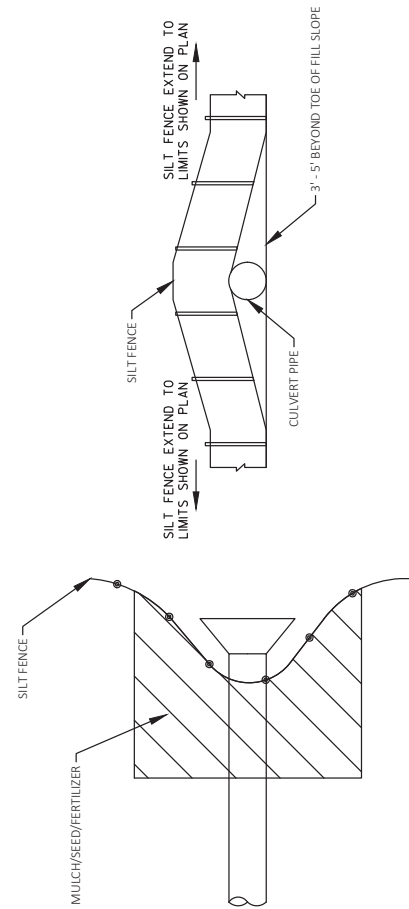
USH 63
 CL



TYPICAL FINISHED HALF SECTION - USH 63 AT SIDEROAD



CROSS DRAIN INSTALLATION DETAIL



CROSS DRAIN EROSION CONTROL DETAIL

2