



Wisconsin Department of Transportation

Division of Transportation Systems Development

Bureau of Project Development
4822 Madison Yards Way, 4th Floor South
Madison, WI 53705

Telephone: (608) 266-1631
Facsimile (FAX): (608) 266-8459

March 7, 2019

NOTICE TO ALL CONTRACTORS:

Proposal #41: 4996-25-71, WISC 2019 174
C Sheboygan, Pennsylvania Ave
Sheboygan River Bridge
Local Street
Sheboygan County

Letting of March 12, 2019

This is Addendum No. 01, which provides for the following:

Special Provisions:

Revised Special Provisions	
Article No.	Description
39	Railing Steel Pedestrian Type C3, Item SPV.0090.01

Plan Sheets:

Revised Plan Sheets	
Plan Sheet	Plan Sheet Title (brief description of changes to sheet)
9	Plan Details (added note for railing steel pedestrian)

Added Plan Sheets	
Plan Sheet	Plan Sheet Title (brief description of why sheet was added)
6A	Construction Detail (added information pertaining to railing steel pedestrian)

The responsibility for notifying potential subcontractors and suppliers of these changes remains with the prime contractor.

Sincerely,

Mike Coleman

Proposal Development Specialist
Proposal Management Section

ADDENDUM NO. 01
Project ID 4996-25-71
March 7, 2019

Special Provisions

39. Railing Steel Pedestrian Type C3, Item SPV.0090.01.

Add the following paragraph at the end of section titled C.1 Delivery, Storage and Handling:

Set ground mounted post as shown in the plans and according to standard spec 616.3.3.2.

Replace paragraph two under section titled E Payment with the following:

Payment is full compensation for fabricating, galvanizing, coating, transporting, and installing the railing, including any anchorages, touch-up and repairs, and for furnishing all excavation and concrete associated with the ground mounted post.

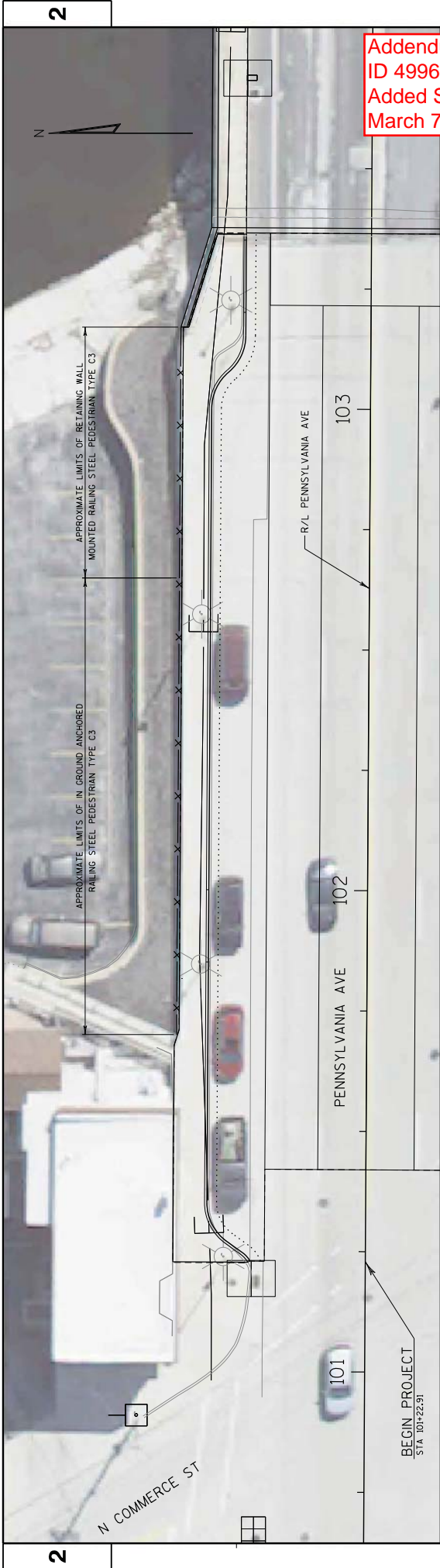
Plan Sheets

The following 8½ x 11-inch sheets are attached and made part of the plans for this proposal:

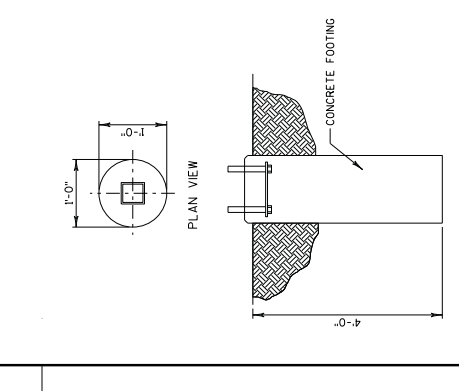
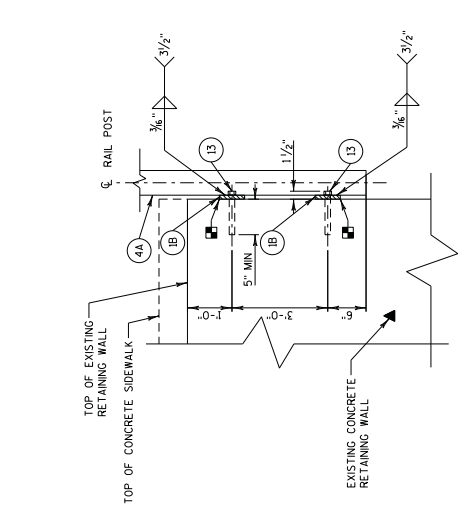
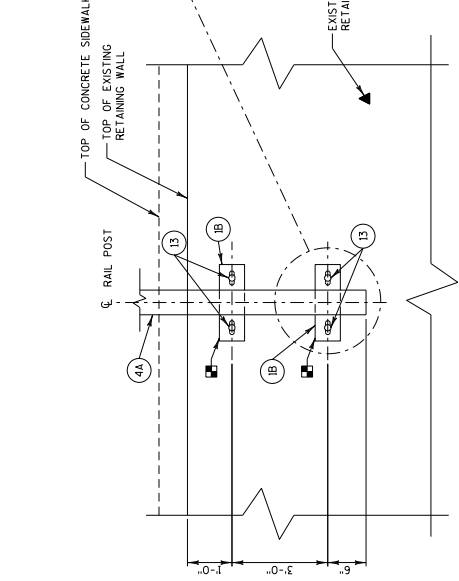
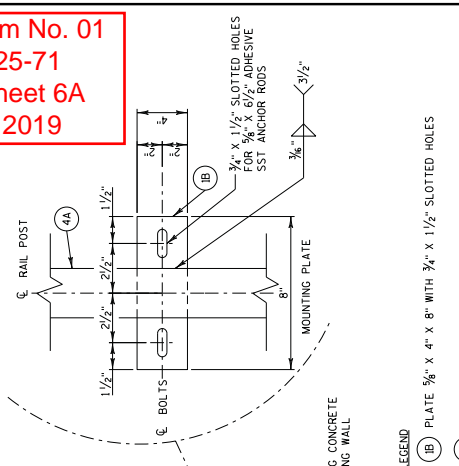
Revised: 9.

Added: 6A.

END OF ADDENDUM



Addendum No. 01
ID 4996-25-71
Added Sheet 6A
March 7, 2019



LEGEND

- (B) PLATE 3/8" x 4" x 8" WITH 3/4" x 1 1/2" x 3/16" PLACE VERTICAL
- (4A) STRUCTURAL TUBING 3" x 1 1/2" x 3/16" PLACE VERTICAL
- (13) 3/8" DIA x 6 1/2" STAINLESS STEEL ADHESIVE ANCHOR BOLTS WITH NUT AND LOCK WASHER. CONTRACTOR TO USE ADHESIVE ANCHOR FROM THE DEPARTMENT APPROVED MANUFACTURER LIST. 1 1/2" MAXIMUM BOLT PROJECTION FROM CONCRETE SURFACE.
- CAULK AROUND PERIMETER OF BASE PLATE NO. 1B
- ▲ CONTRACTOR TO CONFIRM EXISTING RETAINING WALL TRUE VERTICAL AND HORIZONTAL ORIENTATION BEFORE RAILING INSTALLATION. CONTACT ENGINEER IF ANY VARIATION IS FOUND.

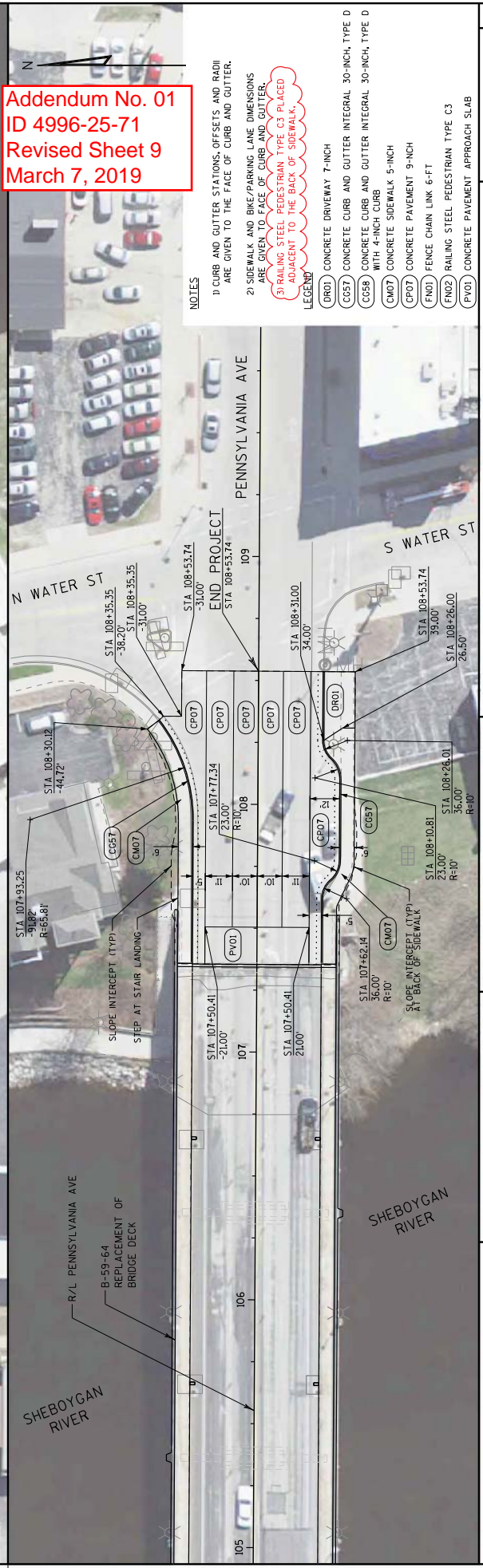
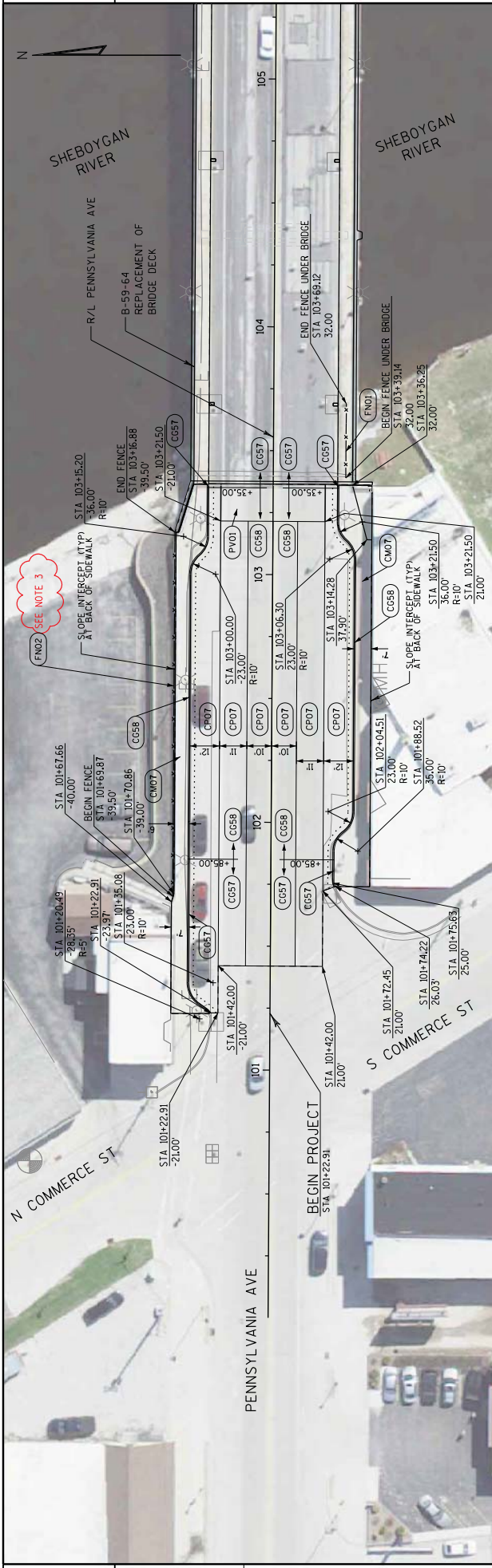
RETAINING WALL ANCHORAGE DETAIL
NOT TO SCALE

CONSTRUCTION DETAILS

IN GROUND ANCHORAGE DETAIL
NOT TO SCALE

PROJECT NO: 4996-25-71
HWY: PENNSYLVANIA AVENUE COUNTY: SHEBOYGAN
PLOT NAME : WWSL0K
PLOT DATE : 3/7/2019
PLOT SCALE : 1:120

SHEET 6A
E 6A
WISDOT/CADD SHEET 42



Addendum No. 01
 ID 4996-25-71
 Revised Sheet 9
 March 7, 2019

NOTES

- 1) CURB AND GUTTER STATIONS, OFFSETS AND RADII ARE GIVEN TO THE FACE OF CURB AND GUTTER.
 - 2) SIDEWALK AND BIKE/PARKING LANE DIMENSIONS ARE GIVEN TO FACE OF CURB AND GUTTER.
 - 3) RAILING STEEL PEDESTRIAN TYPE C3 PLACED ADJACENT TO THE BACK OF SIDEWALK.
- LEGEND
- (DR01) CONCRETE DRIVEWAY 7-INCH
 - (C057) CONCRETE CURB AND GUTTER INTEGRAL 30-INCH, TYPE D
 - (C058) CONCRETE CURB AND GUTTER INTEGRAL 30-INCH, TYPE D WITH 4-INCH CURB
 - (C070) CONCRETE SIDEWALK 5-INCH
 - (CP07) CONCRETE PAVEMENT 9-INCH
 - (FN01) FENCE CHAIN LINK 6-FT
 - (FN02) RAILING STEEL PEDESTRIAN TYPE C3
 - (FV01) CONCRETE PAVEMENT APPROACH SLAB

PROJECT NO: 4996-25-71	HWY: PENNSYLVANIA AVENUE	COUNTY: SHEBOYGAN	PLAN DETAILS	SHEET 9	E
FILE NAME : S:\DOT\DOT_NE\170125 -ID 4996-25-00 Penn Ave Br-Loop\DOT\Plansheets\021205-P0.dgn					
PLOT DATE : 3/6/2019					
PLOT BY : rwwlck					
PLOT NAME :					
PLOT SCALE : 1:40					