



Wisconsin Department of Transportation

June 26, 2019

Division of Transportation Systems Development

Bureau of Project Development
4822 Madison Yards Way, 4th Floor South
Madison, WI 53705

Telephone: (608) 266-1631
Facsimile (FAX): (608) 266-8459

NOTICE TO ALL CONTRACTORS:

Proposal #10: 1510-02-72, WISC 2019 499
Waupaca - Appleton
CTH E Structure B-68-0144
USH 10
Waupaca County

Letting of July 9, 2019

This is Addendum No. 01, which provides for the following:

Schedule of Items:

Revised Bid Item Quantities					
Bid Item	Item Description	Unit	Old Quantity	Revised Quantity	Proposal Total
455.0605	Tack Coat	GAL	112	570	682

Added Bid Item Quantities					
Bid Item	Item Description	Unit	Old Quantity	Revised Quantity	Proposal Total
204.0115	Removing Asphaltic Surface Butt Joints	SY	0	49	49

Plan Sheets:

Revised Plan Sheets	
Plan Sheet	Plan Sheet Title (brief description of changes to sheet)
9	Added a Butt Joint detail.
112	Revised MQ's to include new bid item.
114	Revised MQ's to communicate Tack Coat change.
115	Revised MQ's to communicate Tack Coat change.
136	Revised Plan and Profile sheet to communicate location of new bid item.

Schedule of Items

Attached, dated June 26, 2019, are the revised Schedule of Items Pages 2 and 9.

Plan Sheets

The following 8½ x 11-inch sheets are attached and made part of the plans for this proposal:

Revised: 9, 112, 114, 115 and 136.

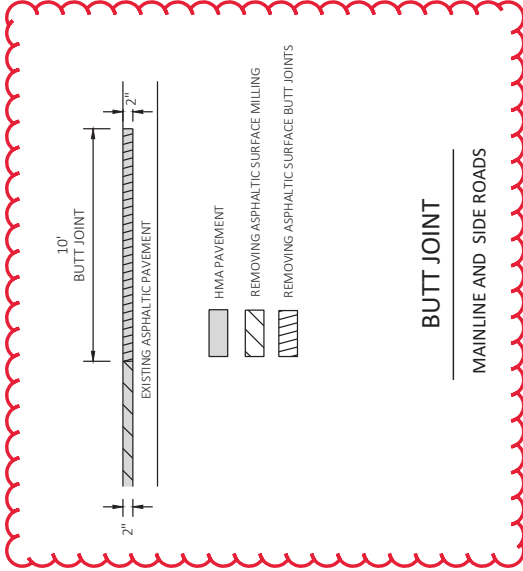
The responsibility for notifying potential subcontractors and suppliers of these changes remains with the prime contractor.

Sincerely,

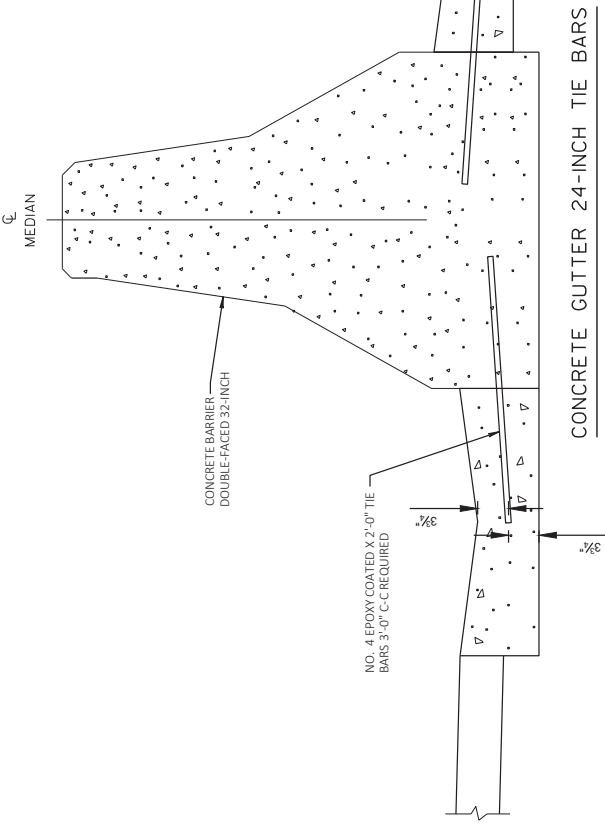
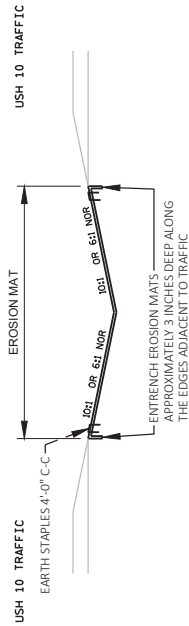
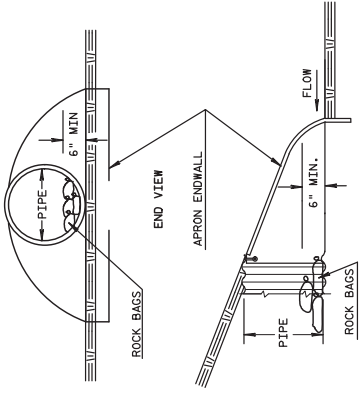
Mike Coleman

Proposal Development Specialist
Proposal Management Section

END OF ADDENDUM



Addendum No. 01
ID 1510-02-72
Revised Sheet 9
June 26, 2019



PREPARE FOUNDATION FOR ASPHALTIC SHOULDERS

STATION - STATION	LOCATION	STA.	REMARKS
5+44X - 8+44X	CROSSOVER - USH 10 (EB)	3	STAGE 1*
8+44X - 18+44X	CROSSOVER - MEDIAN	10	STAGE 1*
15+95X - 28+35X	CROSSOVER - USH 10 (WB)	12	STAGE 1*
18+44X - 28+56X	CROSSOVER - USH 10 (WB)	10	STAGE 1*
29+52X - 37+59X	CROSSOVER - USH 10 (WB)	8	STAGE 1*
29+73X - 37+01X	CROSSOVER - USH 10 (WB)	7	STAGE 1*
37+01X - 42+51X	CROSSOVER - MEDIAN	5	STAGE 1*
42+51X - 47+51X	CROSSOVER - USH 10 (EB)	5	STAGE 1*
TOTAL			61

*BID ITEM LOCATION INCLUDES ALL AREAS OF "ASPHALTIC SURFACE TEMPORARY"

BASE AGGREGATE DENSE

STATION - STATION	LOCATION	TON	TON	MGAL	REMARKS
428+50EB - 438+50EB	USH 10 MEDIAN	111	2	2	STAGE 1
450+67WB - 458+00WB	USH 10 (WB) RT	31	124	2	STAGE 1
457+00EB - 462+50EB	USH 10 MEDIAN	305	6	6	STAGE 1
462+50EB - 465+00EB	USH 10 (EB) LT	30	1	1	STAGE 1
441+30WB - 449+50WB	USH 10 (WB) RT	34	---	---	STAGE 1
436+90WB - 449+34WB	USH 10 (WB) LT	52	---	---	STAGE 1
450+45WB - 458+53WB	USH 10 (WB) LT	34	---	---	STAGE 1
444+30EB - 448+58EB	USH 10 (EB) LT/RT	140	306	6	STAGE 2
450+13EB - 457+00EB	USH 10 (EB) LT/RT	240	581	12	STAGE 2
110+50E - 115+30E	CTH E (RT)	32	101	2	STAGE 2
110+50E - 115+30E	CTH E (LT)	31	103	2	STAGE 2
112+40E - 113+00E	CTH E (RT)	23	---	---	STAGE 3
112+40E - 113+00E	CTH E (LT)	23	---	---	STAGE 3
111+15E - 111+90E	CTH E	64	1	1	STAGE 3
441+30WB - 449+50WB	USH 10 (WB) RT	205	---	---	STAGE 3
450+65WB - 463+43WB	USH 10 (WB) RT	320	---	---	STAGE 3
457+00EB - 462+50EB	USH 10 (EB) LT	138	---	---	STAGE 3
462+50EB - 467+50EB	USH 10 (EB) LT	94	---	---	STAGE 3
TOTALS			1397	1725	35

PROJECT NO: 1510-02-72

HWY: USH 10

COUNTY: WAUPACA

MISCELLANEOUS QUANTITIES - 3

SHEET: 114

FILE NAME: N:\projects\1510-02-72\USH_10_CTH_E\BidItemQuantities\33021.tbl

PLOT DATE: 6/26/2019 8:07 AM

PLOT BY: _____

PLOT NAME: 030201.mxd

PLOT SCALE: 1:1

CONCRETE PAVEMENT 10-INCH, DOWEL BARS, AND TIE BARS

STATION - STATION	LOCATION	SY	DOWEL BARS EACH	REPAIR SY	REMARKS
445+75EB - 448+52EB	USH 10 (EB)	720	24	---	STAGE 2
450+16EB - 456+50EB	USH 10 (EB)	1749	24	---	STAGE 2
458+25EB	USH 10 (EB)	---	20	11	STAGE 2
TOTAL			124	68	11

* LOCATION APPROXIMATE. FIELD ENGINEER TO VERIFY CRACKED PANEL.

CONCRETE SURFACE DRAINS

STATION - STATION	LOCATION	CY	REMARKS
448+46EB - 448+58EB	USH 10EB (RT)	1	STAGE 2
TOTAL			1

Addendum No. 01
ID 1510-02-72
Revised Sheet 114
June 26, 2019

HMA PAVEMENT & TACK COAT

STATION - STATION	LOCATION	GAL	TON	REMARKS
445+20EB - 448+58EB	USH 10 (EB) RT	---	62	STAGE 2 - SHOULDER
445+75EB - 448+40EB	USH 10 (EB) LT	---	23	STAGE 2 - SHOULDER
450+14EB - 457+00EB	USH 10 (EB) LT	---	38	STAGE 2 - SHOULDER
450+29EB - 456+50EB	USH 10 (EB) RT	---	68	STAGE 2 - SHOULDER
428+50EB - 438+50EB	USH 10 (EB) - MEDIAN (LT)	---	147	STAGE 3A - MEDIAN
428+50EB - 438+50EB	USH 10 (EB) - MEDIAN (RT)	---	147	STAGE 3A - MEDIAN
110+50E - 115+30E	CTH E - WIDENING (LT)	---	18	STAGE 3
110+50E - 115+30E	CTH E - WIDENING (RT)	---	18	STAGE 3
111+15E - 111+90E	CTH E - CULVERT PIPES	---	24	STAGE 3
112+10E - 112+87E	CTH E RT	---	4	STAGE 3
112+35E - 113+10E	CTH E LT	---	3	STAGE 3
110+50E - 115+30E	CTH E	112	153	STAGE 3
TOTALS			112	705

*ADDITIONAL QUANTITY SHOWN ELSEWHERE.

MISCELLANEOUS QUANTITIES - 3

SHEET: 114

FILE NAME: N:\projects\1510-02-72\USH_10_CTH_E\BidItemQuantities\33021.tbl

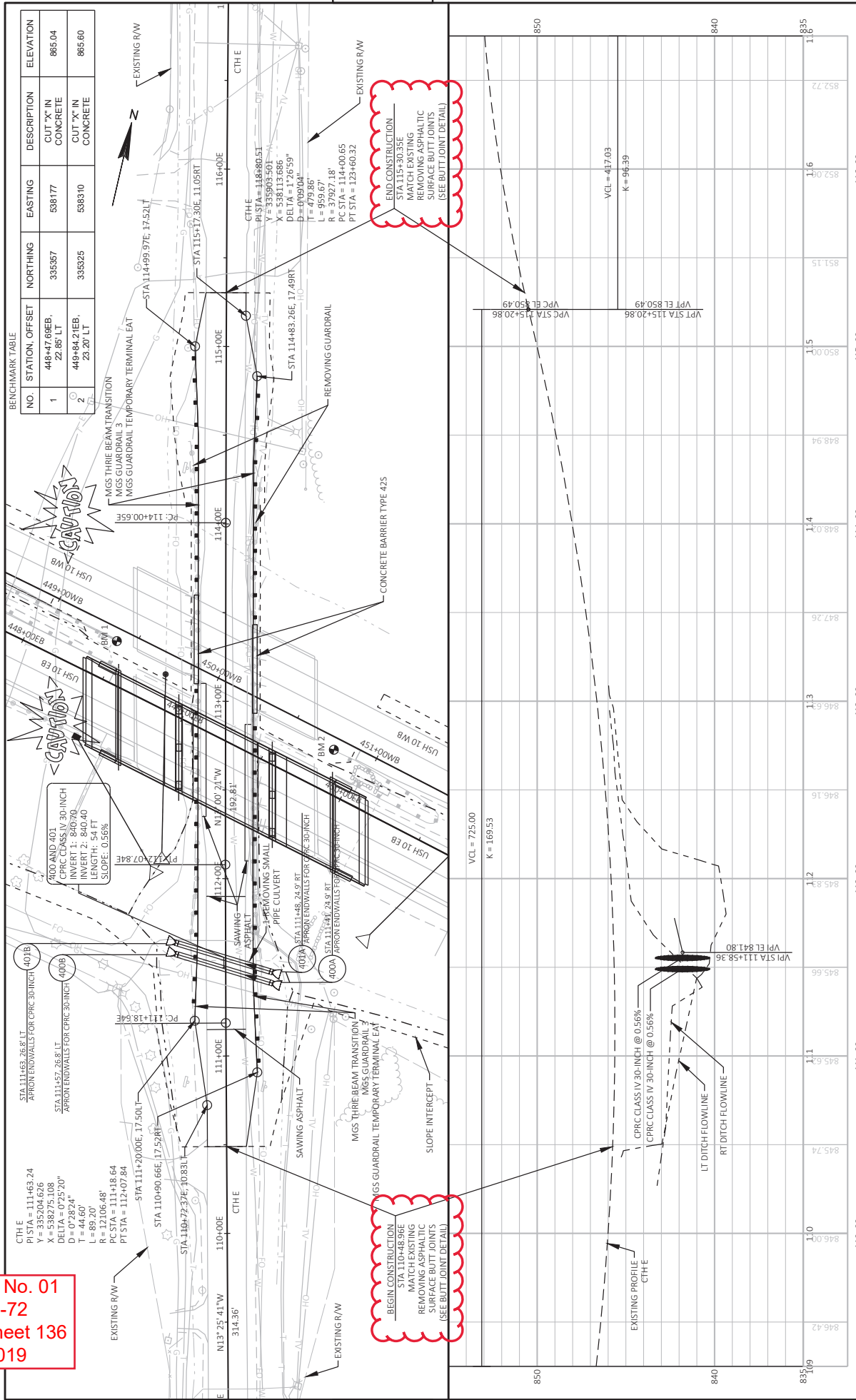
PLOT DATE: 6/26/2019 8:07 AM

PLOT BY: _____

PLOT NAME: 030201.mxd

PLOT SCALE: 1:1

Addendum No. 01
ID 1510-02-72
Revised Sheet 136
June 26, 2019



BENCHMARK TABLE

NO.	STATION, OFFSET	NORTHING	EASTING	DESCRIPTION	ELEVATION
1	449+47.98EB, 22.85' LT	335357	538177	CUT "X" IN CONCRETE	865.04
2	449+64.21EB, 23.20' LT	335325	538310	CUT "X" IN CONCRETE	865.60

PROJECT NO:	1510-02-72	HWY:	USH 10	COUNTY:	WAUPACA	PLAN AND PROFILE:	CTH E	SHEET	136
FILE NAME:	N:\PDS\3201500023\SHETS\PLAN\002-PP-CTH.E.DWG								
LAYOUT NAME:	1								
PLOT DATE:	6/25/2019 3:17 PM								
PLOT BY:	CASPER, ANDREW P								
PLOT NAME:	#								
PLOT SCALE:	#								
FILE NAME:	WIS007\CADDS SHEET 44								



Proposal Schedule of Items

Proposal ID: 20190709010 Project(s): 1510-02-72

Federal ID(s): WISC 2019499

SECTION: 0001 Contract Items

Alt Set ID: Alt Mbr ID:

Proposal Line Number	Item ID Description	Approximate Quantity and Units	Unit Price	Bid Amount
0034	208.0100 Borrow	2,570.000 CY	_____.	_____.
0036	210.1500 Backfill Structure Type A	198.000 TON	_____.	_____.
0038	211.0400 Prepare Foundation for Asphaltic Shoulders	61.000 STA	_____.	_____.
0040	213.0100 Finishing Roadway (project) 01. 1510-02-72	1.000 EACH	_____.	_____.
0042	305.0110 Base Aggregate Dense 3/4-Inch	1,397.000 TON	_____.	_____.
0044	305.0120 Base Aggregate Dense 1 1/4-Inch	2,003.000 TON	_____.	_____.
0046	415.0100 Concrete Pavement 10-Inch	2,469.000 SY	_____.	_____.
0048	415.0410 Concrete Pavement Approach Slab	124.000 SY	_____.	_____.
0050	416.0620 Drilled Dowel Bars	68.000 EACH	_____.	_____.
0052	416.1010 Concrete Surface Drains	1.000 CY	_____.	_____.
0054	416.1710 Concrete Pavement Repair	11.000 SY	_____.	_____.
0056	455.0605 Tack Coat	682.000 GAL	_____.	_____.
0058	460.2000 Incentive Density HMA Pavement	500.000 DOL	1.00000	500.00
0060	460.5224 HMA Pavement 4 LT 58-28 S	705.000 TON	_____.	_____.
0062	465.0105 Asphaltic Surface	2,808.000 TON	_____.	_____.
0064	465.0315 Asphaltic Flumes	25.000 SY	_____.	_____.



Proposal Schedule of Items

Proposal ID: 20190709010 Project(s): 1510-02-72

Federal ID(s): WISC 2019499

SECTION: 0001 Contract Items

Alt Set ID: Alt Mbr ID:

Proposal Line Number	Item ID Description	Approximate Quantity and Units	Unit Price	Bid Amount
0256	690.0150 Sawing Asphalt	3,377.000 LF	_____.	_____.
0258	690.0250 Sawing Concrete	60.000 LF	_____.	_____.
0260	715.0415 Incentive Strength Concrete Pavement	750.000 DOL	1.00000	750.00
0262	715.0502 Incentive Strength Concrete Structures	5,000.000 DOL	1.00000	5,000.00
0264	ASP.1T0A On-the-Job Training Apprentice at \$5.00/HR	2,000.000 HRS	5.00000	10,000.00
0266	ASP.1T0G On-the-Job Training Graduate at \$5.00/HR	1,260.000 HRS	5.00000	6,300.00
0268	SPV.0060 Special 01. Sawing Concrete Barrier Double-Faced	2.000 EACH	_____.	_____.
0270	SPV.0060 Special 02. Pipe Connection To Storm Sewer Structure	4.000 EACH	_____.	_____.
0272	SPV.0090 Special 01. Steel Thrie Beam Single Faced	1,221.000 LF	_____.	_____.
0274	SPV.0090 Special 02. Steel Thrie Beam Double Faced	1,282.000 LF	_____.	_____.
0276	204.0115 Removing Asphaltic Surface Butt Joints	49.000 SY	_____.	_____.
Section: 0001			Total:	_____.
			Total Bid:	_____.

