



Wisconsin Department of Transportation

Division of Transportation Systems Development

Bureau of Project Development
4822 Madison Yards Way, 4th Floor South
Madison, WI 53705

Telephone: (608) 266-1631
Facsimile (FAX): (608) 266-8459

November 6, 2019

NOTICE TO ALL CONTRACTORS:

**Proposal #27: 1520-05-70, WISC 2019 694
Pittsville - Neillsville
East County Line to STH 95
STH 73
Clark County**

Letting of November 12, 2019

This is Addendum No. 01, which provides for the following:

Plan Sheets:

Revised Plan Sheets	
Plan Sheet	Plan Sheet Title (brief description of changes to sheet)
133-140	Revised to show culverts and endwalls in the cross sections along with culvert invert offsets and elevations. A note is also included to "set new inverts to match existing inverts in the field".

Plan Sheets

The following 8½ x 11-inch sheets are attached and made part of the plans for this proposal:

Revised: 133, 134, 135, 136, 137, 138, 139, 140.

The responsibility for notifying potential subcontractors and suppliers of these changes remains with the prime contractor.

Sincerely,

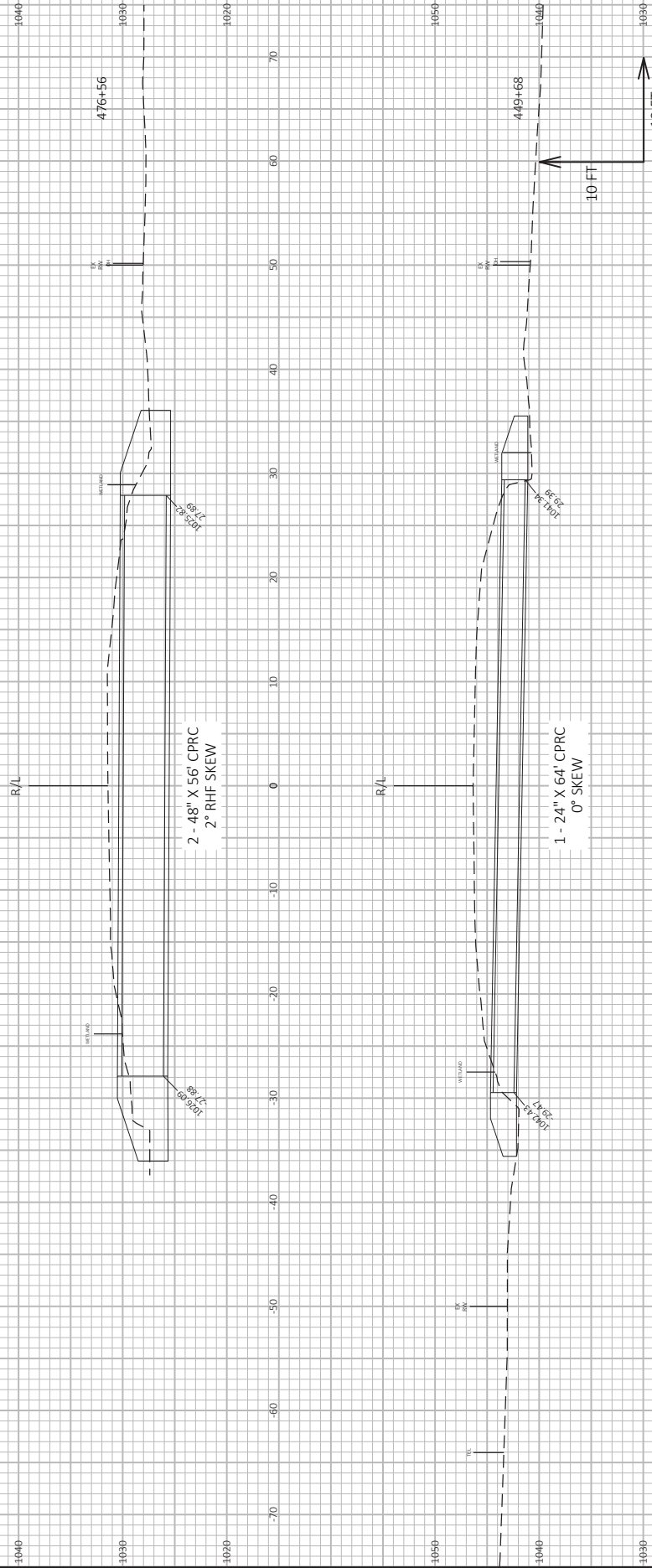
Mike Coleman

Proposal Development Specialist
Proposal Management Section

END OF ADDENDUM

NOTES:
 SET NEW INVERTS TO MATCH
 EXISTING INVERTS IN THE FIELD

Addendum No. 01
 ID 1520-05-70
 Revised Sheet 133
 November 6, 2019



9

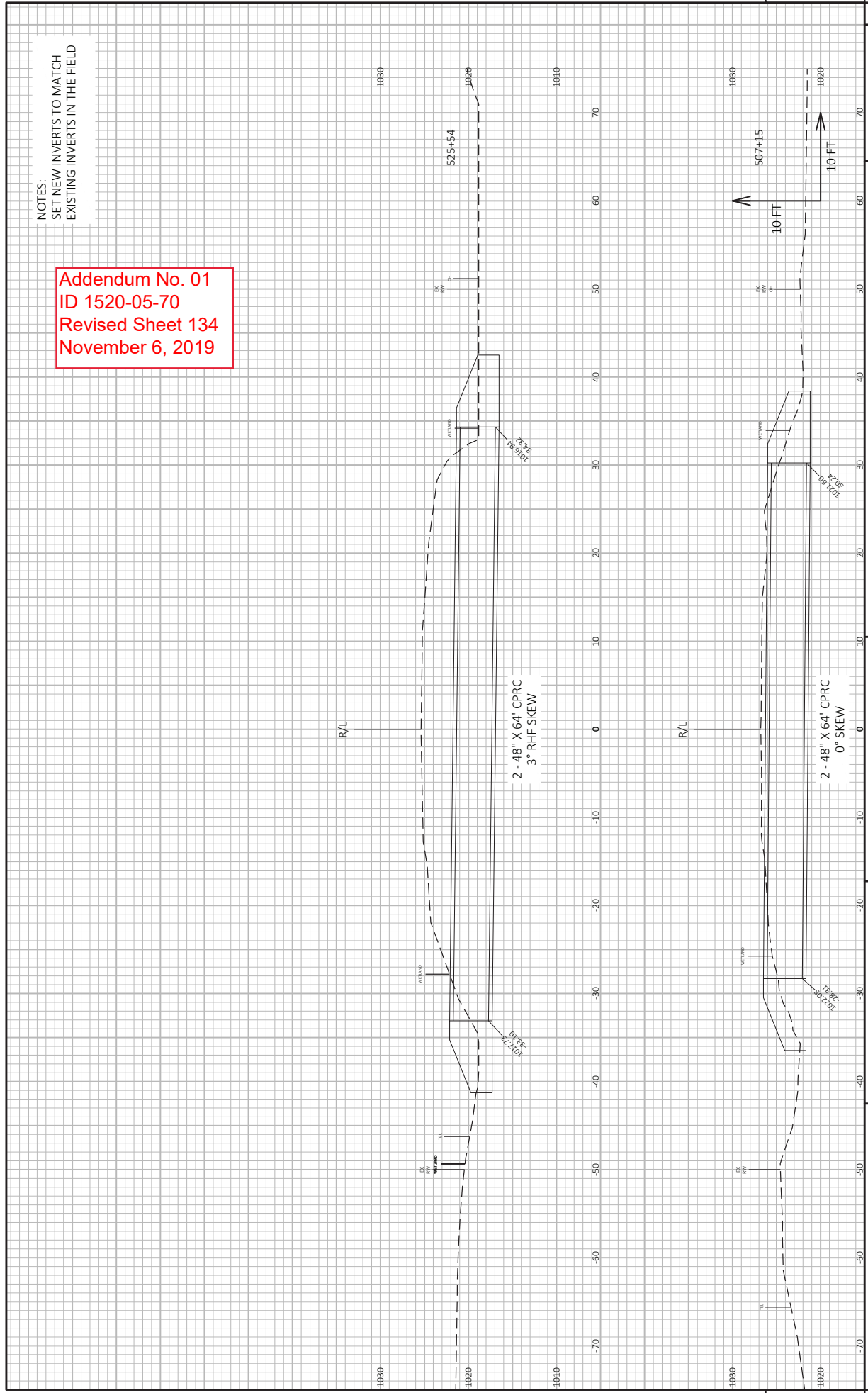
9

PROJECT NO: 1520-05-70
 COUNTY: CLARK
 HWY: STH 73
 CROSS SECTIONS: CULVERTS
 SHEET 133
 E

FILE NAME: N:\PDS\32015200509\ADDENDUM\9001_X5_CULVERTS_UPDATE.DWG
 LAYOUT NAME: 01
 PLOT DATE: 11/5/2019 2:10 PM
 PLOT BY: MUNDEN, ALISSA
 PLOT NAME: WISDOT\CAD\SS\9001_X5_CULVERTS_UPDATE.DWG

NOTES:
 SET NEW INVERTS TO MATCH
 EXISTING INVERTS IN THE FIELD

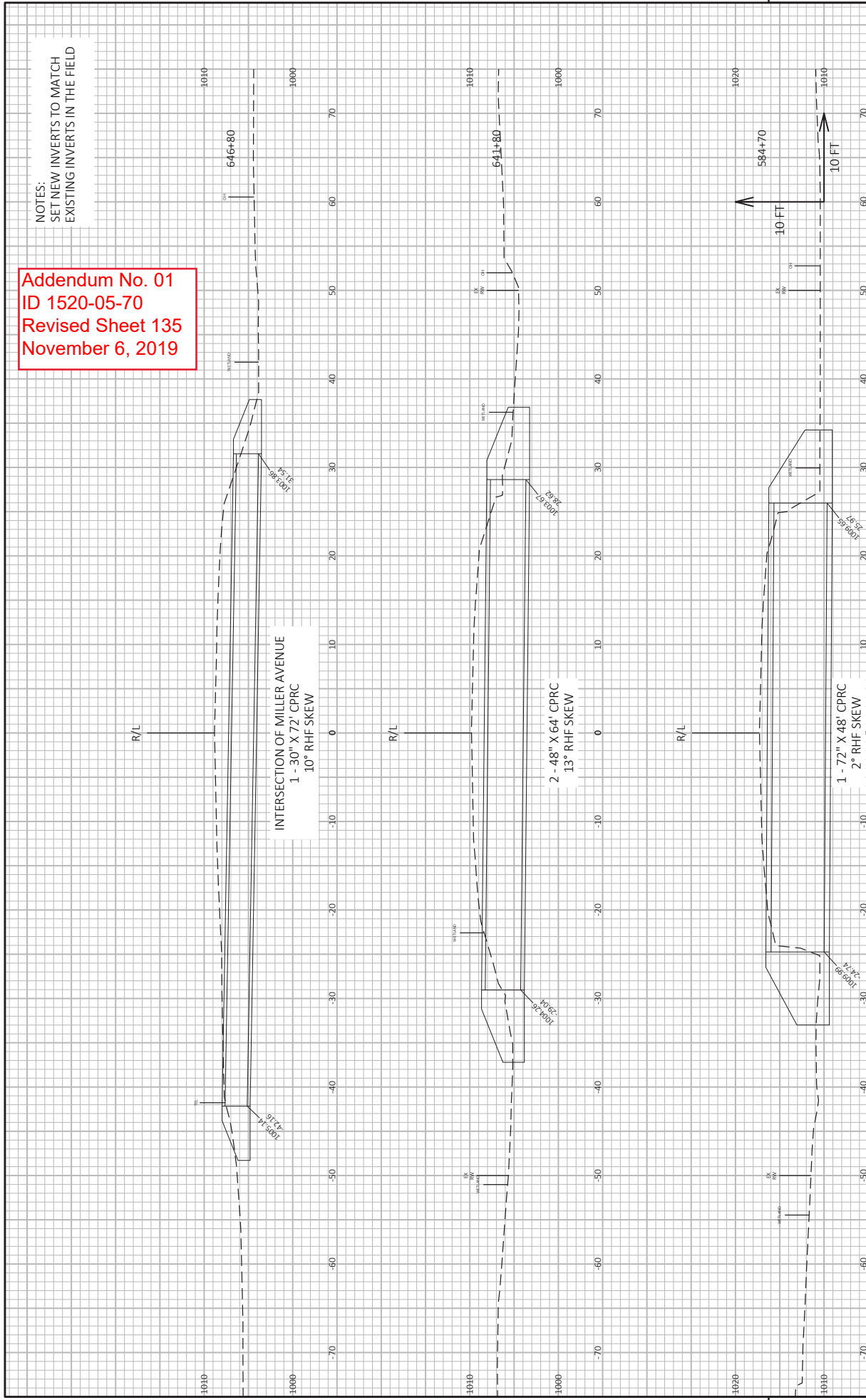
Addendum No. 01
 ID 1520-05-70
 Revised Sheet 134
 November 6, 2019



PROJECT NO: 1520-05-70	COUNTY: CLARK	CROSS SECTIONS: CULVERTS	SHEET 134
HWY: STH 73	FILE NAME: N:\PDS\3D\15200505\ADDENDUM\9001_X5_CULVERTS_UPDATE.DWG	DATE: 11/5/2019 2:10 PM	WISDOT/CADD/SHEET 49
LAYOUT NAME: -02	DESIGNED BY: MUNDEN, ALISSA	PLotted BY: MUNDEN, ALISSA	PLotted DATE: 11/10/2019 10:10 AM

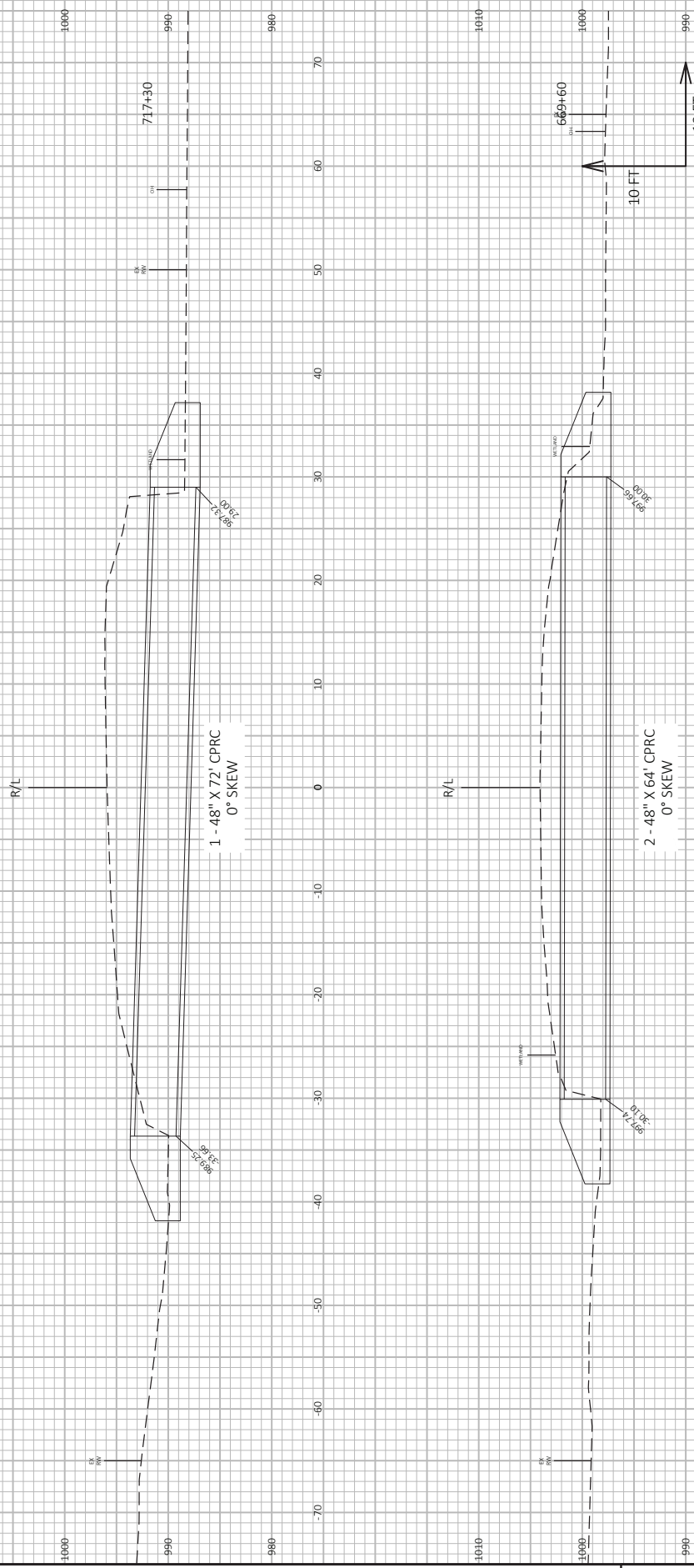
NOTES:
 SET NEW INVERTS TO MATCH
 EXISTING INVERTS IN THE FIELD

Addendum No. 01
 ID 1520-05-70
 Revised Sheet 135
 November 6, 2019



NOTES:
 SET NEW INVERTS TO MATCH
 EXISTING INVERTS IN THE FIELD

Addendum No. 01
 ID 1520-05-70
 Revised Sheet 136
 November 6, 2019



9

9

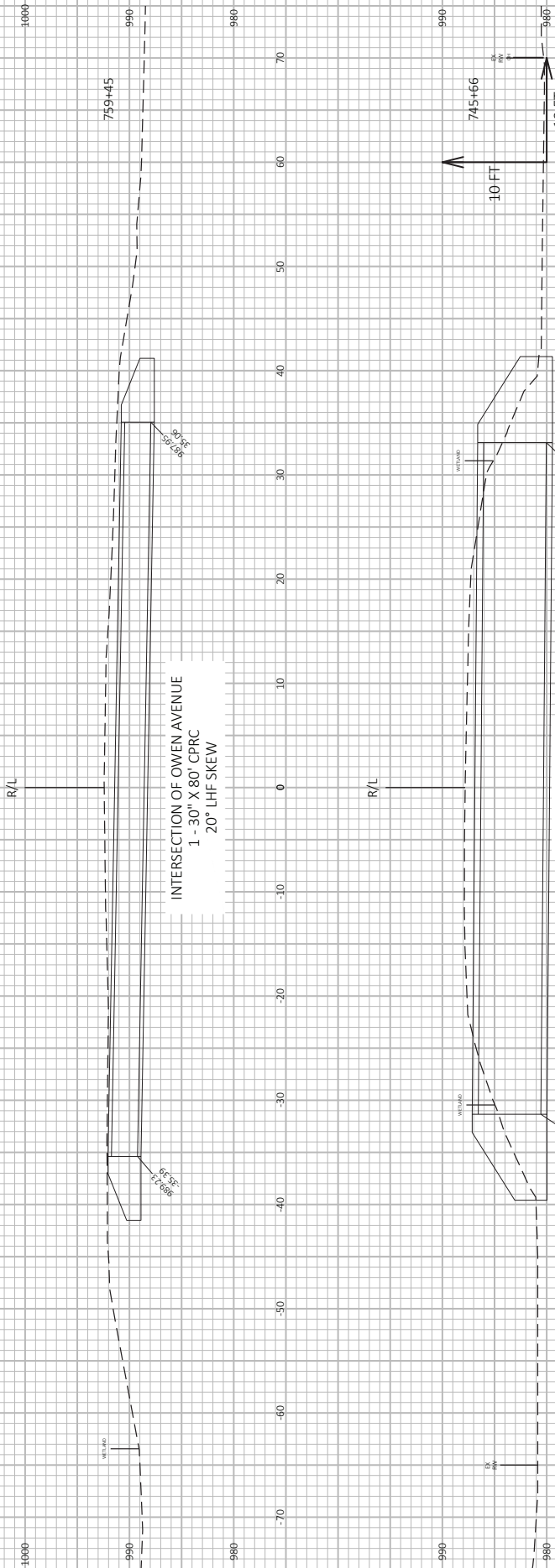
PROJECT NO: 1520-05-70
 COUNTY: CLARK
 HWY: STH 73
 CROSS SECTIONS: CULVERTS
 SHEET 136
 E

FILE NAME: N:\PDS\32015200500\ADDENDUM\9001_XS_CULVERTS_UPDATE.DWG
 LAYOUT NAME: 04
 PLOT DATE: 11/5/2019 2:11 PM
 PLOT BY: MUNDEN, ALISSA
 PLOT NAME: WISDOT\CADDS\SHEET 49

PLOT SCALE: 1 IN=10 FT HORZ. / 1 IN=10 FT VERT.

NOTES:
 SET NEW INVERTS TO MATCH
 EXISTING INVERTS IN THE FIELD

Addendum No. 01
 ID 1520-05-70
 Revised Sheet 137
 November 6, 2019



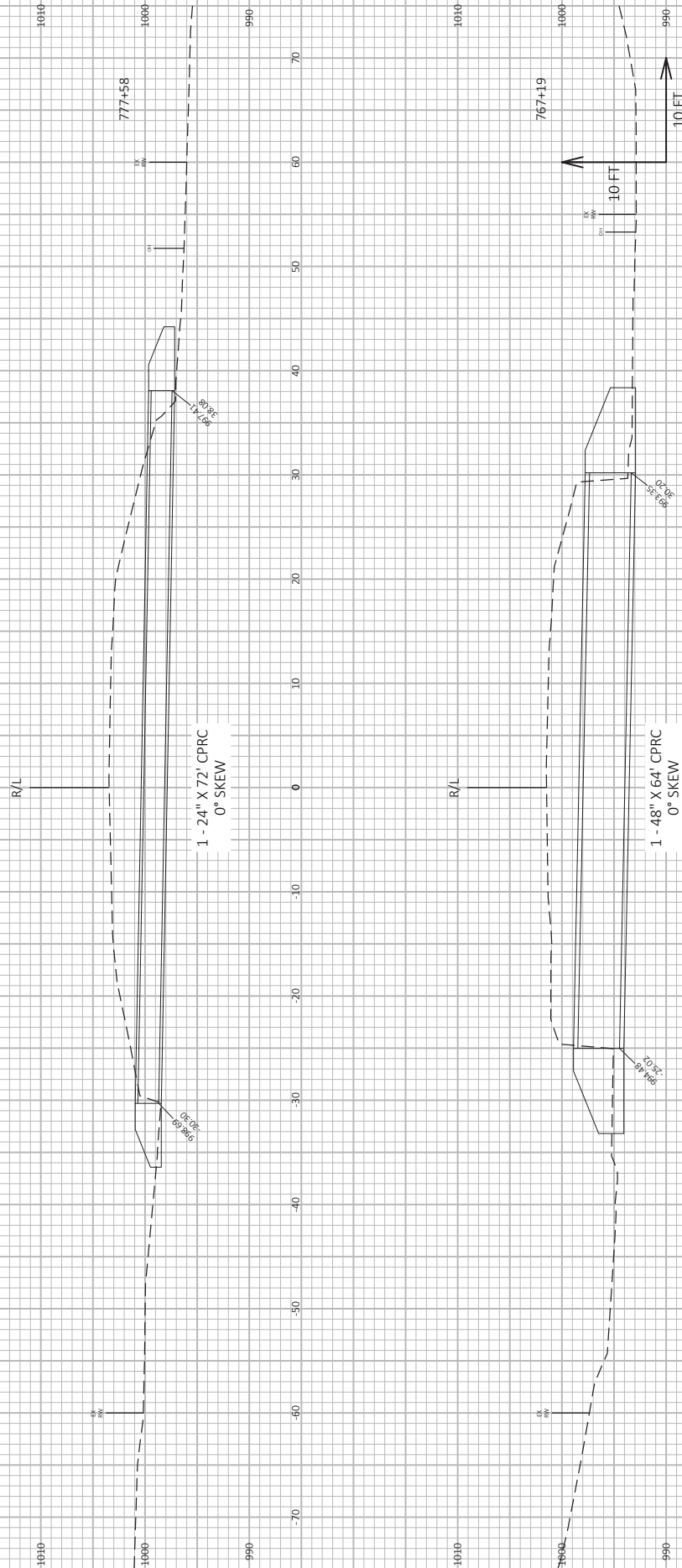
PROJECT NO: 1520-05-70
 HWY: STH 73
 COUNTY: CLARK
 CROSS SECTIONS: CULVERTS
 MUNDEN, ALUSAL
 PLOT BY:
 FILE NAME: N:\PDS\3D\15200505\ADDEND\9001_X5_CULVERTS_UPDATE.DWG
 LAYOUT NAME: 05
 PLOT DATE: 11/5/2019 2:12 PM
 PLOT SCALE: 1 IN=10 FT HORZ. / 1 IN=10 FT VERT.
 SHEET 137
 E

9

9

NOTES:
 SET NEW INVERTS TO MATCH
 EXISTING INVERTS IN THE FIELD

Addendum No. 01
 ID 1520-05-70
 Revised Sheet 138
 November 6, 2019



9

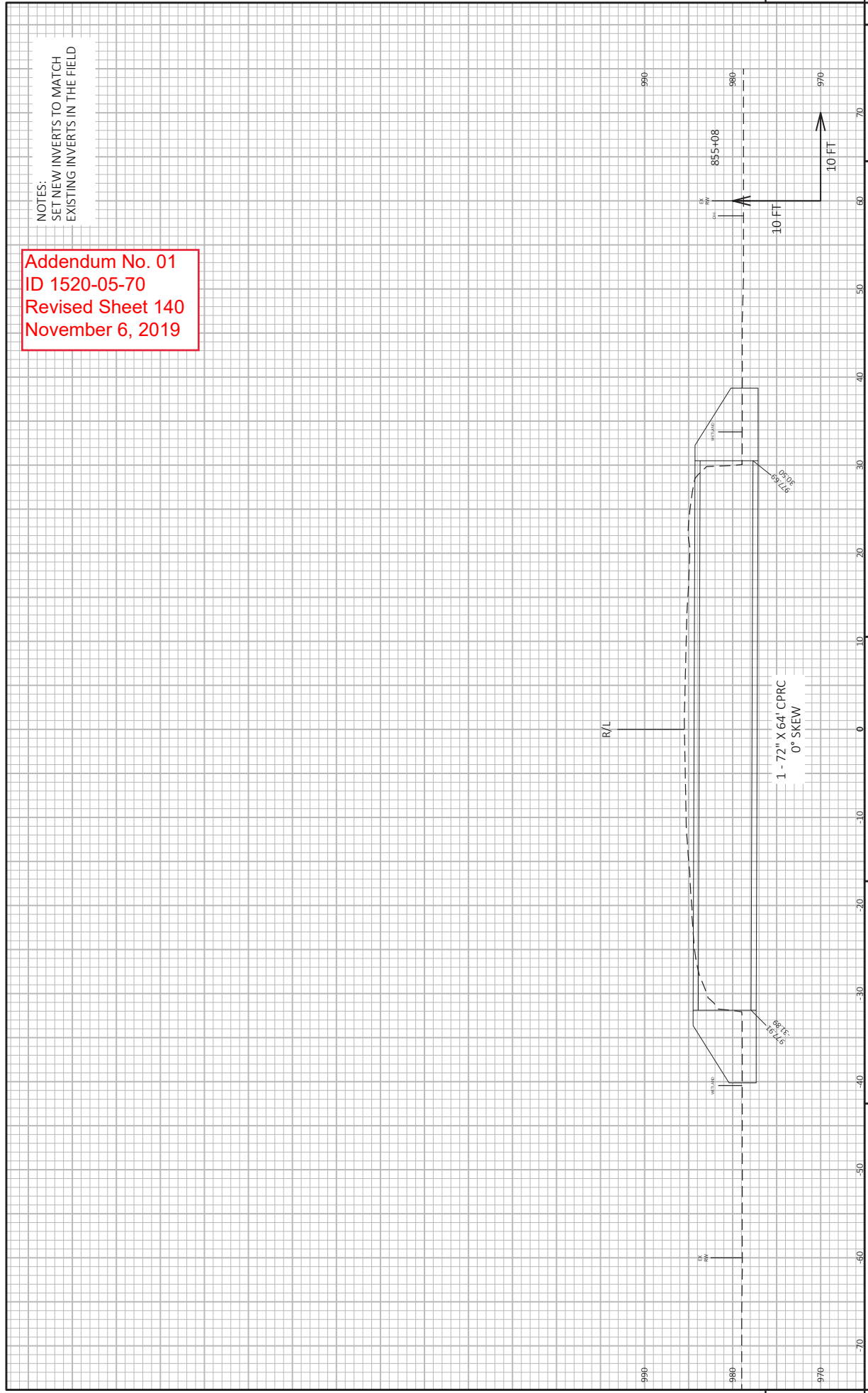
9

PROJECT NO: 1520-05-70 COUNTY: CLARK CROSS SECTIONS: CULVERTS SHEET 138
 HWY: 5TH 73 FLOT BY: MUNDEN, ALISSA PLOT NAME: WISDOT/CADD/SHEET 49
 FILE NAME: N:\PDS\32015200505\ADDEND\9001_X5_CULVERTS_UPDATE.DWG PLOT DATE: 11/5/2019 2:12 PM
 LAYOUT NAME: 06

PLOT SCALE: 1 IN=10 FT HORZ. / 1 IN=10 FT VERT.

NOTES:
SET NEW INVERTS TO MATCH
EXISTING INVERTS IN THE FIELD

Addendum No. 01
ID 1520-05-70
Revised Sheet 140
November 6, 2019



PROJECT NO: 1520-05-70
HWY: STH 73
COUNTY: CLARK
CROSS SECTIONS: CULVERTS
MUNDEN, ALUSAL
FLOT BY:
PLOT NAME:
PLOT DATE: 11/5/2019 2:13 PM
PLOT SCALE: 1 IN=10 FT HORZ. / 1 IN=10 FT VERT.
SHEET 140
E

FILE NAME: N:\PDS\3301\15200509\ADDENDUM\98001_X5_CULVERTS_UPDATE.DWG
LAYOUT NAME: 08

WISDOT/CADD/SHEET 49

