



# Wisconsin Department of Transportation

February 6, 2020

## Division of Transportation Systems Development

Bureau of Project Development  
4822 Madison Yards Way, 4<sup>th</sup> Floor South  
Madison, WI 53705

Telephone: (608) 266-1631  
Facsimile (FAX): (608) 266-8459

### NOTICE TO ALL CONTRACTORS:

**Proposal #35: 8317-00-70**  
**T Clinton, 17<sup>th</sup> Avenue**  
**Hay River Bridge B030207**  
**Local Street**  
**Barron County**

**8328-00-70**  
**T Prairie Farm, 9 1/2-10 1/2 St**  
**Doritty Creek Bridge B030208**  
**Local Street**  
**Barron County**

**8333-00-70**  
**T Sumner, 28<sup>th</sup> Street**  
**Br Rock Creek Bridge B030209**  
**Local Street**  
**Barron County**

### Letting of February 11, 2020

This is Addendum No. 01, which provides for the following:

#### Schedule of Items:

Revised Bid Item Quantities					
Bid Item	Item Description	Unit	Old Quantity	Revised Quantity	Proposal Total
550.1100	Piling Steel HP 10-Inch X 42 Lb	LF	292	-80	212

Deleted Bid Item Quantities					
Bid Item	Item Description	Unit	Old Quantity	Revised Quantity	Proposal Total
550.0020	Pre-Boring Rock or Consolidated Materials	LF	60	-60	0

#### Plan Sheets:

Revised Plan Sheets	
Plan Sheet	Plan Sheet Title (brief description of changes to sheet)
24	Foundation Data
25	Cross Section & Quantities, Structure B-03-0209 – Removed 550.0200. Revised 550.1100
27 – 28	Adjusted Pile length

**Schedule of Items**

Attached, dated February 6, 2020, are the revised Schedule of Items Pages 1 - 5.

**Plan Sheets**

The following 8½ x 11-inch sheets are attached and made part of the plans for this proposal:

Revised: 24, 25, 27, and 28.

The responsibility for notifying potential subcontractors and suppliers of these changes remains with the prime contractor.

Sincerely,

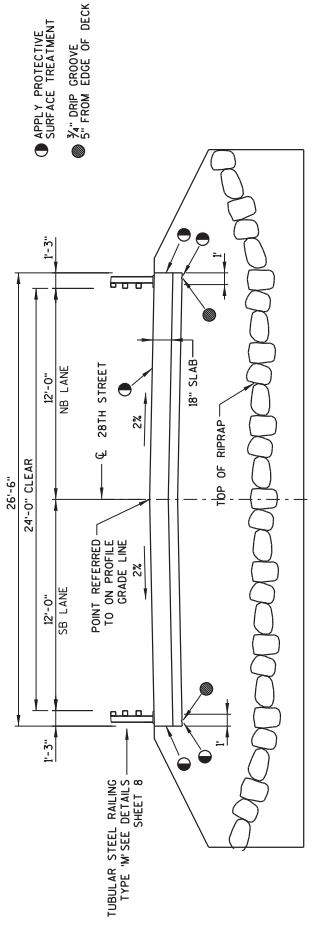
*Mike Coleman*

Proposal Development Specialist  
Proposal Management Section

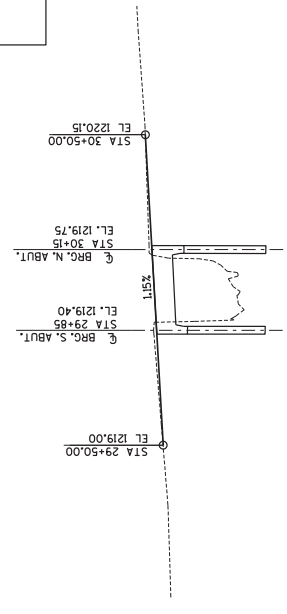
END OF ADDENDUM



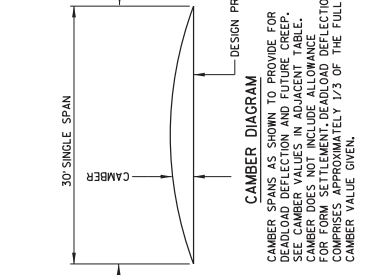
Addendum No. 01  
ID 8333-00-70  
Revised Sheet 25  
February 6, 2020



CROSS SECTION THRU ROADWAY LOOKING NORTH



PROFILE GRADE LINE 28TH ST



TOP OF SLAB ELEVATIONS AND CAMBER VALUES

LOCATION	LT. EDGE SLAB ELEV.	RT. EDGE SLAB ELEV.	BRIDGE ELEV.	CAMBER VALUE (INCHES)
S. C. ABUT.	1219.14	1219.40	1219.14	0
1/10	1219.17	1219.43	1219.17	1/4
2/10	1219.21	1219.47	1219.21	3/8
3/10	1219.24	1219.50	1219.24	1/2
4/10	1219.28	1219.54	1219.28	3/4
5/10	1219.31	1219.57	1219.31	7/8
6/10	1219.35	1219.61	1219.35	1
7/10	1219.38	1219.64	1219.38	1 1/2
8/10	1219.42	1219.68	1219.42	1 3/4
9/10	1219.45	1219.71	1219.45	1 3/4
N. C. ABUT.	1219.49	1219.75	1219.49	0

TOTAL ESTIMATED QUANTITIES

ITEM NUMBER	BID ITEMS	UNIT	SUPER.	WEST ABUT.	EAST ABUT.	TOTAL
203.0700.5	REMOVING OLD STRUCTURE OVER WATERWAY WITH DEBRIS CAPTURE SYSTEM STA. 30+00.00	LS	-	-	-	1
206.0000	EXCAVATION FOR STRUCTURES BRIDGES B-03-0209	LS	-	-	-	1
210.1500	BACKFILL STRUCTURE TYPE A	TON	-	165	165	330
502.0100	CONCRETE MASONRY BRIDGES	CY	52	33	33	118
502.3200	PROTECTIVE SURFACE TREATMENT	SY	112	-	-	112
505.0400	BAR STEEL REINFORCEMENT HS STRUCTURES	LB	-	2,170	2,170	4,340
505.0600	BAR STEEL REINFORCEMENT HS COATED STRUCTURES	LB	9,200	1,450	1,450	12,100
512.1000	PILING STEEL SHEET TEMPORARY	SF	-	750	750	1,500
513.4061	RAILING TUBULAR TYPE M B-03-0209	LF	70	-	-	70
516.0500	RUBBERIZED MEMBRANE WATERPROOFING	SY	12.5	11.5	11.5	35.5
550.0000	PRE-BURNING-ROCK OR CONGLOMERATED MATERIALS	LF	30	30	30	60
606.0300	RIPRAP HEAVY	LF	106	106	106	212
612.0206	PIPE UNDERDRAIN UNPERFORATED 6-INCH	CY	45	40	40	85
612.0406	PIPE UNDERDRAIN WRAPPED 6-INCH	LF	-	49	49	98
645.0120	GEOTEXTILE FABRIC TYPE HR	SY	-	90	85	175
	NON-BID ITEMS					
	PREFORMED FILLER	SIZE				1/2" & 3/4"

ALL ITEMS = CAT. 0020

GENERAL NOTES

- DRAWINGS SHALL NOT BE SCALED.
- BAR STEEL REINFORCEMENT SHALL BE EMBEDDED 2' CLEAR UNLESS OTHERWISE SHOWN OR NOTED
- THE SLOPE OF THE FILL IN FRONT OF THE ABUTMENTS SHALL BE COVERED WITH RIPRAP HEAVY AND GEOTEXTILE FABRIC HR TO THE LIMITS SHOWN ON SHEET 1 AND ON THE ABUTMENT SHEETS OR AS DIRECTED BY THE ENGINEER
- THE EXISTING GROUND LINE SHALL BE THE UPPER LIMITS OF EXCAVATION FOR STRUCTURES FOR THE ABUTMENTS
- SLAB FALSEWORK SHALL BE SUPPORTED ON PILES OR THE SUBSTRUCTURE, UNLESS AN ALTERNATE METHOD IS APPROVED BY THE ENGINEER
- THIS STRUCTURE WILL REPLACE EXISTING BRIDGE P-03-CBS-A, 26-FOOT LONG, SINGLE-SPAN DECK GIRDER BRIDGE SET ON CONCRETE ABUTMENTS
- AT THE BACKFACE OF ABUTMENT ALL VOLUME WHICH CANNOT BE PLACED BEFORE ABUTMENT CONSTRUCTION AND IS NOT OCCUPIED BY THE NEW STRUCTURE SHALL BE BACKFILLED WITH RIPRAP HEAVY AND GEOTEXTILE FABRIC HR. STRUCTURE QUANTITIES ASSUMED A 11/2% EXCAVATION SLOPE BEHIND THE ABUTMENTS
- THE FIRST DIGIT OF A THREE DIGIT BAR MARK AND THE FIRST TWO DIGITS OF A FOUR DIGIT BAR MARK SIGNIFIES THE BAR SIZE
- AT ABUTMENTS, CONCRETE POURED UNDER WATER WILL BE ALLOWED AND SHALL BE DONE IN ACCORDANCE WITH SECTION 502.3.5.3 OF THE STANDARD SPECIFICATIONS
- DO NOT PLACE BACKFILL STRUCTURE ABOVE 3'-0" FROM BOTTOM OF ABUTMENT PILE CAPS UNLESS THE STANDARD SPECIFICATIONS REQUIRE CURING REQUIREMENTS OF SECTION 502.3.4.2 OF THE STANDARD SPECIFICATIONS

*William C. Decker*  
SRP  
02/06/20



ORIGINAL PLANS PREPARED BY  
Engineers - Surveyors - Architects  
cbs inc.  
Chippewa Falls, WI 54728  
Phone: 715.881.6228  
www.cbsinc.com

NO.	DATE	REVISION	BY
1	2/6	REMOVE PRE-BORING	MJG

STATE OF WISCONSIN  
DEPARTMENT OF TRANSPORTATION  
STRUCTURE B-03-0209  
DRAWN BY: DJB  
CHECKED BY: MJG

CROSS SECTION & QUANTITIES  
SHEET 2 OF 8  
25

STATE PROJECT NUMBER

8333-00-70

LEGEND

- KEYED CONST. JOINT FORMED BY BEVELED 2" x 6".
- OPT. KEYED CONST. JOINT FORMED BY BEVELED 2" x 6" WITH MEMBRANE ON BACKFACE.
- ▽ VERTICAL 18" RUBBERIZED MEMBRANE WATERPROOFING TO EXTEND FROM BRIDGE SEAT TO TOP OF WING WALL.
- E.F. DENOTES EACH FACE
- B.F. DENOTES BACK FACE
- F.F. DENOTES FRONT FACE

Addendum No. 01  
 ID 8333-00-70  
 Revised Sheet 27  
 February 6, 2020

*William C. Dehn*  
 SRP

02/06/20



8

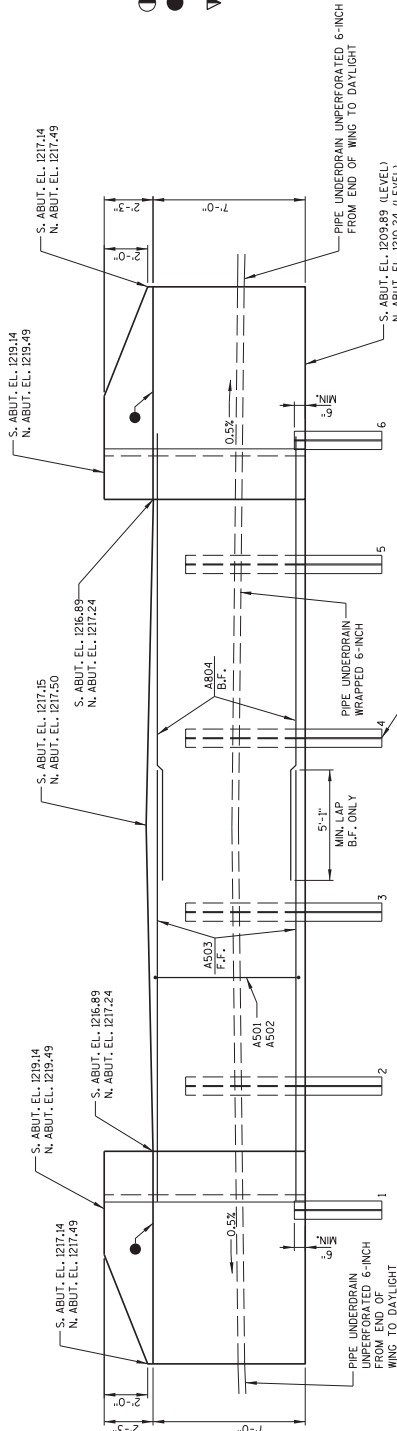
NO.	DATE	REVISION	MIG
1	2/6	REDUCE PILE LENGTH	

STATE OF WISCONSIN  
DEPARTMENT OF TRANSPORTATION

STRUCTURE B-03-0209

DESIGNED BY: J. W. B. / J. W. B.  
 DRAWN BY: J. W. B. / J. W. B.  
 CHECKED BY: J. W. B. / J. W. B.  
 SHEET 4 OF 8  
 DETAILS

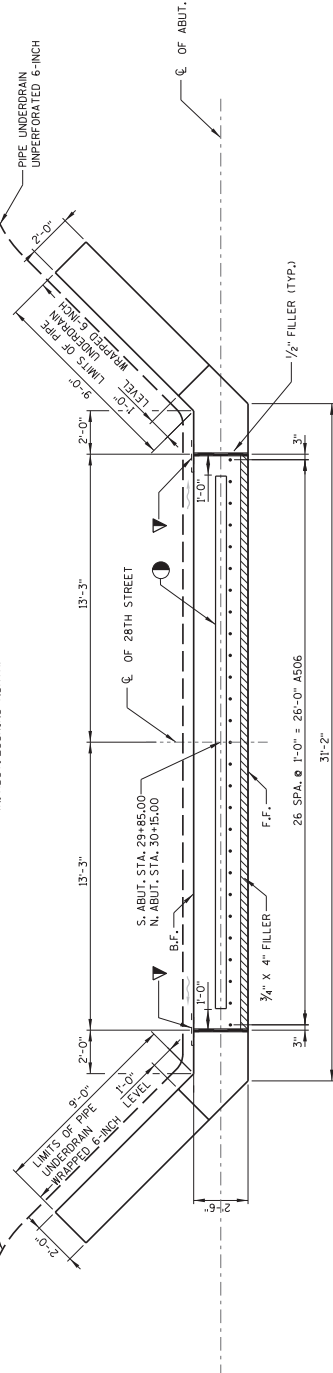
ORIGINAL PLANS PREPARED BY  
 Engineers - Surveyors - Architects  
 CONSULTING ENGINEERS  
 2000 Wisconsin Avenue, Suite 1000  
 Chicago, Illinois, 60601  
 Phone: 773.861.8200  
 www.cbsurveyors.com



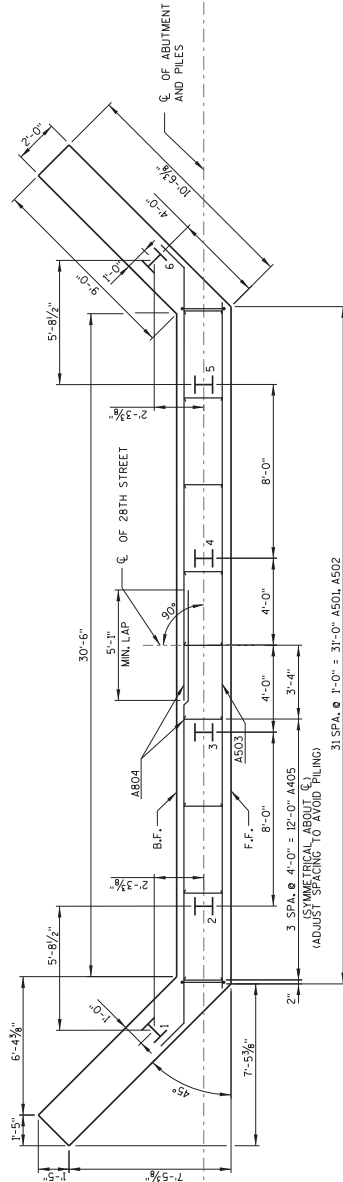
ELEVATION

(S. ABUT. LOOKING SOUTH)  
(N. ABUT. LOOKING NORTH)

21" LONG DRIVEN TO A REQUIRED  
 PILE AS DETERMINED BY THE MODIFIED  
 GATES DYNAMIC FORMULA.



PLAN



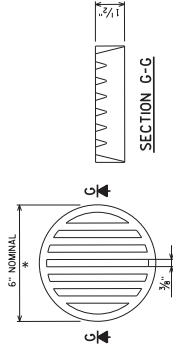
PILE LAYOUT

8

**LEGEND**

- ◇ THESE BARS MAY BE PLACED AFTER CONCRETE IS POURED, BUT BEFORE INITIAL SET HAS TAKEN PLACE.
- ◆ PIPE UNDERDRRAIN WRAPPED (6-INCH), TO BE PLACED AT AN ELEVATION AND SLOPED 0.5% MIN. TO ALLOW FOR SUITABLE DRAINAGE. ATTACH RODENT SHIELD AT ENDS OF PIPE UNDERDRRAIN. SEE DETAIL THIS SHEET.
- ▽ 18" RUBBERIZED MEMBRANE WATERPROOFING SEAL ALL HORIZONTAL JOINTS ON BACKFACE.
- KEYED CONST. JOINT FORMED BY BEVELED 2" x 6".
- OPT. KEYED CONST. JOINT FORMED BY BEVELED 2" x 6" WITH MEMBRANE ON BACKFACE.
- 3/4" V GROOVE ON F.F. OF WING WALL.
- ▽ VERTICAL 18" RUBBERIZED MEMBRANE WATERPROOFING TO EXTEND FROM BRIDGE SEAT TO TOP OF WING WALL.

Addendum No. 01  
ID 8333-00-70  
Revised Sheet 28  
February 6, 2020

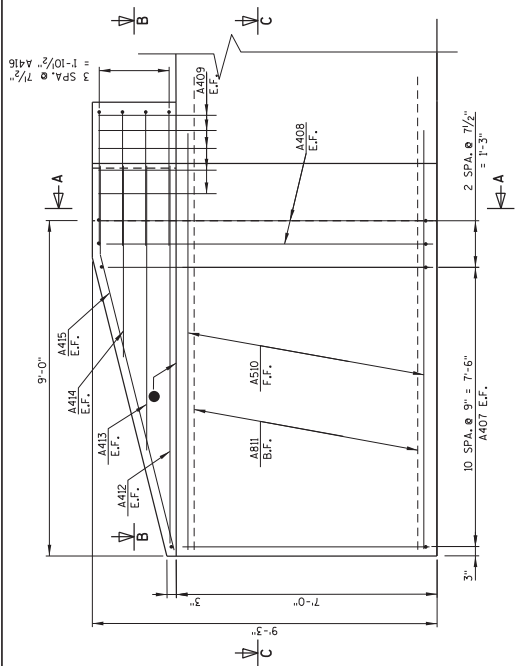


\* DIMENSIONS ARE APPROXIMATE. THE GRATE IS SIZED TO FIT INTO A PIPE COUPLING. ORIENT SO SLOTS ARE VERTICAL.

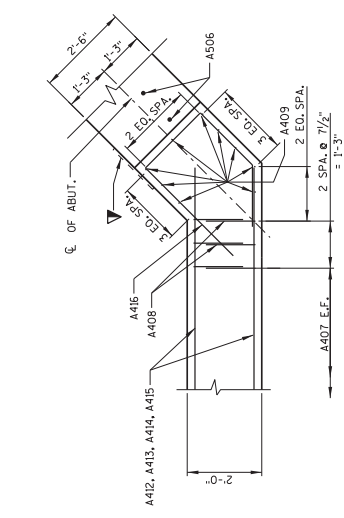
THE RODENT SHIELD, PIPE COUPLING AND SCREWS SHALL BE CONSIDERED INCIDENTAL TO THE BID ITEM "PIPE UNDERDRRAIN WRAPPED 6-INCH".

THE RODENT SHIELD SHALL BE PVC GRATE, SIMILAR TO THIS DETAIL. THE GRATE IS COMMERCIALY AVAILABLE AS A FLOOR STRAINER. A PIPE COUPLING IS REQUIRED FOR THE ATTACHMENT OF THIS SCREEN TO THE EXPOSED END OF THE PIPE UNDERDRRAIN. THE SHIELD SHALL BE FASTENED TO THE PIPE COUPLING WITH TWO OR MORE NO. 10 x 1-INCH SHEET METAL SCREWS.

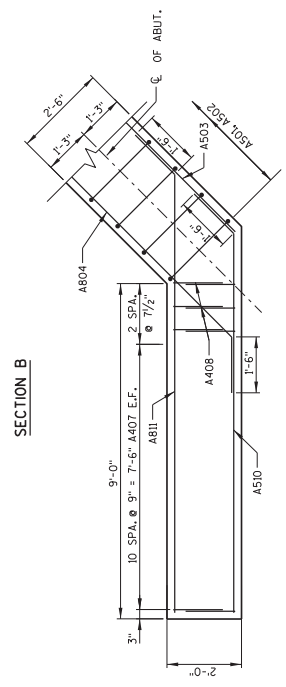
**RODENT SHIELD DETAIL**



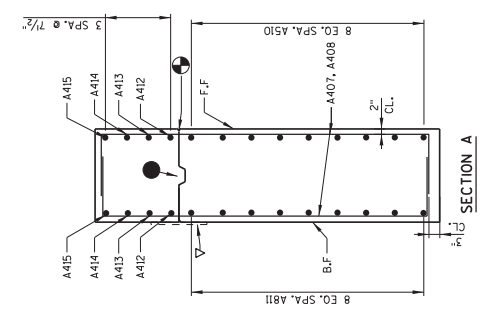
**ELEVATION - WING**



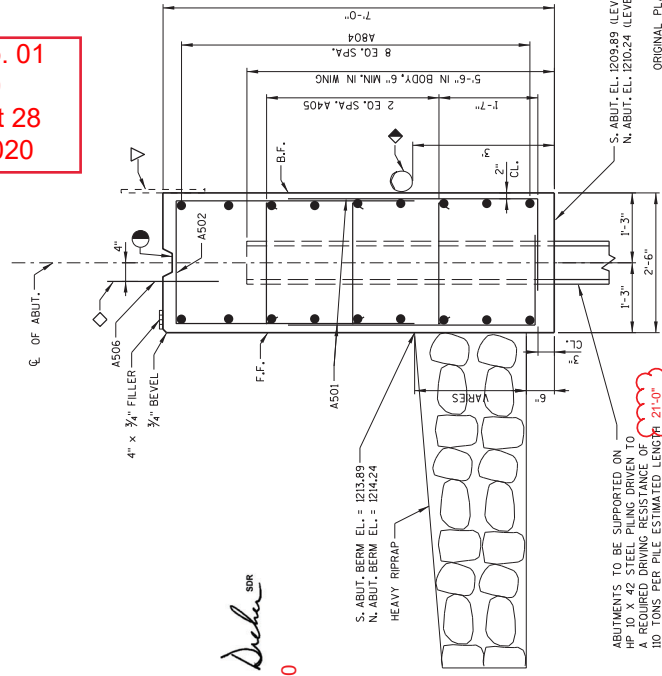
**SECTION B**



**SECTION C**



**SECTION A**



**TYPICAL SECTION THRU ABUT. BODY**

ABUTMENTS TO BE SUPPORTED ON HP 10 X 42 STEEL PILING DRIVEN TO 100 TONS PER PILE ESTIMATED LENGTH 21'-0"

*William C. Decker SR*  
02/06/20

1	2/6	REVISE PILE LENGTH	MUG
NO.	DATE	REVISION	BY
STATE OF WISCONSIN DEPARTMENT OF TRANSPORTATION			
STRUCTURE B-03-0209			
DESIGNED BY	DPB	PERMANENT	MUG
ABUTMENT			
WING DETAILS			
			SHEET 5 OF 8
			28





Proposal Schedule of Items

Proposal ID: 20200211035 Project(s): 8317-00-70, 8328-00-70, 8333-00-70

Federal ID(s): N/A, N/A, N/A

SECTION: 0001

Contract Items

Alt Set ID:

Alt Mbr ID:

Proposal Line Number	Item ID Description	Approximate Quantity and Units	Unit Price	Bid Amount
0002	203.0700.S Removing Old Structure Over Waterway With Debris Capture System (station) 01. 10+00.00	LS	LUMP SUM	_____.
0004	203.0700.S Removing Old Structure Over Waterway With Debris Capture System (station) 02. 30+00.00	LS	LUMP SUM	_____.
0006	203.0700.S Removing Old Structure Over Waterway With Debris Capture System (station) 03. 20+00.00	LS	LUMP SUM	_____.
0008	205.0100 Excavation Common	379.000 CY	_____.	_____.
0010	206.1000 Excavation for Structures Bridges (structure) 01. B-03-0207	LS	LUMP SUM	_____.
0012	206.1000 Excavation for Structures Bridges (structure) 02. B-03-0208	LS	LUMP SUM	_____.
0014	206.1000 Excavation for Structures Bridges (structure) 02. B-03-0209	LS	LUMP SUM	_____.
0016	208.0100 Borrow	554.000 CY	_____.	_____.
0018	210.1500 Backfill Structure Type A	886.000 TON	_____.	_____.
0020	213.0100 Finishing Roadway (project) 01. 8317-00-70	1.000 EACH	_____.	_____.
0022	213.0100 Finishing Roadway (project) 02. 8333-00-70	1.000 EACH	_____.	_____.
0024	213.0100 Finishing Roadway (project) 03. 8328-00-70	1.000 EACH	_____.	_____.
0026	305.0110 Base Aggregate Dense 3/4-Inch	75.000 TON	_____.	_____.



## Proposal Schedule of Items

Proposal ID: 20200211035 Project(s): 8317-00-70, 8328-00-70, 8333-00-70

Federal ID(s): N/A, N/A, N/A

SECTION: 0001

Contract Items

Alt Set ID:

Alt Mbr ID:

Proposal Line Number	Item ID Description	Approximate Quantity and Units	Unit Price	Bid Amount
0028	305.0120 Base Aggregate Dense 1 1/4-Inch	730.000 TON	_____.	_____.
0030	455.0605 Tack Coat	26.000 GAL	_____.	_____.
0032	465.0105 Asphaltic Surface	250.000 TON	_____.	_____.
0034	502.0100 Concrete Masonry Bridges	394.000 CY	_____.	_____.
0036	502.3200 Protective Surface Treatment	389.000 SY	_____.	_____.
0038	505.0400 Bar Steel Reinforcement HS Structures	13,240.000 LB	_____.	_____.
0040	505.0600 Bar Steel Reinforcement HS Coated Structures	42,700.000 LB	_____.	_____.
0042	512.1000 Piling Steel Sheet Temporary	4,470.000 SF	_____.	_____.
0044	513.4061 Railing Tubular Type M	239.000 LF	_____.	_____.
0046	516.0500 Rubberized Membrane Waterproofing	108.000 SY	_____.	_____.
0050	550.1100 Piling Steel HP 10-Inch X 42 Lb	212.000 LF	_____.	_____.
0052	550.2104 Piling CIP Concrete 10 3/4 X 0.25-Inch	1,380.000 LF	_____.	_____.
0054	606.0300 Riprap Heavy	295.000 CY	_____.	_____.
0056	612.0206 Pipe Underdrain Unperforated 6-Inch	120.000 LF	_____.	_____.
0058	612.0406 Pipe Underdrain Wrapped 6-Inch	302.000 LF	_____.	_____.
0060	618.0100 Maintenance And Repair of Haul Roads (project) .03 8328-00-70	1.000 EACH	_____.	_____.





Proposal Schedule of Items

Proposal ID: 20200211035 Project(s): 8317-00-70, 8328-00-70, 8333-00-70

Federal ID(s): N/A, N/A, N/A

SECTION: 0001

Contract Items

Alt Set ID:

Alt Mbr ID:

Proposal Line Number	Item ID Description	Approximate Quantity and Units	Unit Price	Bid Amount
0062	618.0100 Maintenance And Repair of Haul Roads (project) 01. 8317-00-70	1.000 EACH	_____.	_____.
0064	618.0100 Maintenance And Repair of Haul Roads (project) 02. 8333-00-70	1.000 EACH	_____.	_____.
0066	619.1000 Mobilization	1.000 EACH	_____.	_____.
0068	624.0100 Water	8.000 MGAL	_____.	_____.
0070	625.0500 Salvaged Topsoil	800.000 SY	_____.	_____.
0072	627.0200 Mulching	420.000 SY	_____.	_____.
0074	628.1504 Silt Fence	680.000 LF	_____.	_____.
0076	628.1520 Silt Fence Maintenance	680.000 LF	_____.	_____.
0078	628.1905 Mobilizations Erosion Control	3.000 EACH	_____.	_____.
0080	628.1910 Mobilizations Emergency Erosion Control	3.000 EACH	_____.	_____.
0082	628.2008 Erosion Mat Urban Class I Type B	420.000 SY	_____.	_____.
0084	628.2027 Erosion Mat Class II Type C	380.000 SY	_____.	_____.
0086	628.6005 Turbidity Barriers	120.000 SY	_____.	_____.
0088	628.7504 Temporary Ditch Checks	60.000 LF	_____.	_____.
0090	629.0210 Fertilizer Type B	3.000 CWT	_____.	_____.
0092	630.0120 Seeding Mixture No. 20	34.000 LB	_____.	_____.



Proposal Schedule of Items

Proposal ID: 20200211035 Project(s): 8317-00-70, 8328-00-70, 8333-00-70

Federal ID(s): N/A, N/A, N/A

SECTION: 0001

Contract Items

Alt Set ID:

Alt Mbr ID:

Proposal Line Number	Item ID Description	Approximate Quantity and Units	Unit Price	Bid Amount
0094	630.0500 Seed Water	29.000 MGAL	_____.	_____.
0096	634.0812 Posts Tubular Steel 2x2-Inch X 12-FT	12.000 EACH	_____.	_____.
0098	637.2230 Signs Type II Reflective F	36.000 SF	_____.	_____.
0100	638.2602 Removing Signs Type II	11.000 EACH	_____.	_____.
0102	638.3000 Removing Small Sign Supports	11.000 EACH	_____.	_____.
0104	642.5001 Field Office Type B 01. 8317-00-70	1.000 EACH	_____.	_____.
0106	642.5001 Field Office Type B 02. 8333-00-70	1.000 EACH	_____.	_____.
0108	642.5001 Field Office Type B 03. 8328-00-70	1.000 EACH	_____.	_____.
0110	643.0420 Traffic Control Barricades Type III	1,890.000 DAY	_____.	_____.
0112	643.0705 Traffic Control Warning Lights Type A	2,430.000 DAY	_____.	_____.
0114	643.0900 Traffic Control Signs	810.000 DAY	_____.	_____.
0116	643.5000 Traffic Control	3.000 EACH	_____.	_____.
0118	645.0120 Geotextile Type HR	681.000 SY	_____.	_____.
0120	650.4500 Construction Staking Subgrade	444.000 LF	_____.	_____.
0122	650.5000 Construction Staking Base	444.000 LF	_____.	_____.
0124	650.6500 Construction Staking Structure Layout (structure) 01. B-03-0207	LS	LUMP SUM	_____.



Proposal Schedule of Items

Proposal ID: 20200211035 Project(s): 8317-00-70, 8328-00-70, 8333-00-70

Federal ID(s): N/A, N/A, N/A

SECTION: 0001

Contract Items

Alt Set ID:

Alt Mbr ID:

Proposal Line Number	Item ID Description	Approximate Quantity and Units	Unit Price	Bid Amount
0126	650.6500 Construction Staking Structure Layout (structure) 02. B-03-0209	LS	LUMP SUM	_____.
0128	650.6500 Construction Staking Structure Layout (structure) 03. B-03-0208	LS	LUMP SUM	_____.
0130	650.9910 Construction Staking Supplemental Control (project) 01. 8317-00-70	LS	LUMP SUM	_____.
0132	650.9910 Construction Staking Supplemental Control (project) 02. 8333-00-70	LS	LUMP SUM	_____.
0134	650.9910 Construction Staking Supplemental Control (project) 03. 8328-00-70	LS	LUMP SUM	_____.
0136	650.9920 Construction Staking Slope Stakes	444.000 LF	_____.	_____.
0138	690.0150 Sawing Asphalt	44.000 LF	_____.	_____.
0140	715.0502 Incentive Strength Concrete Structures	2,350.000 DOL	1.00000	2,350.00
Section: 0001			Total:	_____.
				Total Bid: _____.

