



Wisconsin Department of Transportation

May 7, 2020

Division of Transportation Systems Development

Bureau of Project Development
4822 Madison Yards Way, 4th Floor South
Madison, WI 53705

Telephone: (608) 266-1631
Facsimile (FAX): (608) 266-8459

NOTICE TO ALL CONTRACTORS:

Proposal #31: 1020-00-75, WISC 2020 272
NW Region, Var Ctys Interstate 94
Thin Polymer (Var)
IH 94
Dunn County

1020-01-89, WISC 2020 274
NW Region, Var Ctys Interstate 94
Thin Polymer (Var)
IH 94
Eau Claire County+

1020-01-86, WISC 2020 273
NW Region, Var Ctys Interstate 94
Front St B550065, STH 35 SB B550066
IH 94
St. Croix County

1190-00-89, WISC 2020 275
NW Region, Var Ctys US Highway 53
WI Central RR B-09-0052 & B-09-0053
USH 53
Chippewa County

Letting of May 12, 2020

This is Addendum No. 01, which provides for the following:

Plan Sheets:

Added Plan Sheets	
Plan Sheet	Plan Sheet Title (brief description of why sheet was added)
57A-B	B-09-52 (incorrect plans shown in plan set)
57C-D	B-09-53 (incorrect plans shown in plan set)

Deleted Plan Sheets	
Plan Sheet	Plan Sheet Title (brief description of why sheet was deleted)
58 – 60	B-9-52 (incorrect plans)
61 - 63	B-9-53 (incorrect plans)

Plan Sheets

The following 8½ x 11-inch sheets are attached and made part of the plans for this proposal:

Added: 57A – 57D

Deleted: 58 - 63

The responsibility for notifying potential subcontractors and suppliers of these changes remains with the prime contractor.

Sincerely,

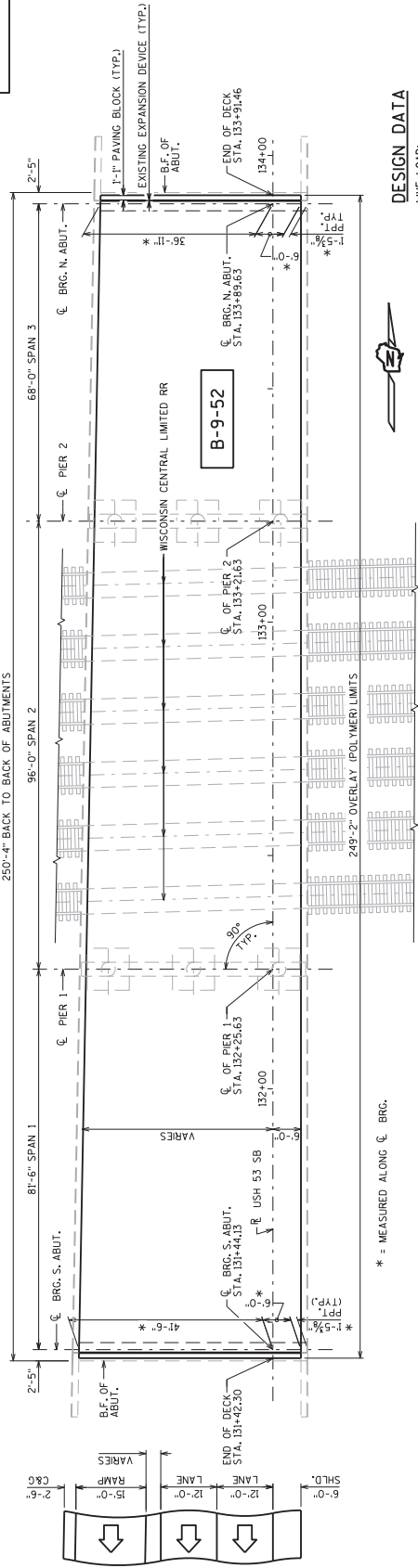
Mike Coleman

Proposal Development Specialist

Proposal Management Section

END OF ADDENDUM

**Addendum No. 01
ID 1190-00-89
Added Sheet 57A
May 7, 2020**



DESIGN DATA

LIVE LOAD:
DESIGN LOADING: HS-20
INVENTORY RATING: HS-17
OPERATING RATING: HS-28
WISCONSIN STANDARD PERMIT VEHICLE (WIS.-SPV): 200 (MPS)

GENERAL NOTES

DRAWINGS SHALL NOT BE SCALED.
DECK SURFACE PREPARATION IS INCLUDED IN THE BID ITEM "POLYMER OVERLAY".
DIMENSIONS SHOWN ARE BASED ON THE ORIGINAL STRUCTURE PLANS.

TOTAL ESTIMATED QUANTITIES

BID ITEM NUMBER	BID ITEMS	UNIT	TOTAL
509.5100.5	POLYMER OVERLAY	SY	1252

STRUCTURE DESIGN CONTACTS:
MAXWELL KULLICK (608) 261-6108
AARON BARK (608) 261-0261

BUREAU OF STRUCTURES
ACCEPTED *William C. Decker* 2/10/20
DATE
DATE
DATE

CHIEF STRUCTURES DESIGN ENGINEER
DATE

STRUCTURE B-9-52

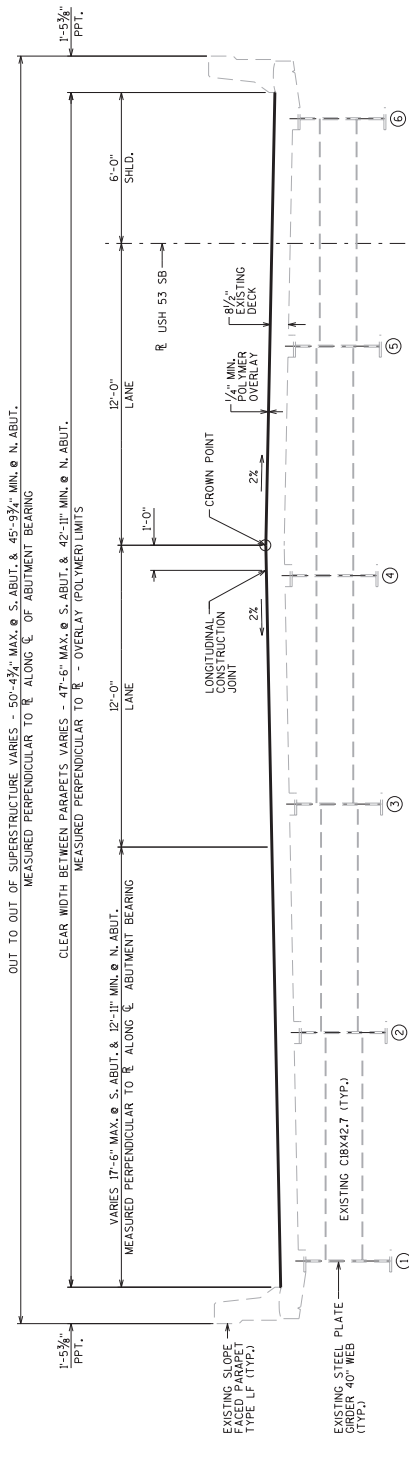
COUNTY CHIPPewa CITY CHIPPewa FALLS

USH 53 SB OVER WISCONSIN CENTRAL LIMITED RR

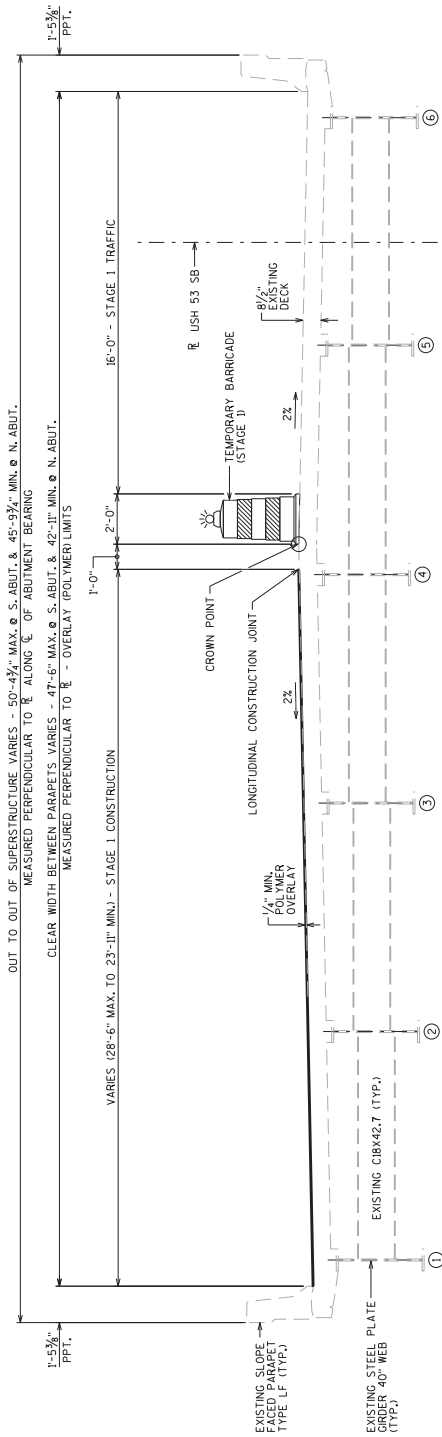
DESIGN SPEC: CHIPPewa FALLS
REGULATION: N/A
DESIGNED BY: MJK
CHECKED BY: MJK

POLYMER OVERLAY
SHEET 1 OF 2
57A

CROSS SECTION THRU ROADWAY - LOOKING NORTH

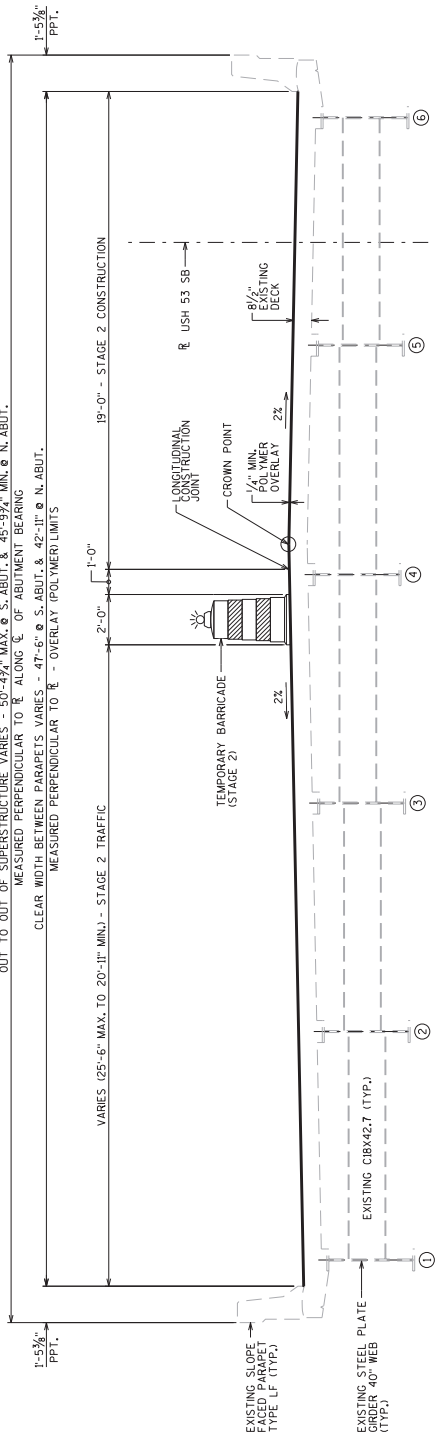


- LIST OF DRAWINGS**
- 1. POLYMER OVERLAY
 - 2. TRAFFIC STAGING



CROSS SECTION THRU ROADWAY - LOOKING NORTH (STAGE 1)

① INDICATES GRIDER NUMBER



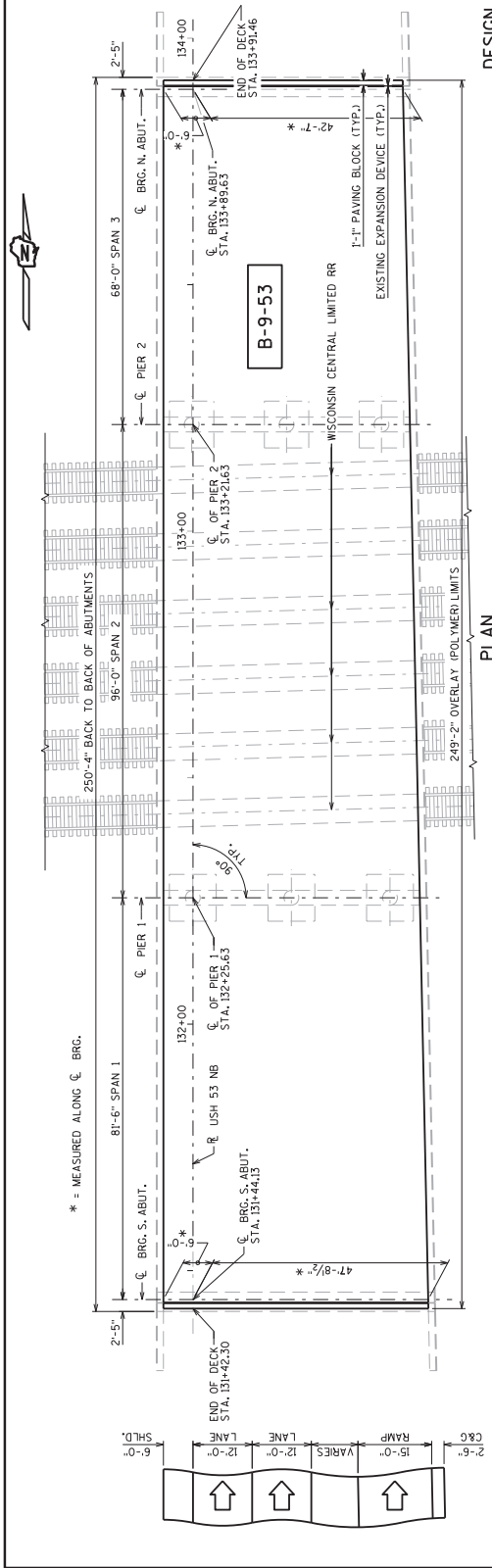
CROSS SECTION THRU ROADWAY - LOOKING NORTH (STAGE 2)

① INDICATES GRIDER NUMBER

Addendum No. 01
ID 1190-00-89
Added Sheet 57B
May 7, 2020

NO.	DATE	REVISION	BY
STATE OF WISCONSIN DEPARTMENT OF TRANSPORTATION STRUCTURES DESIGN SECTION			
STRUCTURE B-9-52			
BRN		DDSC	MJK
SHEET 2			57B
TRAFFIC STAGING			

**Addendum No. 01
ID 1190-00-89
Added Sheet 57C
May 7, 2020**



PLAN

DESIGN DATA

LIVE LOAD:
DESIGN LOADING: HS-20
INVENTORY RATING: HS-16
WISCONSIN STANDARD PERMIT VEHICLE (WS-SPVH 200 (KIPS))

GENERAL NOTES
DRAWINGS SHALL NOT BE SCALED.
DECK SURFACE PREPARATION IS INCLUDED IN THE BID ITEM POLYMER OVERLAY.
DIMENSIONS SHOWN ARE BASED ON THE ORIGINAL STRUCTURE PLANS.

TOTAL ESTIMATED QUANTITIES

BID ITEM NUMBER	BID ITEMS	UNIT	TOTAL
509.5000S	POLYMER OVERLAY	SY	1,416

STRUCTURE DESIGN CONTACTS:
MAXWELL KULLICK (608) 261-6108
AARON BONK (608) 261-0261

8

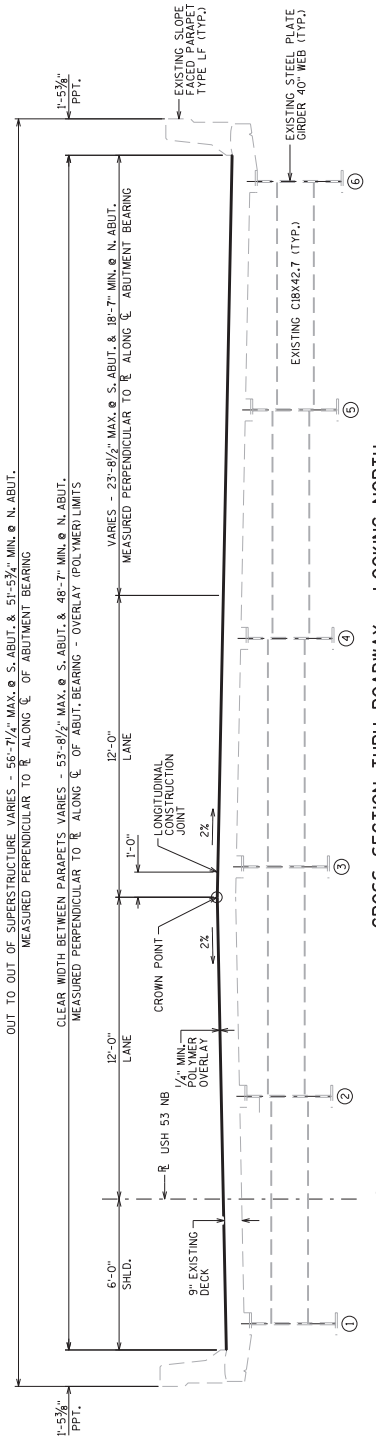
BUREAU OF STRUCTURES
ACCEPTED *William C. Deane* 2/10/20
DATE
DATE
DATE
DATE

CHIEF STRUCTURES DESIGN ENGINEER
DATE

STRUCTURE B-9-53

COUNTY CHIPPewa CITY CHIPPewa FALLS

DESIGN SPEC. REGULATION, N/A
REVISIONS BY
DRAWN DDJ/CKD
CHECKED MJK
DATE

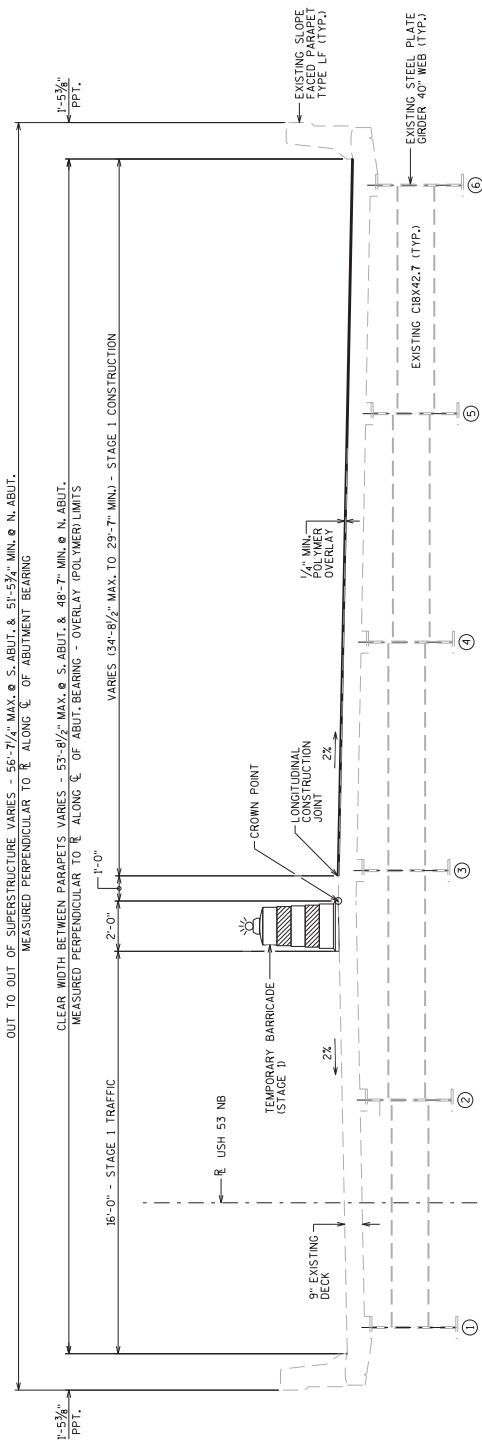


CROSS SECTION THRU ROADWAY - LOOKING NORTH

① INDICATES ORDER NUMBER

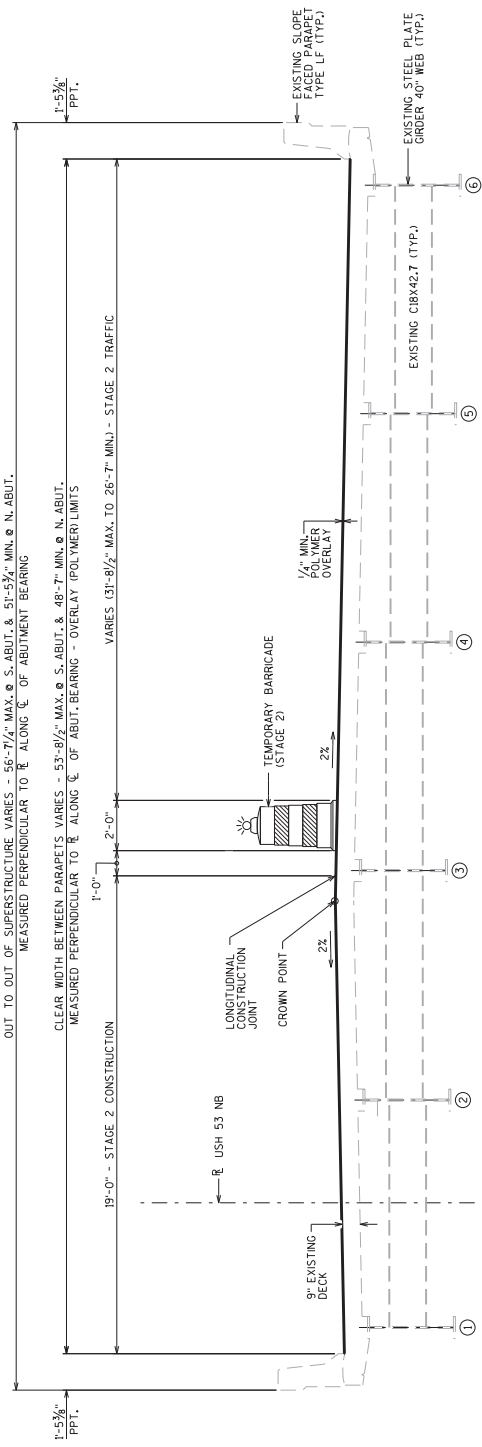
- LIST OF DRAWINGS**
- 1. POLYMER OVERLAY
 - 2. TRAFFIC STAGING

STATE PROJECT NUMBER
1190-00-89



CROSS SECTION THRU ROADWAY - LOOKING NORTH (STAGE 1)

① INDICATES GIRDER NUMBER



CROSS SECTION THRU ROADWAY - LOOKING NORTH (STAGE 2)

① INDICATES GIRDER NUMBER

Addendum No. 01
ID 1190-00-89
Added Sheet 57D
May 7, 2020

NO.	DATE	REVISION	BY
STATE OF WISCONSIN DEPARTMENT OF TRANSPORTATION STRUCTURES DESIGN SECTION			
STRUCTURE B-9-53			
BY	CHKD	APPD	DATE
BRN	DD	CKD	MMJ
TRAFFIC STAGING			SHEET 2
			57D