

HIGHWAY WORK PROPOSAL

Wisconsin Department of Transportation
 DT1502 01/2020 s.66.0901(7) Wis. Stats

Proposal Number: **029**

| <u>COUNTY</u> | <u>STATE PROJECT</u> | <u>FEDERAL</u> | <u>PROJECT DESCRIPTION</u> | <u>HIGHWAY</u> |
|---------------|----------------------|----------------|--|----------------|
| Shawano | 6580-10-71 | N/A | Clintonville - Howard; Herman Creek Crossing B-58-0019 | STH 156 |

ADDENDUM REQUIRED ATTACHED AT BACK

This proposal, submitted by the undersigned bidder to the Wisconsin Department of Transportation, is in accordance with the advertised request for proposals. The bidder is to furnish and deliver all materials, and to perform all work for the improvement of the designated project in the time specified, in accordance with the appended Proposal Requirements and Conditions.

| | |
|---|--|
| Proposal Guaranty Required: \$40,000.00 Payable to: Wisconsin Department of Transportation | Attach Proposal Guaranty on back of this PAGE. |
| Bid Submittal Date: January 11, 2022 Time (Local Time): 11:00 am | Firm Name, Address, City, State, Zip Code <h3 style="margin: 0;">SAMPLE</h3> <h3 style="margin: 0;">NOT FOR BIDDING PURPOSES</h3> |
| Contract Completion Time 45 Working Days | This contract is exempt from federal oversight. |
| Assigned Disadvantaged Business Enterprise Goal 0% | |

This certifies that the undersigned bidder, duly sworn, is an authorized representative of the firm named above; that the bidder has examined and carefully prepared the bid from the plans, Highway Work Proposal, and all addenda, and has checked the same in detail before submitting this proposal or bid; and that the bidder or agents, officer, or employees have not, either directly or indirectly, entered into any agreement, participated in any collusion, or otherwise taken any action in restraint of free competitive bidding in connection with this proposal bid.

Do not sign, notarize, or submit this Highway Work Proposal when submitting an electronic bid on the Internet.

Subscribed and sworn to before me this date _____

 (Signature, Notary Public, State of Wisconsin)

 (Bidder Signature)

 (Print or Type Name, Notary Public, State Wisconsin)

 (Print or Type Bidder Name)

 (Date Commission Expires)

 (Bidder Title)

Notary Seal

| | |
|--|--------------------------------|
| Type of Work: Excavation Common, Borrow, Base Aggregate Dense, Breaker Run, Pavement Marking Epoxy, Construction Staking, Asphaltic Surface, Tack Coat, HS Bar Steel Reinforcement, HS Bar Steel Reinforcement Coated | For Department Use Only |
| Notice of Award Dated | Date Guaranty Returned |

**PLEASE ATTACH
PROPOSAL GUARANTY HERE**

Effective with November 2007 Letting

PROPOSAL REQUIREMENTS AND CONDITIONS

The bidder, signing and submitting this proposal, agrees and declares as a condition thereof, to be bound by the following conditions and requirements.

If the bidder has a corporate relationship with the proposal design engineering company, the bidder declares that it did not obtain any facts, data, or other information related to this proposal from the design engineering company that was not available to all bidders.

The bidder declares that they have carefully examined the site of, and the proposal, plans, specifications and contract forms for the work contemplated, and it is assumed that the bidder has investigated and is satisfied as to the conditions to be encountered, as to the character, quality, and quantities of work to be performed and materials to be furnished, and as to the requirements of the specifications, special provisions and contract. It is mutually agreed that submission of a proposal shall be considered conclusive evidence that the bidder has made such examination.

The bidder submits herewith a proposal guaranty in proper form and amount payable to the party as designated in the advertisement inviting proposals, to be retained by and become the property of the owner of the work in the event the undersigned shall fail to execute the contract and contract bond and return the same to the office of the engineer within fourteen (14) days after having been notified in writing to do so; otherwise to be returned.

The bidder declares that they understand that the estimate of quantities in the attached schedule is approximate only and that the attached quantities may be greater or less in accordance with the specifications.

The bidder agrees to perform the said work, for and in consideration of the payment of the amount becoming due on account of work performed, according to the unit prices bid in the following schedule, and to accept such amounts in full payment of said work.

The bidder declares that all of the said work will be performed at their own proper cost and expense, that they will furnish all necessary materials, labor, tools, machinery, apparatus, and other means of construction in the manner provided in the applicable specifications and the approved plans for the work together with all standard and special designs that may be designed on such plans, and the special provisions in the contract of which this proposal will become a part, if and when accepted. The bidder further agrees that the applicable specifications and all plans and working drawings are made a part hereof, as fully and completely as if attached hereto.

The bidder, if awarded the contract, agrees to begin the work not later than ten (10) days after the date of written notification from the engineer to do so, unless otherwise stipulated in the special provisions.

The bidder declares that if they are awarded the contract, they will execute the contract agreement and begin and complete the work within the time named herein, and they will file a good and sufficient surety bond for the amount of the contract for performance and also for the full amount of the contract for payment.

The bidder, if awarded the contract, shall pay all claims as required by Section 779.14, Statutes of Wisconsin, and shall be subject to and discharge all liabilities for injuries pursuant to Chapter 102 of the Statutes of Wisconsin, and all acts amendatory thereto. They shall further be responsible for any damages to property or injury to persons occurring through their own negligence or that of their employees or agents, incident to the performance of work under this contract, pursuant to the Standard Specifications for Road and Bridge Construction applicable to this contract.

In connection with the performance of work under this contract, the contractor agrees to comply with all applicable state and federal statutes relating to non-discrimination in employment. No otherwise qualified person shall be excluded from employment or otherwise be subject to discrimination in employment in any manner on the basis of age, race, religion, color, gender, national origin or ancestry, disability, arrest or conviction record (in keeping with s.111.32), sexual orientation, marital status, membership in the military reserve, honesty testing, genetic testing, and outside use of lawful products. This provision shall include, but not be limited to the following: employment, upgrading, demotion or transfer; recruitment or recruitment advertising; layoff or termination; rates of pay or other forms of compensation, and selection for training, including apprenticeship. The contractor further agrees to ensure equal opportunity in employment to all applicants and employees and to take affirmative action to attain a representative workforce.

The contractor agrees to post notices and posters setting forth the provisions of the nondiscrimination clause, in a conspicuous and easily accessible place, available for employees and applicants for employment.

If a state public official (section 19.42, Stats.) or an organization in which a state public official holds at least a 10% interest is a party to this agreement, this contract is voidable by the state unless appropriate disclosure is made to the State of Wisconsin Ethics Board.

Effective with August 2015 Letting

BID PREPARATION

Preparing the Proposal Schedule of Items

A General

- (1) Obtain bidding proposals as specified in section 102 of the standard specifications prior to 11:45 AM of the last business day preceding the letting. Submit bidding proposals using one of the following methods:
 1. Electronic bid on the internet.
 2. Electronic bid on a printout with accompanying diskette or CD ROM.
 3. Paper bid under a waiver of the electronic submittal requirements.

- (2) Bids submitted on a printout with accompanying diskette or CD ROM or paper bids submitted under a waiver of the electronic submittal requirements govern over bids submitted on the internet.

- (3) The department will provide bidding information through the department's web site at:
<https://wisconsindot.gov/Pages/doing-bus/contractors/hcci/bid-let.aspx>

The contractor is responsible for reviewing this web site for general notices as well as information regarding proposals in each letting. The department will also post special notices of all addenda to each proposal through this web site no later than 4:00 PM local time on the Thursday before the letting. Check the department's web site after 5:00 PM local time on the Thursday before the letting to ensure all addenda have been accounted for before preparing the bid. When bidding using methods 1 and 2 above, check the Bid Express™ on-line bidding exchange at <http://www.bidx.com/> after 5:00 PM local time on the Thursday before the letting to ensure that the latest schedule of items Expedite file (*.ebs or *.00x) is used to submit the final bid.

- (4) Interested parties can subscribe to the Bid Express™ on-line bidding exchange by following the instructions provided at the www.bidx.com web site or by contacting:

Info Tech Inc.
5700 SW 34th Street, Suite 1235
Gainesville, FL 32608-5371
email: <mailto:customer.support@bidx.com>

- (5) The department will address equipment and process failures, if the bidder can demonstrate that those failures were beyond their control.
- (6) Contractors are responsible for checking on the issuance of addenda and for obtaining the addenda. Notice of issuance of addenda is posted on the department's web site at:
<https://wisconsindot.gov/Pages/doing-bus/contractors/hcci/bid-let.aspx>

or by calling the department at (608) 266-1631. Addenda can ONLY be obtained from the departments web site listed above or by picking up the addenda at the Bureau of Highway Construction, 4th floor, 4822 Madison Yards Way, Madison, WI, during regular business hours.

- (7) Addenda posted after 5:00 PM on the Thursday before the letting will be emailed to the eligible bidders for that proposal. All eligible bidders shall acknowledge receipt of the addenda whether they are bidding on the proposal or not. Not acknowledging receipt may jeopardize the awarding of the project.

B Submitting Electronic Bids

B.1 On the Internet

- (1) Do the following before submitting the bid:
 1. Have a properly executed annual bid bond on file with the department.

2. Have a digital ID on file with and enabled by Info Tech Inc. Using this digital ID will constitute the bidder's signature for proper execution of the bidding proposal.
- (2) In lieu of preparing, delivering, and submitting the proposal as specified in 102.6 and 102.9 of the standard specifications, submit the proposal on the internet as follows:
 1. Download the latest schedule of items reflecting all addenda from the Bid Express™ web site.
 2. Use Expedite™ software to enter a unit price for every item in the schedule of items.
 3. Submit the bid according to the requirements of Expedite™ software and the Bid Express™ web site. Do not submit a bid on a printout with accompanying diskette or CD ROM or a paper bid. If the bidder does submit a bid on a printout with accompanying diskette or a paper bid in addition to the internet submittal, the department will disregard the internet bid.
 4. Submit the bid before the hour and date the Notice to Contractors designates.
 5. Do not sign, notarize, and return the bidding proposal described in 102.2 of the standard specifications.
- (3) The department will not consider the bid accepted until the hour and date the Notice to Contractors designates.

B.2 On a Printout with Accompanying Diskette or CD ROM

- (1) Download the latest schedule of items from the Wisconsin pages of the Bid Express™ web site reflecting the latest addenda posted on the department's web site at:
<https://wisconsindot.gov/Pages/doing-bus/contractors/hcci/bid-let.aspx>
Use Expedite™ software to prepare and print the schedule of items. Provide a valid amount for all price fields. Follow instructions and review the help screens provided on the Bid Express™ web site to assure that the schedule of items is prepared properly.
- (2) Staple an 8 1/2 by 11 inch printout of the Expedite™ generated schedule of items to the other proposal documents submitted to the department as a part of the bidder's sealed bid. As a separate submittal, not in the sealed bid envelop but due at the same time and place as the sealed bid, also provide the Expedite™ generated schedule of items on a 3 1/2 inch computer diskette or CD ROM. Label each diskette or CD ROM with the bidder's name, the 4 character department-assigned bidder identification code from the top of the bidding proposal, and a list of the proposal numbers included on that diskette or CD ROM as indicated in the following example:

Bidder Name

BN00

Proposals: 1, 12, 14, & 22

- (3) If bidding on more than one proposal in the letting, the bidder may include all proposals for that letting on one diskette or CD ROM. Include only submitted proposals with no incomplete or other files on the diskette or CD ROM.
- (4) The bidder-submitted printout of the Expedite™ generated schedule of items is the governing contract document and must conform to the requirements of section 102 of the standard specifications. If a printout needs to be altered, cross out the printed information with ink or typewriter and enter the new information and initial it in ink. If there is a discrepancy between the printout and the diskette or CD ROM, the department will analyze the bid using the printout information.
- (5) In addition to the reasons specified in section 102 of the standard specifications, proposals are irregular and the department may reject them for one or more of the following:
 1. The check code printed on the bottom of the printout of the Expedite™ generated schedule of items is not the same on each page.
 2. The check code printed on the printout of the Expedite™ generated schedule of items is not the same as the check code for that proposal provided on the diskette or CD ROM.

3. The diskette or CD ROM is not submitted at the time and place the department designates.

C Waiver of Electronic Submittal

- (1) The bidder may request a waiver of the electronic submittal requirements. Submit a written request for a waiver in lieu of bids submitted on the internet or on a printout with accompanying diskette or CD ROM. Use the waiver that was included with the paper bid document sent to the bidder or type up a waiver on the bidder's letterhead. The department will waive the electronic submittal requirements for a bidding entity (individual, partnership, joint venture, corporation, or limited liability company) for up to 4 individual proposals in a calendar year. The department may allow additional waivers for equipment malfunctions.
- (2) Submit a schedule of items on paper conforming to section 102 of the standard specifications. The department charges the bidder a \$75 administrative fee per proposal, payable at the time and place the department designates for receiving bids, to cover the costs of data entry. The department will accept a check or money order payable to: "Wisconsin, Dept. of Transportation."
- (3) In addition to the reasons specified in section 102 of the standard specifications, proposals are irregular and the department may reject them for one or more of the following:
 1. The bidder fails to provide the written request for waiver of the electronic submittal requirements.
 2. The bidder fails to pay the \$75 administrative fee before the time the department designates for the opening of bids unless the bidder requests on the waiver that they be billed for the \$75.
 3. The bidder exceeds 4 waivers of electronic submittal requirements within a calendar year.
- (4) In addition to the reasons specified in section 102 of the standard specifications, the department may refuse to issue bidding proposals for future contracts to a bidding entity that owes the department administrative fees for a waiver of electronic submittal requirements.

PROPOSAL BID BOND

DT1303 1/2006

Wisconsin Department of Transportation

| | | |
|-------------------|------------------------------------|--------------|
| Proposal Number | Project Number | Letting Date |
| Name of Principal | | |
| Name of Surety | State in Which Surety is Organized | |

We, the above-named Principal and the above-named Surety, are held and firmly bound unto the State of Wisconsin in the sum equal to the Proposal Guaranty for the total bid submitted for the payment to be made; we jointly and severally bind ourselves, our heirs, executors, administrators, successors and assigns. The condition of this obligation is that the Principal has submitted a bid proposal to the State of Wisconsin acting through the Department of Transportation for the improvement designated by the Proposal Number and Letting Date indicated above.

If the Principal is awarded the contract and, within the time and manner required by law after the prescribed forms are presented for signature, enters into a written contract in accordance with the bid, and files the bond with the Department of Transportation to guarantee faithful performance and payment for labor and materials, as required by law, or if the Department of Transportation shall reject all bids for the work described, then this obligation shall be null and void; otherwise, it shall be and remain in full force and effect. In the event of failure of the Principal to enter into the contract or give the specified bond, the Principal shall pay to the Department of Transportation **within 10 business days of demand** a total equal to the Proposal Guaranty as liquidated damages; the liability of the Surety continues for the full amount of the obligation as stated until the obligation is paid in full.

The Surety, for value received, agrees that the obligations of it and its bond shall not be impaired or affected by any extension of time within which the Department of Transportation may accept the bid; and the Surety does waive notice of any such extension.

IN WITNESS, the Principal and Surety have agreed and have signed by their proper officers and have caused their corporate seals to be affixed this date: **(DATE MUST BE ENTERED)**

PRINCIPAL

(Company Name) **(Affix Corporate Seal)**

(Signature and Title)

(Company Name)

(Signature and Title)

(Company Name)

(Signature and Title)

(Company Name)

(Signature and Title)

(Name of Surety) **(Affix Seal)**

(Signature of Attorney-in-Fact)

NOTARY FOR PRINCIPAL

NOTARY FOR SURETY

(Date)

(Date)

State of Wisconsin)
) ss.
_____ County)

State of Wisconsin)
) ss.
_____ County)

On the above date, this instrument was acknowledged before me by the named person(s).

On the above date, this instrument was acknowledged before me by the named person(s).

(Signature, Notary Public, State of Wisconsin)

(Signature, Notary Public, State of Wisconsin)

(Print or Type Name, Notary Public, State of Wisconsin)

(Print or Type Name, Notary Public, State of Wisconsin)

(Date Commission Expires)

(Date Commission Expires)

Notary Seal

Notary Seal

IMPORTANT: A certified copy of Power of Attorney of the signatory agent must be attached to the bid bond.

CERTIFICATE OF ANNUAL BID BOND

DT1305 8/2003

Wisconsin Department of Transportation

| |
|--|
| Time Period Valid (From/To) |
| Name of Surety |
| Name of Contractor |
| Certificate Holder Wisconsin Department of Transportation |

This is to certify that an annual bid bond issued by the above-named Surety is currently on file with the Wisconsin Department of Transportation.

This certificate is issued as a matter of information and conveys no rights upon the certificate holder and does not amend, extend or alter the coverage of the annual bid bond.

Cancellation: Should the above policy be cancelled before the expiration date, the issuing surety will give thirty (30) days written notice to the certificate holder indicated above.

(Signature of Authorized Contractor Representative)

(Date)

DECEMBER 2000

**CERTIFICATION REGARDING DEBARMENT, SUSPENSION, AND OTHER
RESPONSIBILITY MATTERS - PRIMARY COVERED TRANSACTIONS**

Instructions for Certification

1. By signing and submitting this proposal, the prospective contractor is providing the certification set out below.
2. The inability of a person to provide the certification required below will not necessarily result in denial of participation in this covered transaction. The prospective contractor shall submit an explanation of why it cannot provide the certification set out below. The certification or explanation will be considered in connection with the department or agency's determination whether to enter into this transaction. However, failure of the prospective contractor to furnish a certification or an explanation shall disqualify such person from participation in this transaction.
3. The certification in this clause is a material representation of fact upon which reliance was placed when the department determined to enter into this transaction. If it is later determined that the contractor knowingly rendered an erroneous certification in addition to other remedies available to the Federal Government the department may terminate this transaction for cause or default.
4. The prospective contractor shall provide immediate written notice to the department to whom this proposal is submitted if at any time the prospective contractor learns that its certification was erroneous when submitted or has become erroneous by reason of changed circumstances.
5. The terms "covered transaction," "debarred," "suspended," "ineligible," "lower tier covered transaction," "participant," "person," "primary covered transaction," "principal," "proposal," and "voluntarily excluded," as used in this clause, have the meanings set out in the Definitions and Coverage sections of the rules implementing Executive Order 12549. You may contact the department to which this proposal is being submitted for assistance in obtaining a copy of those regulations.
6. The prospective contractor agrees by submitting this proposal that, should this contract be entered into, it shall not knowingly enter into any lower tier covered transaction with a person who is debarred, suspended, declared ineligible, or voluntarily excluded from participation in this covered transaction, unless authorized by the department entering into this transaction.
7. The prospective contractor further agrees by submitting this proposal that it will include the clause titled "Certification Regarding Debarment, Suspension, Ineligibility and Voluntary Exclusion-Lower Tier Covered Transaction," which is included as an addendum to PR-1273 - "Required Contract Provisions Federal Aid Construction Contracts," without

modification, in all lower tier covered transactions and in all solicitations for lower tier covered transactions.

8. The contractor may rely upon a certification of a prospective subcontractor/materials supplier that it is not debarred, suspended, ineligible, or voluntarily excluded from the covered transaction, unless it knows that the certification is erroneous. A contractor may decide the method and frequency by which it determines the eligibility of its principals. Each contractor may, but is not required to, check the Disapproval List (telephone # 608/266/1631).
9. Nothing contained in the foregoing shall be construed to require establishment of a system of records in order to render in good faith the certification required by this clause. The knowledge and information of a contractor is not required to exceed that which is normally possessed by a prudent person in the ordinary course of business dealings.
10. Except for transactions authorized under paragraph 6 of these instructions, if a contractor in a covered transaction knowingly enters into a lower tier covered transaction with a person who is suspended, debarred, ineligible or voluntarily excluded from participation in this transaction, in addition to other remedies available to the Federal Government, the department may terminate this transaction for cause or default.

Certification Regarding Debarment, Suspension, and Other Responsibility Matters - Primary Covered Transactions

- (1) The prospective contractor certifies to the best of its knowledge and belief, that it and its principals:
 - (a) Are not presently debarred, suspended, proposed for debarment, declared ineligible, or voluntarily excluded from covered transactions by any Federal department or agency;
 - (b) Have not within a three-year period preceding this proposal been convicted of or had a civil judgment rendered against them for commission of fraud or a criminal offense in connection with obtaining, attempting to obtain, or performing a public (Federal, State or local) transaction or contract under a public transaction; violation of Federal or State antitrust statutes or commission of embezzlement, theft, forgery, bribery, falsification or destruction of records, making false statements or receiving stolen property;
 - (c) Are not presently indicted for or otherwise criminally or civilly charged by a governmental entity (Federal, State or local) with commission of any of the offense enumerated in paragraph (1)(b) of this certification; and
 - (d) Have not within a three-year period preceding this proposal had one or more public transactions (Federal, State or local) terminated for cause or default.
- (2) Where the prospective contractor is unable to certify to any of the statements in this certification, such prospective contractor shall attach an explanation to this proposal.

Special Provisions

Table of Contents

| Article | Description | Page # |
|----------------|---|---------------|
| 1. | General..... | 2 |
| 2. | Scope of Work..... | 2 |
| 3. | Prosecution and Progress..... | 2 |
| 4. | Traffic. | 3 |
| 5. | Holiday and Special Event Work Restrictions..... | 3 |
| 6. | Utilities..... | 4 |
| 7. | Information to Bidders, U.S. Army Corps of Engineers Section 404 Permit..... | 4 |
| 8. | Environmental Protection, Aquatic Exotic Species Control. | 4 |
| 9. | Construction Over or Adjacent to Navigable Waters. | 5 |
| 10. | Environmental Protection - Dewatering. | 5 |
| 11. | Erosion Control. | 6 |
| 12. | Erosion Control Structures..... | 6 |
| 13. | Notice to Contractor, Notification of Demolition and/or Renovation No Asbestos Found..... | 6 |
| 14. | Public Convenience and Safety. | 7 |
| 15. | Asphaltic Surface. | 7 |
| 16. | Field Office. | 7 |
| 17. | Traffic Control..... | 7 |
| 18. | Temporary Stream Diversion Channel Structure B-58-119, Item SPV.0060.01..... | 8 |

STSP'S Revised July 8, 2021

SPECIAL PROVISIONS

1. General.

Perform the work under this construction contract for Project 6580-10-71, Clintonville – Howard, Herman Creek Crossing B-58-0019, STH 156, Shawano County, Wisconsin as the plans show and execute the work as specified in the State of Wisconsin, Department of Transportation, Standard Specifications for Highway and Structure Construction, 2022 Edition, as published by the department, and these special provisions.

If all or a portion of the plans and special provisions are developed in the SI metric system and the schedule of prices is developed in the US standard measure system, the department will pay for the work as bid in the US standard system.

100-005 (20210708)

2. Scope of Work.

The work under this contract shall consist of removing Structure B-58-0010, constructing Structure B-58-0119, excavation, fill, base aggregate dense, asphalt pavement and all incidental items necessary to complete the work as shown on the plans and included in the proposal and contract.

104-005 (20090901)

3. Prosecution and Progress.

Begin work within 10 calendar days after the engineer issues a written notice to do so.

Provide the time frame for construction of the project within the 2022 construction season to the engineer in writing within a month after executing the contract but at least 14 calendar days before the preconstruction conference. Assure that the time frame is consistent with the contract completion time. Upon approval, the engineer will issue the notice to proceed within 10 calendar days before the beginning of the approved time frame.

To revise the time frame, submit a written request to the engineer at least two weeks before the beginning of the intended time frame. The engineer will approve or deny that request based on the conditions cited in the request and its effect on the department's scheduled resources.

The Notice to Proceed will be issued such that work shall start no later than June 16, 2022, unless otherwise approved by the engineer.

Fish Spawning

There shall be no instream disturbance of Herman Creek as a result of construction activity under or for this contract, from March 1 to June 15, both dates inclusive, in order to avoid adverse impacts upon the spawning of forage fish and bull head.

Any change to this limitation will require submitting a written request by the contractor to the engineer, subsequent review and concurrence by the Department of Natural Resources in the request, and final approval by the engineer. The approval will include all conditions to the request as mutually agreed upon by WisDOT and DNR.

Northern Long-eared Bat (*Myotis septentrionalis*)

Northern Long-eared Bats (NLEB) have the potential to inhabit the project limits because they roost in trees. Roosts may not have been observed on this project, but conditions to support the species exist. The species and all active roosts are protected by the Federal Endangered Species Act. If an individual bat or active roost is encountered during construction operations, stop work and notify the engineer and the WisDOT Regional Environmental Coordinator (REC).

According to the final 4(d) rule issued for the NLEB, the department has determined that the proposed activity may affect, but will not result in prohibited take of the NLEB. The activity involves tree removal but will not occur within 0.25 miles of a known hibernacula, nor will the activity remove a known maternity roost tree or any other tree within 150 feet of a known maternity roost tree.

If additional trees need to be removed, no Clearing shall occur without prior approval from the engineer, following coordination with the WisDOT REC. Additional tree removal beyond the area originally specified will require consultation with the United States Fish and Wildlife Service (USFWS) and may require a bat presence/absence survey. Notify the engineer if additional Clearing cannot be avoided to begin coordination with the WisDOT REC. The WisDOT REC will initiate consultation with the USFWS and determine if a survey is necessary.

Submit a schedule and description of Clearing operations with the ECIP 14 days prior to any Clearing operations. The department will determine, based on schedule and scope of work, what additional erosion control measures shall be implemented prior to the start of Clearing operations, and list those additional measures in the ECIP.

4. Traffic.

Close STH 156 to through traffic during construction operations. Detour traffic on STH 47, STH 29 and STH 55. Posting and maintaining the detour is the responsibility of the contractor.

Maintain access to all roadways and adjacent property owners at all times.

Provide advanced notification of construction operations to local officials and authorities to facilitate the early detection and clearance of incidents that may occur in the project area.

Wisconsin Lane Closure System Advance Notification

Provide the following advance notification to the engineer for incorporation into the Wisconsin Lane Closure System (LCS).

TABLE 108-1 CLOSURE TYPE AND REQUIRED MINIMUM ADVANCE NOTIFICATION

| Closure type with height, weight, or width restrictions (available width, all lanes in one direction < 16 feet) | MINIMUM NOTIFICATION |
|---|-----------------------------|
| Lane and shoulder closures | 7 calendar days |
| Full roadway closures | 7 calendar days |
| Ramp closures | 7 calendar days |
| Detours | 7 calendar days |
| Closure type without height, weight, or width restrictions (available width, all lanes in one direction ≥ 16 feet) | MINIMUM NOTIFICATION |
| Lane and shoulder closures | 3 business days |
| Ramp closures | 3 business days |
| Modifying all closure types | 3 business days |

Discuss LCS completion dates and provide changes in the schedule to the engineer at weekly project meetings in order to manage closures nearing their completion date.

5. Holiday and Special Event Work Restrictions.

Do not perform work on, nor haul materials of any kind along or across any portion of the highway carrying detoured STH 156 traffic, and entirely clear the traveled way and shoulders of such portions of the highway of equipment, barricades, signs, lights, and any other material that might impede the free flow of traffic during the following holiday and special event periods:

- From noon Friday, July 1, 2022 to 6:00 AM Tuesday, July 5, 2022 for Independence Day;
- From noon Friday, September 2, 2022 to 6:00 AM Tuesday, September 6, 2022 for Labor Day.

stp-107-005 (20210113)

STH 156 may remain closed to traffic for the duration of the project, including the above holidays.

6. Utilities.

This contract comes under the provision of Administrative Rule Trans 220.

stp-107-065 (20080501)

Additional detailed information regarding the location of utility facilities is available at the region WisDOT office during normal working hours.

Some of the work described below is dependent on prior work being performed by the contractor at a specific site. In such situations, provide the engineer and the affected utility a good faith notice of when the utility is to start work at the site. Provide this notice 14 to 16 calendar days in advance of when the prior work will be completed, and the site will be available to the utility owner. Follow-up with a confirmation notice to the engineer and the utility owner not less than three working days before the site will be ready for the utility owner to begin its work.

Lumen (formerly Centurytel of Central Wisconsin, LLC DBA CenturyLink) has underground communication facilities running roughly parallel to the highway north of STH 156 and crossing STH 156 at approximately Station 115+17. Prior to the beginning of construction, Lumen plans to relocate the communication facilities between Station 112+25 and Station 115+17 to an offset of approximately 66 feet LT. Lumen plans to replace the pedestal at Station 112+25 offset approximately 36 feet LT. Lumen plans to begin this work in Fall of 2021 and complete it within 65 working days.

Lumen also has an existing pedestal at Station 115+17 at an offset of approximately 65 feet LT that will remain in place and underground communication facilities running roughly parallel to STH 156 with offset varying from approximately 57 feet LT to 63.5 feet LT. Lumen estimates the depth of this facility to be a minimum of 5 feet in the vicinity of the culvert and no conflicts are anticipated.

Lumen (formerly CenturyLink/Level (3) Communications) has underground communication facilities south of STH 156 running roughly parallel to the highway. This cable is located approximately 13 feet below the bottom of the existing creek. No conflicts are anticipated.

Nsight has overhead communication facilities running roughly parallel to STH 156 at an approximate offset of 34 feet LT. Prior to the beginning of construction, Nsight will permanently raise the cable to provide a minimum mid-span ground clearance of 16 feet based on the proposed finished grade. The contractor will need to use caution when working in the proximity of these facilities. Nsight plans to begin this work by May 15, 2022 and complete it within 10 working days.

We Energies Electricity has overhead electric facilities running roughly parallel to STH 156 at an approximate offset of 34 feet RT. Prior to the beginning of construction, We Energies plans to temporarily relocate the overhead electric lines between Station 109+71 and Station 117+17 to an offset of approximately 90 feet RT in the vicinity of the new culvert. We Energies also plans to replace the existing poles at approximate Stations 111+91 RT and 114+52 RT with new permanent 45-foot tall poles and will replace the existing poles at approximate Stations 109+71 RT and 117+71 RT with new permanent 40-foot tall poles. The facilities will remain in the new temporary location for the duration of construction. After completion of construction, the facilities will be relocated to the new poles. We Energies plans to begin this work by April 15, 2022 and complete it within 20 working days.

Wisconsin Public Service (WPS) Gas has an underground 4-inch polyethylene gas main running roughly parallel to STH 156 at an approximate offset of 32 feet LT. The line facility runs under the proposed box culvert, but WPS estimates bury depths are sufficient and no conflicts are anticipated.

7. Information to Bidders, U.S. Army Corps of Engineers Section 404 Permit.

The department has obtained a U.S. Army Corps of Engineers Section 404 permit. Comply with the requirements of the permit in addition to requirements of the special provisions. A copy of the permit is available from the regional office by contacting Preston Bohn at (715) 421-7382.

stp-107-054 (20210708)

8. Environmental Protection, Aquatic Exotic Species Control.

Exotic invasive organisms such as VHS, zebra mussels, purple loosestrife, and Eurasian water milfoil are becoming more prolific in Wisconsin and pose adverse effects to waters of the state. Wisconsin State Statutes 30.07, "Transportation of Aquatic Plants and Animals; Placement of Objects in Navigable

Waters", details the state law that requires the removal of aquatic plants and zebra mussels each time equipment is put into state waters.

At construction sites that involve navigable water or wetlands, use the follow cleaning procedures to minimize the chance of exotic invasive species infestation. Use these procedures for all equipment that comes in contact with waters of the state and/or infested water or potentially infested water in other states.

Ensure that all equipment that has been in contact with waters of the state, or with infested or potentially infested waters, has been decontaminated for aquatic plant materials and zebra mussels before being used in other waters of the state. Before using equipment on this project, thoroughly disinfect all equipment that has come into contact with potentially infested waters. Guidelines from the Wisconsin Department of Natural Resources for disinfection are available at:

<http://dnr.wi.gov/topic/invasives/disinfection.html>

Use the following inspection and removal procedures:

1. Before leaving the contaminated site, wash machinery and ensure that the machinery is free of all soil and other substances that could possibly contain exotic invasive species;
2. Drain all water from boats, trailers, bilges, live wells, coolers, bait buckets, engine compartments, and any other area where water may be trapped;
3. Inspect boat hulls, propellers, trailers and other surfaces. Scrape off any attached mussels, remove any aquatic plant materials (fragments, stems, leaves, seeds, or roots), and dispose of removed mussels and plant materials in a garbage can before leaving the area or invested waters; and
4. Disinfect your boat, equipment and gear by either:
 - 4.1. Washing with ~212 F water (steam clean), or
 - 4.2. Drying thoroughly for five days after cleaning with soap and water and/or high pressure water, or
 - 4.3. Disinfecting with either 200 ppm (0.5 oz per gallon or 1 Tablespoon per gallon) Chlorine for 10-minute contact time or 1:100 solution (38 grams per gallon) of Virkon Aquatic for 20- to 30-minute contact time. Note: Virkon is not registered to kill zebra mussel veligers nor invertebrates like spiny water flea. Therefore, this disinfect should be used in conjunction with a hot water (>104° F) application.

Complete the inspection and removal procedure before equipment is brought to the project site and before the equipment leaves the project site.

stp-107-055 (20130615)

9. Construction Over or Adjacent to Navigable Waters.

The Herman Creek is classified as a state navigable waterway under standard spec 107.19.

stp-107-060 (20171130)

10. Environmental Protection - Dewatering.

Add the following to standard spec 107.18:

If dewatering is required, treat the water to remove suspended sediments by filtration, settlement or other appropriate best management practice prior to discharge. Submit the proposed means and methods of dewatering for each required location for approval as part of the Erosion Control Implementation Plan (ECIP). Include details of how the intake will be managed to not cause an increase in the background level turbidity prior to treatment and any additional measures necessary to prevent sediments from reaching the project limits or wetlands and waterways.

Guidance on Dewatering can be found on the Wisconsin Department of Natural Resources website located in the Storm Water Construction Technical Standards, Dewatering Code #1061. This document can be found at the WisDNR website:

http://dnr.wi.gov/topic/stormwater/standards/const_standards.html

Work includes furnishing all materials, excavation, maintenance, cleaning, disposal of surplus material and removal of the dewatering system and is incidental to contract work.

ncr-107-025 (20160401)

11. Erosion Control.

Add the following to standard spec 107.20:

Perform construction operations in a timely and diligent manner, continuing all construction operations methodically from the initial topsoil stripping operation through the subsequent grading and finishing to minimize the period of exposure to erosion.

Replace topsoil on disturbed areas, including spot locations such as cross drains, driveways, guardrail and terminals, and intersections, immediately after grading is completed within those areas. Complete finishing operations, which includes seed, fertilizer, erosion mat, mulch, and any other permanent erosion control measures required, within 7 calendar days after the placement of topsoil.

ncr-107-050 (20141015)

12. Erosion Control Structures.

Within three calendar days after completing the excavation for a substructure unit, place riprap or other permanent erosion control items required by the contract or deemed necessary by the engineer around the unit at a minimum to a height equivalent to the calculated water elevation resulting from a storm that occurs on the average of once every two years (Q2) as shown on the plan, or as the engineer directs.

In the event that construction activity does not disturb the existing ground below the Q2 elevation, the above timing requirements for permanent erosion control shall be waived.

stp-107-070 (20191121)

13. Notice to Contractor, Notification of Demolition and/or Renovation No Asbestos Found.

Paul M. Garvey, License Number All-117079, inspected Structure B-58-010 for asbestos on November 14, 2019. No regulated Asbestos Containing Material (RACM) was found on this structure. A copy of the inspection report is available from: Preston Bohn, (715) 421-7382, Preston.Bohn@dot.wi.gov.

According to NR447 and DHS159, ensure that DNR or DHS receives a completed Notification of Demolition and/or Renovation (DNR Form 4500-113 (R 4/11), or subsequent revision) via U.S. mail, hand-delivery, or using the online notification system at least 10 working days before beginning any construction or demolition. Pay all associated fees. Provide a copy of the completed 4500-113 form to Preston Bohn, (715) 421-7382, Preston.Bohn@dot.wi.gov and DOT BTS-ESS attn: Hazardous Materials Specialist, PO Box 7965, Madison, WI 53707-7965. In addition, comply with all local or municipal asbestos requirements.

Use the following information to complete WisDNR form 4500-113:

- Site Name: Structure B-58-010, STH 156 over Herman Creek
- Site Address: 2.8 miles east of the junction of STH 156/STH 47
- Ownership Information: WisDOT Transportation North Central Region, 1681 Second Avenue South, Wisconsin Rapids, WI 54495
- Contact: Preston Bohn
- Phone: (715) 421-7382
- Age: 70 years old. This structure was constructed in 1951.
- Area: 909 SF of deck

Insert the following paragraph in Section 6.g.:

If asbestos not previously identified is found or previously non-friable asbestos becomes crumbled, pulverized, or reduced to a powder, stop work immediately, notify the engineer, and the engineer will notify the department's Bureau of Technical Services at (608) 266-1476 for an emergency response as specified in standard spec 107.24. Keep material wet until it is abated or until it is determined to be non-asbestos containing material.

stp-107-125 (20120615)

14. Public Convenience and Safety.

Replace standard spec 107.8 (4) with the following:

Notify the following organizations and departments at least 2 business days before road closures, lane closures, or detours are put into effect:

- Shawano County Sheriff's Department
- Wisconsin State Patrol
- Shawano County Highway Department
- Town of Lessor
- Bonduel Area EMS
- NEW First Responders
- Navarino-Lessor EMS
- Village of Pulaski School District
- Village of Seymour School District
- Village of Bonduel School District
- Kobussen Busses Ltd
- Post Office

The Shawano County Sheriff's Department 911 dispatches all area police, fire and ambulance services, and will relay any notification given by the contractor.

ncr-107-005 (20200729)

15. Asphaltic Surface.

Replace standard spec 465.2 (1) with the following:

Under the Asphaltic Surface bid item submit a mix design. Furnish asphaltic mixture meeting the requirements specified for HMA Pavement Type HMA LT under standard spec 460.2; except the engineer will not require the contractor to conform to the quality management program specified under standard spec 460.2.8.

ncr-465-005 (20160401)

16. Field Office.

Add the following to standard spec 642.3:

Set up the field office within seven days after notice from the engineer.

Provide a parking area large enough to park a minimum of six cars directly adjacent to the field office. The parking area and approach to the field office shall be well drained and consist of a crushed base aggregate or an existing paved surface and shall be ready for use within seven days after the field office is set up.

ncr-642-005 (20160406)

17. Traffic Control.

Add the following to standard spec 643.3.1:

Provide the engineer, Shawano County Highway Department and law enforcement (police, sheriff and State Patrol) the current telephone number(s) that the contractor, or their representative, can be contacted at, at all times, in the event a safety hazard develops. Repair, replace, or restore the damaged or disturbed traffic control devices within two hours from the time notified or made aware of the damaged or disturbed traffic control devices.

Promptly replace all state-owned signs that are removed by the contractor due to interference with construction operations. At no time may stop signs be removed or moved without flag persons present.

ncr-643-005 (20190703)

18. Temporary Stream Diversion Channel Structure B-58-119, Item SPV.0060.01.

A Description

This special provision describes delivering, installing, and maintaining a temporary stream diversion channel to divert flow around construction of Structure B-58-119 according to standard specs 205, 501, and 628 and as herein provided. The following temporary stream channel or pipe lengths are estimated:

| Structure | Temporary Stream Length |
|-----------|-------------------------|
| B- 58-119 | 250 LF |

B Materials

B.1 Polyethylene Sheeting

Polyethylene sheeting shall be 6 mils thick and conform to the requirements of the specification for polyethylene sheeting for Construction, Industrial and Agricultural Applications, ASTM D4397.

B.2 Coarse Aggregate, Size No. 2

The aggregate will be clean concrete aggregate graded according to the requirements as specified under standard spec 501.2.5.4.4. The soundness and wear requirements are deleted from this material.

B.3 Sand Bags

Sand bags shall be according to standard spec 628.2.8.

B.4 Pipe

Pipe material shall meet specifications of standard spec 520.2.1 for the class required for the contractor's equipment during construction.

C Construction Methods

The proposed temporary diversion location and configuration shall be determined by the contractor and approved by the engineer. Install silt fence prior to excavation and maintain during construction to minimize erosion and to prevent siltation of the stream.

C.1 Channel Construction

If a channel is used, properly secure the polyethylene sheeting to prevent it from being moved or dislocated by wind or water. The sheeting shall fully bear on the surrounding soil. Remove all stones, roots, sticks, or other foreign material which would interfere with or penetrate the sheeting prior to placing the sheeting. Overlap adjacent sheets 3 feet, in the direction of flow and the edges sealed with waterproof tape or other approved methods. Patch damaged areas of sheeting by covering with additional sheeting, overlapping a minimum of 3 feet and sealing the edges with waterproof tape or other approved methods. Maintain the polyethylene sheeting and make satisfactory repairs of damaged areas. Remove the temporary stream diversion channel and all its components and fill with the original excavated material and compact that material after structure construction. Coarse Aggregate No. 2 may be used as fill. Dispose of polyethylene sheeting, sand bags, and any excess material. Restore flow to the stream.

C.2 Pipe Construction

Silt fence shall be replaced immediately following backfill of temporary bypass pipe. All disturbed areas outside of silt fence limits shall be immediately restored, seeded with temporary seed mix and covered with Class 1 Urban Type B erosion mat.

Remove the temporary bypass pipe and all its components and fill with the original excavated material and compact that material after structure construction. Restore flow to the stream.

D Measurement

The department will measure Temporary Stream Diversion Channel B-58-119 as each individual unit, acceptably completed.

E Payment

The department will pay for measured quantities at the contract unit price under the following bid items:

| ITEM NUMBER | DESCRIPTION | UNIT |
|-------------|---|------|
| SPV.0060.01 | Temporary Stream Diversion Channel B-58-119 | EACH |

Payment is full compensation for installing and removing temporary bypass, including excavation, backfill, and required materials for chosen diversion method; and for restoring the alignment and flow to the natural or relocated stream.

Erosion control and finishing items such as silt fence, topsoil, seed, fertilizer, and erosion mat will be paid for under separate bid items.

ADDITIONAL SPECIAL PROVISION 4

This special provision does not limit the right of the department, prime contractor, or subcontractors at any tier to withhold payment for work not acceptably completed or work subject to an unresolved contract dispute.

Payment to First-Tier Subcontractors

Within 10 calendar days of receiving a progress payment for work completed by a subcontractor, pay the subcontractor for that work. The prime contractor may withhold payment to a subcontractor if, within 10 calendar days of receipt of that progress payment, the prime contractor provides written notification to the subcontractor and the department documenting "just cause" for withholding payment.

The prime contractor is not allowed to withhold retainage from payments due subcontractors.

Payment to Lower-Tier Subcontractors

Ensure that subcontracting agreements at all tiers provide prompt payment rights to lower-tier subcontractors that parallel those granted first-tier subcontractors in this provision.

Additional Special Provision 6
ASP 6 - Modifications to the standard specifications

Make the following revisions to the standard specifications:

415.3.16 Tolerance in Pavement Thickness

Replace the entire text with the following effective with the November 2021 letting:

415.3.16.1 General

- (1) Construct the plan thickness or thicker. The department will accept pavement thickness based on the results of department-performed acceptance testing conforming to:

| | |
|--------------------------------|-------------------------|
| Magnetic Pulse Induction | CMM 870: ASTM E3209 WTM |
| Probing..... | CMM 870: WTP C-002 |
| Preplacement Measurement | CMM 870: WTP C-003 |

415.3.16.2 Pavement Units

415.3.16.2.1 Basic Units

- (1) Basic unit is defined as a slip formed, single lane, with a minimum lane width of 10 feet, measured, from the pavement edge to the adjacent longitudinal joint; from one longitudinal joint to the next; or between pavement edges if there is no longitudinal joint.

415.3.16.2.2 Special Units

- (2) Establish special units for areas of fillets, intersections, gaps, gores, shoulders, ramps, pavement lanes less than 10 feet wide and other areas not included in basic units.

415.3.16.3 Test Plate Locations

- (1) Place department-furnished test plates. Within 5 business days after paving, enter the sequential number and associated position data into MRS available at:

<http://www.atwoodsystems.com/>

- (2) Contractor will maintain plate location markings for 10 business days after paving.

415.3.16.4 Acceptance Testing

415.3.16.4.1 Basic Units

415.3.16.4.1.2 Magnetic Pulse Induction

- (1) The department will measure thickness within 10 business days of paving. Upon completion of the project thickness testing, the department will provide the test results to the contractor within 5 business days.
- (2) Department will establish a project reference plate at the start of each paving stage. Project reference plate will be measured before each day of testing. Department will notify the contractor of project reference plate locations before testing.
- (3) If the random plate test result falls within 80 to 50 percent pay range specified in 415.5.2, the department will measure the second plate in that unit. The department will notify the contractor immediately if the average of the 6 readings falls within the 80 to 50 percent pay range.
- (4) If an individual random plate test result is more than 1 inch thinner than contract plan thickness, the pavement is unacceptable. Department will determine limits of unacceptable pavement by performing the following:
- The engineer will test each consecutive plate stationed ahead and behind until the thickness test result is plan thickness or greater.
 - The engineer will direct the contractor to core the hardened concrete to determine the extent of the unacceptable area. In each direction, the contractor shall take cores at points approximately 20 feet from the furthest out of specification plate towards the plate that is plan thickness of greater. Once a core is within 80 to 100 percent pay range, the coring is complete and the limits of unacceptable pavement extend from the stationing between the core test results of 80 to 100 percent payment, inclusive of all unacceptable core and plate test results.
 - The contractor shall perform coring according to AASHTO T24. The department will evaluate the results according to AASHTO T148
 - The contractor shall fill core holes with concrete or mortar.

415.3.16.4.2 Special Units**415.3.16.4.2.1 Magnetic Pulse Induction**

- (1) The department will measure thickness within 10 business days of paving. Upon completion of the project thickness testing, the department will provide the test results to the contractor within 5 business days.
- (2) Department will establish a project reference plate at the start of each paving stage. Project reference plate will be measured before each day of testing. Department will notify the contractor of project reference plate locations before testing.
- (3) If the random plate test result falls within 80 to 50 percent pay range specified in 415.5.2, the department will measure the second plate in that unit. The department will notify the contractor immediately if the average of the 6 readings falls within the 80 to 50 percent pay range.
- (4) If an individual random plate test result is more than 1 inch thinner than contract plan thickness, the department will measure the second plate in that unit. If both plates are required to be measured, then all six thickness measurements will be averaged for that unit. If the average of the six measurements is more than 1 inch thinner than contract plan thickness, the pavement is unacceptable.

415.3.16.4.2.2 Probing

- (1) The department will measure slip form special units during concrete placement. Upon completion of the project thickness testing, the department will provide the test results to the contractor within 5 business days.
- (2) Department will probe 2 random locations within the special unit. The average of the two readings will be the reported measurement for the special unit.

415.3.16.4.2.3 Preplacement Measurement

- (1) The department will measure non-slip form special units before concrete placement.
- (2) Thickness corrections will be made to a conforming thickness by reshaping the base aggregate before the pavement is placed.

415.5.2 Adjusting Pay for Thickness

Replace the entire text with the following effective with the November 2021 letting:

- (1) The department will adjust pay for pavement thickness under the Nonconforming Thickness Concrete Pavement administrative item as follows:

| FOR PAVEMENT THINNER THAN PLAN THICKNESS BY: | PERCENT OF THE CONTRACT UNIT PRICE |
|---|---------------------------------------|
| > 1/4 inch but <= 1/2 inch | 80 |
| > 1/2 inch but <= 3/4 inch | 60 |
| > 3/4 inch but <= 1 inch | 50 |

- (2) When pavement of unacceptable final thickness is determined, as specified in 415.3.16.4, the department will direct the contractor to either:
 1. Remove and replace unacceptable concrete pavement to the nearest joint with new concrete pavement of conforming thickness. The department will pay once for the area at the full contract price.
 2. If the unacceptable pavement is less than 100 LF, the department may allow the concrete to remain in place without payment for the unacceptable area.

460.2.6 Recovered Asphaltic Binders

Replace paragraph two with the following effective with the November 2021 letting:

- (2) The contractor may replace virgin binder with recovered binder up to the maximum percentage allowed under 460.2.5 without further testing. When the design percent asphalt binder replaced exceeds the allowable limits in 460.2.5, the contractor must:
 - Document adjustments made to the mix design in the mix design submittal.
 - Submit test results that indicate the mixture's asphaltic binder meets or exceeds the upper and lower temperature grade requirements the bid item designates.
 - If only one recycled asphaltic material source is used, furnish one of the following:
 - Test results from extracted and recovered binder from the resultant mixture.
 - Blending charts that indicate the resultant mixture's high and low temperature PG as an interpolation of the percent binder replaced between the virgin binder's and the recycled asphaltic material source binder's high and low temperature PG.
 - If two or more recycled asphaltic material sources are used, furnish test results from extracted and

recovered binder from the resultant mixture.

501.2.6 Water

Retitle with the following effective with the November 2021 letting:

501.2.6 Mixing Water

501.2.6.2 Requirements

Replace paragraph two with the following effective with the November 2021 letting:

(2) Water from other sources must comply with the following:

| | |
|--|--------------|
| Acidity, maximum of 0.1N NaOH to neutralize 200 mL of water; CMM 870: WTP C-001..... | 2 mL |
| Alkalinity, maximum of 0.1N HCL to neutralize 200 mL of water; CMM 870: WTP C-001..... | 15 mL |
| Maximum sulphate (SO ₄); CMM 870: WTP C-001..... | 0.05 percent |
| Maximum chloride; CMM 870: WTP C-001..... | 0.10 percent |
| Maximum total solids; CMM 870: WTP C-001 | |
| Organic..... | 0.04 percent |
| Inorganic..... | 0.15 percent |

501.3.2.4.2 Air Entrainment

Replace paragraph two with the following effective with the November 2021 letting:

(2) Test fresh concrete air content according to AASHTO T152 or AASHTO TP118 at the contract-required frequency and as the engineer directs. Test concrete placed by pumping or belting at the point of discharge from the pump line or belt.

501.3.7.1 Slump

Replace paragraph one with the following effective with the November 2021 letting:

- (1) Use a 1-inch to 4-inch slump for concrete used in structures or placed in forms, except as follows:
- Do not exceed a slump of 2 inches for grade E concrete.
 - Increase slump as specified in 502.3.5.3 for concrete placed underwater.
 - If BTS approves a concrete mixture using a superplasticizer, the contractor may increase slump for that mixture to a maximum of 9 inches without exceeding the maximum mix water allowed for that grade.

531.5 Payment

Replace paragraph two with the following effective with the November 2021 letting:

(2) Payment for Concrete Masonry Ancillary Structures Type NS is full compensation for providing concrete for non-standard sign structure foundations; and for anchor rod assemblies. The department will pay separately for excavating and backfilling drilled shafts under the Drilling Shafts bid items.

Replace paragraph five with the following effective with the November 2021 letting:

(5) Payment for the Foundation bid items is full compensation for providing concrete foundations; for anchor rod assemblies; for reinforcing steel; and for embedded conduit and electrical components. The department will pay separately for excavating and backfilling drilled shafts under the Drilling Shafts bid items.

642.2.2.1 General

Replace paragraph one with the following effective with the November 2021 letting:

(1) Provide each field office with two rooms, separated by an interior door with a padlock. Ensure that each room has a separate exterior door and its own air conditioner. Locate the office where a quality internet connection can be achieved. Ensure quality cell phone reception is achievable inside the field office.

701.3.1 General

Replace table 701-1 with the following effective with the November 2021 letting:

TABLE 701-1 TESTING AND CERTIFICATION STANDARDS

| TEST | TEST STANDARD | MINIMUM REQUIRED CERTIFICATION (any one of the certifications listed for each test) |
|---|---|---|
| Random Sampling | CMM 830.9.2 | Transportation Materials Sampling Technician (TMS) TMS Assistant Certified Technician (ACT-TMS) Aggregate Technician I (AGGTEC-I) AGGTEC-I Assistant Certified Technician (ACT-AGG) PCC Technician I (PCCTEC-I) PCCTEC-I Assistant Certified Technician (ACT-PCC) Grading Technician I (GRADINGTEC-I) Grading Assistant Certified Technician (ACT-GRADING) |
| Sampling Aggregates | AASHTO T2 ^[1] ^[4] | TMS, ACT-TMS, AGGTEC-1, ACT-AGG |
| Percent passing the No. 200 sieve | AASHTO T11 ^[1] | AGGTEC-I, ACT-AGG |
| Fine & coarse aggregate gradation | AASHTO T27 ^[1] | |
| Aggregate moisture content | AASHTO T255 ^[1] | |
| Fractured faces | ASTM D5821 ^[1] | |
| Liquid limit | AASHTO T89 | |
| Plasticity index | AASHTO T90 ^[3] | Aggregate Testing for Transportation Systems (ATTS) GRADINGTEC-I, or ACT-GRADING |
| Sampling freshly mixed concrete | AASHTO R60 | PCCTEC-1 ACT-PCC |
| Air content of fresh concrete | AASHTO T152 ^[2] AASHTO TP118 ^[5] | |
| Air void system of fresh concrete | AASHTO TP118 ^[5] | |
| Concrete slump | AASHTO T119 ^[2] | |
| Concrete temperature | ASTM C1064 | |
| Making and curing concrete specimens | AASHTO T23 | |
| Moist curing for concrete specimens | AASHTO M201 | |
| Concrete compressive strength | AASHTO T22 | |
| Concrete flexural strength | AASHTO T97 | |
| Concrete surface resistivity ^[2] | AASHTO T358 | |
| Voids in aggregate | AASHTO T19 | Concrete Strength Tester (CST) CST Assistant Certified Technician (ACT-CST) |
| Profiling | — | PCCTEC-II PROFILER |

^[1] As modified in CMM 860.

^[2] As modified in CMM 870.

^[3] A plasticity check, if required under individual QMP specifications, may be performed by an AGGTEC-I in addition to the certifications listed for liquid limit and plasticity index tests.

^[4] Plant personnel may operate equipment to obtain samples under the direct observation of a TMS or higher.

^[5] Consolidate by rodding.

710.2 Small Quantities

Replace the entire text with the following effective with the November 2021 letting:

- (1) The department defines small quantities as follows:
 - As specified in 715.1.1.2 for class I concrete.
 - Less than 50 cubic yards of class II ancillary concrete placed under a single bid item.
- (2) For contracts with only small quantities of material subject to testing, modify the requirements of 710 as follows:
 1. The contractor may submit an abbreviated quality control plan as allowed in 701.1.2.3.
 2. Provide one of the following for aggregate process control:
 - Documented previous testing dated within 120 calendar days. Provide gradation test results to the engineer before placing material.
 - Non-random start-up gradation testing.

710.4 Concrete Mixes

Replace paragraph two with the following effective with the November 2021 letting:

- (2) At least 7 business days before producing concrete, document that materials conform to 501 unless the engineer allows or individual QMP specifications provide otherwise. Include the following:

1. For mixes: quantities per cubic yard expressed as SSD weights and net water, water to cementitious material ratio, air content, and SAM number.
2. For cementitious materials and admixtures: type, brand, and source.
3. For aggregates: absorption, SSD bulk specific gravity, wear, soundness, freeze thaw test results if required, and air correction factor. Also include aggregate production records dated within 2 years if using those results in the design. Submit component aggregate gradations, aggregate proportions, and target combined blended aggregate gradations using the following:
 - DT2220 for combined aggregate gradations.
 - DT2221 for optimized aggregate gradations.
4. For optimized concrete mixtures:
 - Complete the worksheets within DT2221 according to the directions.
 - Ensure the optimized aggregate gradations and the optimized mix design conform to WisDOT specifications and pass the built-in tests within DT2221.
 - Verify slip-form mixture workability according to AASHTO TP137 and conformance to specifications through required trial batching.
 - Submit the completed DT2221 to the engineer electronically. Include the trial batch test results with the mix design submittal.

Replace paragraph four with the following effective with the November 2021 letting:

- (4) Prepare and submit modifications to a concrete mix to the engineer for approval 3 business days before using that modified mix. Modifications requiring the engineer's approval include changes in:
 1. Source of any material. For paving and barrier mixes, a source change for fly ash of the same class does not constitute a mix design change.
 2. Quantities of cementitious materials.
 3. Addition or deletion of admixtures. Minor admixture dosage adjustments required to maintain air content or slump do not require engineer review or approval.

710.5.5 Strength

Replace paragraph one with the following effective with the November 2021 letting:

- (1) Cast all 6" x 12" cylinders or all 6" x 6" x 21" beams in a set from the same sample. Do not cast more than one set of specimens from a single truckload of concrete. Mark each specimen to identify the lot and subplot or location on the project it represents.

710.5.6 Aggregate Testing

Retitle and replace the entire text with the following effective with the November 2021 letting:

710.5.6 Aggregate Testing During Concrete Production

710.5.6.1 General

- (1) The department will accept gradation based on the results of department-performed acceptance testing.
- (2) The department and contractor will obtain samples using the same method. When belt sampling, contractor personnel shall obtain samples for the department under the direct observation of the department personnel. Contractor will define sampling method in the QMP or abbreviated QMP.

710.5.6.2 Contractor Control Charts

710.5.6.2.1 General

- (1) Test aggregate gradations during concrete production except as allowed for small quantities under 710.2. Required contractor testing will be performed using non-random samples.
- (2) Sample aggregates from either the conveyor belt or from the working face of the stockpiles.
- (3) Sample aggregates within 2 business days before placement for each mix design. Include this gradation on the control charts.
- (4) Report gradation test results and provide control charts to the engineer within 1 business day of obtaining the sample. Submit results to the engineer and electronically into MRS as specified in 701.1.2.7.
- (5) Conduct aggregate testing at the minimum frequency shown based on the anticipated daily cumulative plant production for each mix design. The contractor's concrete production tests can be used for the same mix design on multiple contracts.

TABLE 710-1 CONTRACTOR GRADATION TESTING FREQUENCY - CLASS I

| DAILY PLANT PRODUCTION RATE FOR WisDOT WORK | MINIMUM FREQUENCY |
|---|-------------------|
| Gradation Report Before Placement | |
| 1000 cubic yards or less | one test per day |
| more than 1000 cubic yards | two tests per day |

TABLE 710-2 CONTRACTOR GRADATION TESTING FREQUENCY - CLASS II

| MINIMUM FREQUENCY |
|--|
| Gradation Report Before Placement |
| One test per calendar week of production |

710.5.6.2.2 Optimized Aggregate Gradation Control Charts

- (1) Determine the complete gradation using a washed analysis for both fine and coarse aggregates. Report results for the following:
 - 1 1/2", 1", 3/4", 1/2", 3/8", #4, #8, #16, #30, #50, #100, and #200 sieves.
 - Sum of volumetric percentages retained on No. 8, No. 16, and No. 30 sieves.
 - Sum of volumetric percentages retained on No. 30, No. 50, No. 100, and No. 200 sieves.
- (2) Calculate blended aggregate gradations using the mix design batch percentages for the component aggregates. Ensure the blended aggregate gradation conforms to the volumetric percent retained of the optimized aggregate gradation limits specified in table 501-4.
- (3) Throughout the contract, construct a 4-point running average of the volumetric percent retained for each sieve to determine if the blended aggregate gradation is within the tarantula curve limits specified in table 501-4.

710.5.6.2.3 Combined Aggregate Gradation Control Charts

- (1) Determine the complete gradation using a washed analysis for both fine and coarse aggregates. Report results for the 1 1/2", 1", 3/4", 1/2", 3/8", #4, #8, #16, #30, #50, #100, and #200 sieves.
- (2) Calculate blended aggregate gradations using the mix design batch percentages for the component aggregates. Ensure the blended aggregate gradation conforms to the percent passing by weight requirements of the combined aggregate gradation limits specified in table 501-4.
- (3) Throughout the contract, construct a 4-point running average of the percent passing by weight for each sieve to determine if the blended aggregate gradation is within the combined aggregate gradation limits specified in table 501-4.

710.5.6.3 Department Acceptance Testing

- (1) Department testing frequency is based on the quantity of each mix design placed under each individual WisDOT contract.
- (2) The department will split each sample, test for acceptance, and retain the remainder for a minimum of 10 calendar days.
- (3) The department will obtain the sample and deliver to regional testing lab in the same day. Department will report gradation test results to the contractor within 1 business day of being delivered to the lab. Department and contractor can agree to an alternative test result reporting timeframe; alternative timeframe is required to be documented in the QMP.
- (4) Additional samples may be taken at the engineer's discretion due to change in condition.

TABLE 710-3 DEPARTMENT GRADATION TESTING FREQUENCY

| CONCRETE CLASSIFICATION | MINIMUM DEPARTMENT FREQUENCY |
|-------------------------|---|
| Class I: Pavement | 1 test per placement day for first 5 days of placement. If all samples are passing, reduced frequency is applied. |
| | Reduced frequency: 1 test per calendar week of placement |
| Class I: Structures | 1 test per 250 CY placed <ul style="list-style-type: none"> - Minimum of 1 test per substructure - Minimum of 1 test per superstructure |

| | |
|--------------------------------|--------------------------|
| Class I: Cast-in-Place Barrier | 1 test per 500 CY placed |
| Class II | No minimum testing |

710.5.7 Corrective Action

Replace the entire text with the following effective with the November 2021 letting:

710.5.7.1 Optimized Aggregate Gradations

- (1) If the contractor's 4-point running average or a department test result of the volumetric percent retained exceeds the tarantula curve limits by less than or equal to 1.0 percent on a single sieve size, do the following:
1. Notify the other party immediately.
 2. Perform corrective action documented in the QC plan or as the engineer approves.
 3. Document and provide corrective action results to the engineer as soon as they are available.
 4. Department will conduct two tests within the next business day after corrective action is complete.
 5. If blended aggregate gradations are within the tarantula curve limits by the second department test:
 - Continue with concrete production.
 - Contractor will include a break in the 4-point running average.
 - For Class I: Pavements, department will discontinue reduced frequency testing and will test at a frequency of 1 test per placement day. Once 5 consecutive samples are passing at the 1 test per placement day frequency, the reduced frequency testing will be reapplied.
 6. If blended aggregate gradations are not within the tarantula curve limits by the second department test:
 - Provide a new mix design with an increased cementitious content.
 - If the mix design already has a cementitious content of 565 or more pounds per cubic yard, provide a new mix design.
 - If the contract requires optimized aggregate gradations under 501.2.7.4.2.1(2), stop concrete production and submit a new mix design.
- (2) If the contractor's 4-point running average or a department test result of the volumetric percent retained exceeds the tarantula curve limits by more than 1.0 percent on one or more sieves, stop concrete production and submit a new mix design.
- (3) Department and contractor will sample and test aggregate of the new mix design at the frequency defined in 710.5.6.1.

710.5.7.2 Combined Aggregate Gradations

- (1) If the contractor's 4-point running average or a department test result of the percent passing by weight exceeds the combined aggregate gradation limits by less than or equal to 1.0 percent on a single sieve size, do the following:
1. Notify the other party immediately.
 2. Perform corrective action documented in the QC plan or as the engineer approves.
 3. Document and provide corrective action results to the engineer as soon as they are available.
 4. Department will conduct two tests within the next business day after corrective action is complete.
 5. If blended aggregate gradations are within the combined aggregate gradation limits by the second department test:
 - Continue with concrete production.
 - Contractor will include a break in the 4-point running average.
 - For Class I: Pavements, department will discontinue reduced frequency testing and will test at a frequency of 1 test per placement day. Once 5 consecutive samples are passing at the 1 test per placement day frequency, the reduced frequency testing will be reapplied.
 6. If blended aggregate gradations are not within the combined aggregate gradation limits by the second department test, stop concrete production and submit a new mix design.
- (2) If the contractor's 4-point running average or a department test result of the percent passing by weight exceeds the combined aggregate gradation limits by more than 1.0 percent on one or more sieves, stop concrete production and submit a new mix design.
- (3) Department and contractor will sample and test aggregate of the new mix design at the frequency defined in 710.5.6.1.

715.3.1.1 General

Replace paragraphs three and four with the following effective with the November 2021 letting:

- (3) Cast a set of 3 additional 6"x12" cylinders and test the concrete surface resistivity according to AASHTO T358. Perform this testing at least once per lot if total contract quantities are greater than or equal to the following:

- 20,000 square yards for pavements.
- 5,000 linear feet for barriers.
- 500 cubic yards for structure concrete.

Submit the resistivity to the nearest tenth into MRS for information only. Resistivity testing is not required for the following:

- Lot with less than 3 sublots.
 - Concrete items classified as ancillary.
 - Concrete placed under the following bid items:
 - Concrete Pavement Approach Slab
 - Concrete Masonry Culverts
 - Concrete Masonry Retaining Walls
- (4) Test the air void system at least once per lot and enter the SAM number in MRS for information only. SAM testing is not required for the following:
- For lots with less than 3 sublots.
 - High early strength (HES) concrete.
 - Special high early strength (SHES) concrete.
 - Concrete placed under the following bid items:
 - Concrete Pavement Approach Slab
 - Concrete Masonry Culverts
 - Concrete Masonry Retaining Walls
 - Steel Grid Floor Concrete Filled
 - Crash Cushions Permanent
 - Crash Cushions Permanent Low Maintenance
 - Crash Cushions Temporary

715.3.1.2.3 Lots by Cubic Yard

Replace the entire text with the following effective with the November 2021 letting:

- (1) Define standard lots and sublots conforming to the following:

TABLE 715-1 CLASS I - LOT AND SUBLot SIZES

| CONCRETE CLASSIFICATION | LOT SIZE | SUBLot SIZE | NUMBER OF SUBLots PER LOT |
|--------------------------------|------------------|-----------------|---------------------------|
| Class I: Pavement | 1250 cubic yards | 250 cubic yards | 5 |
| Class I: Structures | 250 cubic yards | 50 cubic yards | 5 |
| Class I: Cast-in-Place Barrier | 500 cubic yards | 100 cubic yards | 5 |

- (2) The contractor may include sublots less than or equal to 25 percent of the standard volume in the previous subplot. For partial sublots exceeding 25 percent of the standard volume, notify the engineer who will direct additional testing to represent that partial subplot.
- (3) An undersized lot is eligible for incentive payment under 715.5 if the lot has 3 or more sublots for that lot.

715.3.2 Strength Evaluation

Replace the entire text with the following effective with the November 2021 letting:

715.3.2.1 General

- (1) The department will make pay adjustments for strength on a lot-by-lot basis using the compressive strength of contractor QC cylinders or the flexural strength of contractor QC beams.

-
- (2) Randomly select 2 QC specimens to test at 28 days for percent within limits (PWL). Compare the strengths of the 2 randomly selected QC specimens and determine the 28-day subplot average strength as follows:
- If the lower strength divided by the higher strength is 0.9 or more, average the 2 QC specimens.
 - If the lower strength divided by the higher strength is less than 0.9, break one additional specimen and average the 2 higher strength specimens.

715.3.2.2 Removal and Replacement

715.3.2.2.1 Pavement

- (1) If a subplot strength is less than 2500 psi in compressive strength or 500 psi in flexural strength, the department may direct the contractor to core that subplot to determine its structural adequacy and whether to direct removal.
- (2) If the engineer directs coring, obtain three cores from the subplot in question. Have an HTCP-certified PCC technician I perform or observe core sampling according to AASHTO T24.
- (3) Have an independent consultant test cores according to AASHTO T24.
- (4) The department will assess concrete for removal and replacement based on a subplot-by-subplot analysis of core strength. Perform coring and testing, fill core holes with an engineer-approved non-shrink grout or concrete, and provide traffic control during coring.
- (5) The subplot pavement is conforming if the compressive strengths of all cores from the subplot are 2500 psi or greater.
- (6) The subplot pavement is nonconforming if the compressive strengths of any core from the subplot is less than 2500 psi. The department may direct removal and replacement or otherwise determine the final disposition of nonconforming material as specified in 106.5.

715.3.2.2.2 Structures and Cast-in-Place Barrier

- (1) The department will evaluate the subplot for possible removal and replacement if the 28-day subplot average compressive strength is lower than $f'c$ minus 500 psi. The value of $f'c$ is the design stress the plans show. The department may assess further strength price reductions or require removal and replacement only after coring the subplot.
- (2) The engineer may initially evaluate the subplot strength using a non-destructive method. Based on the results of non-destructive testing, the department may accept the subplot at the previously determined pay for the lot, or direct the contractor to core the subplot.
- (3) If the engineer directs coring, obtain three cores from the subplot in question. Have an HTCP-certified PCC technician I perform or observe core sampling according to AASHTO T24. Determine core locations, subject to the engineer's approval, that do not interfere with structural steel.
- (4) Have an independent consultant test cores according to AASHTO T24.
- (5) The department will assess concrete for removal and replacement based on a subplot-by-subplot analysis of core strength. Perform coring and testing, fill core holes with an engineer-approved non-shrink grout or concrete, and provide traffic control during coring.
- (6) If the 3-core average is greater than or equal to 85 percent of $f'c$, and no individual core is less than 75 percent of $f'c$, the engineer will accept the subplot at the previously determined pay for the lot. If the 3-core average is less than 85 percent of $f'c$, or an individual core is less than 75 percent of $f'c$, the engineer may require the contractor to remove and replace the subplot. The department may direct removal and replacement or otherwise determine the final disposition of nonconforming material as specified in 106.5.

715.3.3 Aggregate

Replace the entire text with the following effective with the November 2021 letting:

715.3.3.1 General

- (1) Except as allowed for small quantities in 710.2, test aggregate conforming to 710.5.6.

715.3.3.2 Structures

- (1) In addition to the aggregate testing required under 710.5.6, determine the fine and coarse aggregate moisture content for each sample.
- (2) Calculate target batch weights for each mix when production of that mix begins. Whenever the moisture content of the fine or coarse aggregate changes by more than 0.5 percent, adjust the batch weights to maintain the design w/cm ratio.

715.5 Payment

Replace the entire text with the following effective with the November 2021 letting:

715.5.1 General

- (1) The department will pay incentive for compressive strength under the following bid items:

| <u>ITEM NUMBER</u> | <u>DESCRIPTION</u> | <u>UNIT</u> |
|--------------------|--|-------------|
| 715.0502 | Incentive Strength Concrete Structures | DOL |
| 715.0603 | Incentive Strength Concrete Barrier | DOL |
| 715.0715 | Incentive Flexural Strength Concrete Pavement | DOL |
| 715.0720 | Incentive Compressive Strength Concrete Pavement | DOL |

- (2) Incentive payment may be more or less than the amount the schedule of items shows.
- (3) The department will administer disincentives for strength under the Disincentive Strength Concrete Structures, Disincentive Strength Concrete Barrier, Disincentive Flexural Strength Concrete Pavement, and Disincentive Compressive Strength Concrete Pavement, administrative items.
- (4) The pay factor that is calculated from the equations in 715.5.2(2) and 715.5.3(2) will be applied to the unit costs listed below:
- Pavement: \$45 per SY.
 - Structure: \$635 per CY.
 - Cast-in-place barrier: \$75 per LF.
- (5) 28-day strength average for a lot is the average of the individual subplot strengths within the given lot.
- (6) The department will not pay a strength incentive for concrete that is nonconforming in another specified property, for ancillary concrete accepted based on tests of class I concrete, or for high early strength concrete unless placed in pavement gaps as allowed under 715.3.1.2.2.
- (7) Submit test results to the department electronically using MRS software. The department will validate contractor data before determining pay adjustments.
- (8) All coring and testing costs under 715.3.2.2 including filling core holes and providing traffic control during coring are incidental to the contract.

715.5.2 Compressive Strength

- (1) The department will measure PWL relative to strength lower specification limits as follows:
- Compressive strength of 3700 psi for pavements.
 - Compressive strength of 4000 psi for structures and cast-in-place barrier.

- (2) The department will adjust pay for each lot using equation "Comp2022" as follows:

| Percent within Limits (PWL) | Pay Factor (%) |
|-----------------------------|-------------------------------------|
| >= 90 to 100 | $(1/5 \times \text{PWL}) + 82$ |
| >= 85 to < 90 | 100 |
| >= 50 to < 85 | $(5/7 \times \text{PWL}) + (275/7)$ |
| < 50 | 50 ^[1] |

^[1] Any material resulting in a lot PWL value less than 50 will be evaluated according to 715.3.2. In the event the material remains in place, it will be paid at 50 percent of the contract unit price of the concrete bid item.

- (3) The department will not pay incentive if the lot standard deviation is greater than the following:
- 400 psi for pavement.
 - 350 psi for structure and cast-in-place barrier
- (4) For lots with less than 3 sublots, there is no incentive but the department will reduce pay by 50 percent of the contract unit price for sublots with an average compressive strength below the following:
- 3700 psi for pavements.
 - 4000 psi for structures and cast-in-place barrier.

715.5.3 Flexural Strength

- (1) The department will measure PWL relative to strength lower specification limits as follows:
- Flexural strength of 650 psi for pavements.

- (2) The department will adjust pay for each lot using equation "Flex2022" as follows:

| Percent within Limits (PWL) | Pay Factor (%) |
|-----------------------------|--------------------------------|
| >= 90 to 100 | $(2/5 \times \text{PWL}) + 64$ |
| >= 85 to < 90 | 100 |

>= 50 to < 85
< 50

$(5/7 \times \text{PWL}) + (275/7)$
 $50^{[1]}$

^[1] Material resulting in a lot PWL value less than 50 will be evaluated according to 715.3.2. In the event the material remains in place, it will be paid at 50 percent of the contract unit price of the concrete bid item.

- (3) The department will not pay incentive if the lot standard deviation is greater than 60 psi.
 - (4) For lots with less than 3 sublots, there is no incentive but the department will reduce pay by 50 percent of the contract unit price for sublots with an average flexural strength below 650 psi.
-

ERRATA**460.2.2.3 Aggregate Gradation Master Range****Correct errata by adding US Standard equivalent sieve sizes.**

- (1) Ensure that the aggregate blend, including recycled material and mineral filler, conforms to the gradation requirements in table 460-1. The values listed are design limits; production values may exceed those limits.

TABLE 460-1 AGGREGATE GRADATION MASTER RANGE AND VMA REQUIREMENTS

| SIEVE | PERCENT PASSING DESIGNATED SIEVES | | | | | | | |
|-------------------------|------------------------------------|--------------------------------|---------------------------------|----------------------------------|---------------------------------|-----------------------------------|--------------------------------------|-------------------------------------|
| | NOMINAL SIZE | | | | | | | |
| | No. 1 (37.5 mm) (1 1/2 inch) | No. 2 (25.0 mm) (1 inch) | No.3 (19.0 mm) (3/4 inch) | No. 4 (12.5 mm) (1/2 inch) | No. 5 (9.5 mm) (3/8 inch) | No. 6 (4.75 mm) (3/16 inch) | SMA No. 4 (12.5 mm) (1/2 inch) | SMA No. 5 (9.5 mm) (3/8 inch) |
| 50.0-mm (2-inch) | 100 | | | | | | | |
| 37.5-mm (1 1/2-inch) | 90 - 100 | 100 | | | | | | |
| 25.0-mm (1-inch) | 90 max | 90 - 100 | 100 | | | | | |
| 19.0-mm (3/4-inch) | — | 90 max | 90 - 100 | 100 | | | 100 | |
| 12.5-mm (1/2-inch) | — | — | 90 max | 90 - 100 | 100 | | 90 - 97 | 100 |
| 9.5-mm (3/8-inch) | — | — | — | 90 max | 90 - 100 | 100 | 58 - 80 | 90 - 100 |
| 4.75-mm (No. 4) | — | — | — | — | 90 max | 90 - 100 | 25 - 35 | 35 - 45 |
| 2.36-mm (No. 8) | 15 - 41 | 19 - 45 | 23 - 49 | 28 - 58 | 32 - 67 | 90 max | 15 - 25 | 18 - 28 |
| 1.18-mm (No. 16) | — | — | — | — | — | 30 - 55 | — | — |
| 0.60-mm (No. 30) | — | — | — | — | — | — | 18 max | 18 max |
| 0.075-mm (No. 200) | 0 - 6.0 | 1.0 - 7.0 | 2.0 - 8.0 | 2.0 - 10.0 | 2.0 - 10.0 | 6.0 - 13.0 | 8.0 - 11.0 | 8.0 - 12.0 |
| % VMA | 11.0 min | 12.0 min | 13.0 min | 14.0 min ^[1] | 15.0 min ^[2] | 16.0 - 17.5 | 16.0 min | 17.0 min |

^[1] 14.5 for LT and MT mixes.

^[2] 15.5 for LT and MT mixes.

715.5.1 General**Correct the bid item number for Incentive Compressive Strength Concrete Pavement.**

- (1) The department will pay incentive for compressive strength under the following bid items:

| <u>ITEM NUMBER</u> | <u>DESCRIPTION</u> | <u>UNIT</u> |
|--------------------|--|-------------|
| 715.0502 | Incentive Strength Concrete Structures | DOL |
| 715.0603 | Incentive Strength Concrete Barrier | DOL |
| 715.0715 | Incentive Flexural Strength Concrete Pavement | DOL |
| 715.0720 | Incentive Compressive Strength Concrete Pavement | DOL |

ADDITIONAL SPECIAL PROVISION 7

- A. Reporting 1st Tier and DBE Payments During Construction
1. Comply with reporting requirements specified in the department's Civil Rights Compliance, Contractor's User Manual, Sublets and Payments.
 2. Report payments to all DBE firms within 10 calendar days of receipt of a progress payment by the department or a contractor for work performed, materials furnished, or materials stockpiled by a DBE firm. Report the payment as specified in A(1) for all work satisfactorily performed and for all materials furnished or stockpiled.
 3. Report payments to all first tier subcontractor relationships within 10 calendar days of receipt of a progress payment by the department for work performed. Report the payment as specified in A(1) for all work satisfactorily performed.
 4. All tiers shall report payments as necessary to comply with the DBE payment requirement as specified in A(2).
 5. Require all first tier relationships, DBE firms and all other tier relationships necessary to comply with the DBE payment requirement in receipt of a progress payment by contractor to acknowledge receipt of payment as specified in A(1), (2), (3) and (4).
 6. All agreements made by a contractor shall include the provisions in A(1), (2), (3), (4) and (5), and shall be binding on all first tier subcontractor relationships and all contractors and subcontractors utilizing DBE firms on the project.
- B. Costs for conforming to this special provision are incidental to the contract.

NOTE: CRCS Prime Contractor payment is currently not automated and will need to be manually loaded into the Civil Rights Compliance System. Copies of prime contractor payments received (check or ACH) will have to be forwarded to paul.ndon@dot.wi.gov within 5 days of payment receipt to be logged manually.

***Additionally, for information on Subcontractor Sublet assignments, Subcontractor Payments and Payment Tracking, please refer to the CRCS Payment and Sublets manual at:

<https://wisconsin.gov/Documents/doing-bus/civil-rights/labornwage/crcs-payments-sublets-manual.pdf>

ADDITIONAL SPECIAL PROVISION 9

Electronic Certified Payroll or Labor Data Submittal

(1) Use the department's Civil Rights Compliance System (CRCS) to electronically submit certified payroll reports for contracts with federal funds and labor data for contracts with state funds only. Details are available online through the department's highway construction contractor information (HCCI) site on the Labor, Wages, and EEO Information page at:

<https://wisconsindot.gov/Pages/doing-bus/civil-rights/labornwage/default.aspx>

(2) Ensure that all tiers of subcontractors, including all trucking firms, either submit their weekly certified payroll reports (contracts with federal funds) or labor data (contracts with state funds only) electronically through CRCS. These payrolls or labor data are due within seven calendar days following the close of the payroll period. Every firm providing physical labor towards completing the project is a subcontractor under this special provision.

(3) Upon receipt of contract execution, promptly make all affected firms aware of the requirements under this special provision and arrange for them to receive CRCS training as they are about to begin their submittals. The department will provide training either in a classroom setting at one of our regional offices or by telephone. Contact Paul Ndon at (414) 438-4584 to schedule the training.

(4) The department will reject all paper submittals for information required under this special provision. All costs for conforming to this special provision are incidental to the contract.

(5) Firms wishing to export payroll/labor data from their computer system into CRCS should have their payroll coordinator contact Paul Ndon at paul.ndon@dot.wi.gov. Not every contractor's payroll system is capable of producing export files. For details, see Section 4.8 CPR Auto Submit (Data Mapping) on pages 49-50; 66-71 of the CRCS Payroll Manual at:

<https://wisconsindot.gov/Documents/doing-bus/civil-rights/labornwage/crcs-payroll-manual.pdf>

Non-discrimination Provisions

During the performance of this contract, the contractor, for itself, its assignees, and successors in interest (hereinafter referred to as the "contractor") agrees as follows:

1. Compliance with Regulations: The contractor (hereinafter includes consultants) will comply with the Acts and the Regulations relative to Non-discrimination in Federally-assisted programs of the U.S. Department of Transportation, Federal Highway Administration, as they may be amended from time to time, which are herein incorporated by reference and made a part of this contract.

2. Non-discrimination: The contractor, with regard to the work performed by it during the contract, will not discriminate on the grounds of race, color, or national origin in the selection and retention of subcontractors, including procurements of materials and leases of equipment. The contractor will not participate directly or indirectly in the discrimination prohibited by the Acts and the Regulations, including employment practices when the contract covers any activity, project, or program set forth in Appendix B of 49 CFR Part 21.

3. Solicitations for Subcontracts, Including Procurements of Materials and Equipment: In all solicitations, either by competitive bidding, or negotiation made by the contractor for work to be performed under a subcontract, including procurements of materials, or leases of equipment, each potential subcontractor or supplier will be notified by the contractor of the contractor's obligations under this contract and the Acts and the Regulations relative to Non-discrimination on the grounds of race, color, or national origin.

4. Information and Reports: The contractor will provide all information and reports required by the Acts, the Regulations, and directives issued pursuant thereto and will permit access to its books, records, accounts, other sources of information, and its facilities as may be determined by the Recipient or the Federal Highway Administration to be pertinent to ascertain compliance with such Acts, Regulations, and instructions. Where any information required of a contractor is in the exclusive possession of another who fails or refuses to furnish the information, the contractor will so certify to the Recipient or the Federal Highway Administration, as appropriate, and will set forth what efforts it has made to obtain the information.

5. Sanctions for Noncompliance: In the event of a contractor's noncompliance with the Non-discrimination provisions of this contract, the Recipient will impose such contract sanctions as it or the Federal Highway Administration may determine to be appropriate, including, but not limited to:

- a. Withholding payments to the contractor under the contract until the contractor complies; and/or
- b. Cancelling, terminating, or suspending a contract, in whole or in part.

6. Incorporation of Provisions: The contractor will include the provisions of paragraphs one through six in every subcontract, including procurements of materials and leases of equipment, unless exempt by the Acts, the Regulations and directives issued pursuant thereto. The contractor will take action with respect to any subcontract or procurement as the Recipient or the Federal Highway Administration may direct as a means of enforcing such provisions including sanctions for noncompliance. Provided, that if the contractor becomes involved in, or is threatened with litigation by a subcontractor, or supplier because of such direction, the contractor may request the Recipient to enter into any litigation to protect the interests of the Recipient. In addition, the contractor may request the United States to enter into the litigation to protect the interests of the United States.

During the performance of this contract, the contractor, for itself, its assignees, and successors in interest (hereinafter referred to as the "contractor") agrees to comply with the following non-discrimination statutes and authorities; including but not limited to:

Pertinent Non-Discrimination Authorities:

- Title VI of the Civil Rights Act of 1964 (42 U.S.C. § 2000d et seq., 78 stat. 252), (prohibits discrimination on the basis of race, color, national origin); and 49 CFR Part 21.
- The Uniform Relocation Assistance and Real Property Acquisition Policies Act of 1970, (42 U.S.C. § 4601), (prohibits unfair treatment of persons displaced or whose property has been acquired because of Federal or Federal-aid programs and projects);
- Federal-Aid Highway Act of 1973, (23 U.S.C. § 324 et seq.), (prohibits discrimination on the basis of sex);
- Section 504 of the Rehabilitation Act of 1973, (29 U.S.C. § 794 et seq.), as amended, (prohibits discrimination on the basis of disability); and 49 CFR Part 27;
- The Age Discrimination Act of 1975, as amended, (42 U.S.C. § 6101 et seq.), (prohibits discrimination on the basis of age);
- Airport and Airway Improvement Act of 1982, (49 USC § 471, Section 47123), as amended, (prohibits discrimination based on race, creed, color, national origin, or sex);
- The Civil Rights Restoration Act of 1987, (PL 100-209), (Broadened the scope, coverage and applicability of Title VI of the Civil Rights Act of 1964, The Age Discrimination Act of 1975 and Section 504 of the Rehabilitation Act of 1973, by expanding the definition of the terms "programs or activities" to include all of the programs or activities of the Federal-aid recipients, sub-recipients and contractors, whether such programs or activities are Federally funded or not);
- Titles II and III of the Americans with Disabilities Act, which prohibit discrimination on the basis of disability in the operation of public entities, public and private transportation systems, places of public accommodation, and certain testing entities (42 U.S.C. §§ 12131-12189) as implemented by Department of Transportation regulations at 49 C.F.R. parts 37 and 38;
- The Federal Aviation Administration's Non-discrimination statute (49 U.S.C. § 47123) (prohibits discrimination on the basis of race, color, national origin, and sex);

- Executive Order 12898, Federal Actions to Address Environmental Justice in Minority Populations and Low-Income Populations, which ensures Non-discrimination against minority populations by discouraging programs, policies, and activities with disproportionately high and adverse human health or environmental effects on minority and low-income populations;
- Executive Order 13166, Improving Access to Services for Persons with Limited English Proficiency, and resulting agency guidance, national origin discrimination includes discrimination because of Limited English proficiency (LEP). To ensure compliance with Title VI, you must take reasonable steps to ensure that LEP persons have meaningful access to your programs (70 Fed. Reg. at 74087 to 74100);
- Title IX of the Education Amendments of 1972, as amended, which prohibits you from discriminating because of sex in education programs or activities (20 U.S.C. 1681 et seq).

Effective November 2020 letting

BUY AMERICA PROVISION

All steel and iron materials permanently incorporated in this project shall be domestic products and all manufacturing and coating processes for these materials from smelting forward in the manufacturing process must have occurred within the United States. Coating includes epoxy coating, galvanizing, painting and any other coating that protects or enhances the value of a material subject to the requirements of Buy America. The exemption of this requirement is the minimal use of foreign materials if the total cost of such material permanently incorporated in the product does not exceed one-tenth of one percent (1/10 of 1%) of the total contract cost or \$2,500.00, whichever is greater. For purposes of this paragraph, the cost is that shown to be the value of the subject products as they are delivered to the project. The contractor shall take actions and provide documentation conforming to CMM 2-28.5 to ensure compliance with this "Buy America" provision.

<https://wisconsindot.gov/rdwy/cmm/cm-02-28.pdf>

Upon completion of the project certify to the engineer, in writing using department form DT4567, that all steel, iron, and coating processes for steel or iron incorporated into the contract work conform to these "Buy America" provisions. Attach a list of exemptions and their associated costs to the certification form. Department form DT4567 is available at:

<https://wisconsindot.gov/Documents/formdocs/dt4567.docx>



Proposal Schedule of Items

Page 1 of 4

Proposal ID: 20220111029 Project(s): 6580-10-71

Federal ID(s): N/A

SECTION: 0001

Contract Items

Alt Set ID:

Alt Mbr ID:

| Proposal Line Number | Item ID Description | Approximate Quantity and Units | Unit Price | Bid Amount |
|----------------------|--|--------------------------------|------------|------------|
| 0002 | 201.0105 Clearing | 3.000 STA | _____. | _____. |
| 0004 | 201.0205 Grubbing | 3.000 STA | _____. | _____. |
| 0006 | 203.0260 Removing Structure Over Waterway Minimal Debris (structure) 01. B-58-0010 | 1.000 EACH | _____. | _____. |
| 0008 | 204.0165 Removing Guardrail | 552.000 LF | _____. | _____. |
| 0010 | 204.0170 Removing Fence | 145.000 LF | _____. | _____. |
| 0012 | 205.0100 Excavation Common | 667.000 CY | _____. | _____. |
| 0014 | 206.2000 Excavation for Structures Culverts (structure) 01. B-58-0119 | LS | LUMP SUM | _____. |
| 0016 | 208.0100 Borrow | 895.000 CY | _____. | _____. |
| 0018 | 210.2500 Backfill Structure Type B | 1,890.000 TON | _____. | _____. |
| 0020 | 213.0100 Finishing Roadway (project) 01. 6580- 10-71 | 1.000 EACH | _____. | _____. |
| 0022 | 305.0110 Base Aggregate Dense 3/4-Inch | 71.000 TON | _____. | _____. |
| 0024 | 305.0120 Base Aggregate Dense 1 1/4-Inch | 780.000 TON | _____. | _____. |
| 0026 | 311.0115 Breaker Run | 210.000 CY | _____. | _____. |
| 0028 | 455.0605 Tack Coat | 137.000 GAL | _____. | _____. |
| 0030 | 465.0105 Asphaltic Surface | 356.000 TON | _____. | _____. |
| 0032 | 504.0100 Concrete Masonry Culverts | 389.000 CY | _____. | _____. |



Proposal Schedule of Items

Proposal ID: 20220111029 Project(s): 6580-10-71

Federal ID(s): N/A

SECTION: 0001

Contract Items

Alt Set ID:

Alt Mbr ID:

| Proposal Line Number | Item ID Description | Approximate Quantity and Units | Unit Price | Bid Amount |
|----------------------|---|--------------------------------|------------|------------|
| 0034 | 505.0400 Bar Steel Reinforcement HS Structures | 19,460.000 LB | _____. | _____. |
| 0036 | 505.0600 Bar Steel Reinforcement HS Coated Structures | 25,280.000 LB | _____. | _____. |
| 0038 | 516.0500 Rubberized Membrane Waterproofing | 70.000 SY | _____. | _____. |
| 0040 | 606.0100 Riprap Light | 15.000 CY | _____. | _____. |
| 0042 | 606.0300 Riprap Heavy | 120.000 CY | _____. | _____. |
| 0044 | 618.0100 Maintenance And Repair of Haul Roads (project) 01. 6580-10-71 | 1.000 EACH | _____. | _____. |
| 0046 | 619.1000 Mobilization | 1.000 EACH | _____. | _____. |
| 0048 | 624.0100 Water | 9.000 MGAL | _____. | _____. |
| 0050 | 625.0100 Topsoil | 2,060.000 SY | _____. | _____. |
| 0052 | 628.1504 Silt Fence | 936.000 LF | _____. | _____. |
| 0054 | 628.1520 Silt Fence Maintenance | 936.000 LF | _____. | _____. |
| 0056 | 628.1905 Mobilizations Erosion Control | 3.000 EACH | _____. | _____. |
| 0058 | 628.1910 Mobilizations Emergency Erosion Control | 3.000 EACH | _____. | _____. |
| 0060 | 628.2008 Erosion Mat Urban Class I Type B | 2,060.000 SY | _____. | _____. |
| 0062 | 628.7504 Temporary Ditch Checks | 16.000 LF | _____. | _____. |
| 0064 | 628.7570 Rock Bags | 60.000 EACH | _____. | _____. |



Proposal Schedule of Items

Proposal ID: 20220111029 Project(s): 6580-10-71

Federal ID(s): N/A

SECTION: 0001

Contract Items

Alt Set ID:

Alt Mbr ID:

| Proposal Line Number | Item ID Description | Approximate Quantity and Units | Unit Price | Bid Amount |
|----------------------|--|--------------------------------|------------|------------|
| 0066 | 629.0210 Fertilizer Type B | 1.600 CWT | _____. | _____. |
| 0068 | 630.0120 Seeding Mixture No. 20 | 39.000 LB | _____. | _____. |
| 0070 | 630.0500 Seed Water | 49.000 MGAL | _____. | _____. |
| 0072 | 638.2602 Removing Signs Type II | 4.000 EACH | _____. | _____. |
| 0074 | 638.3000 Removing Small Sign Supports | 4.000 EACH | _____. | _____. |
| 0076 | 642.5001 Field Office Type B | 1.000 EACH | _____. | _____. |
| 0078 | 643.0420 Traffic Control Barricades Type III | 960.000 DAY | _____. | _____. |
| 0080 | 643.0705 Traffic Control Warning Lights Type A | 1,320.000 DAY | _____. | _____. |
| 0082 | 643.0900 Traffic Control Signs | 14,040.000 DAY | _____. | _____. |
| 0084 | 643.0920 Traffic Control Covering Signs Type II | 14.000 EACH | _____. | _____. |
| 0086 | 643.1000 Traffic Control Signs Fixed Message | 36.000 SF | _____. | _____. |
| 0088 | 643.5000 Traffic Control | 1.000 EACH | _____. | _____. |
| 0090 | 645.0105 Geotextile Type C | 620.000 SY | _____. | _____. |
| 0092 | 645.0120 Geotextile Type HR | 280.000 SY | _____. | _____. |
| 0094 | 645.0130 Geotextile Type R | 62.000 SY | _____. | _____. |
| 0096 | 646.1020 Marking Line Epoxy 4-Inch | 655.000 LF | _____. | _____. |
| 0098 | 650.4500 Construction Staking Subgrade | 290.000 LF | _____. | _____. |



Proposal Schedule of Items

Proposal ID: 20220111029 Project(s): 6580-10-71

Federal ID(s): N/A

SECTION: 0001

Contract Items

Alt Set ID:

Alt Mbr ID:

| Proposal Line Number | Item ID Description | Approximate Quantity and Units | Unit Price | Bid Amount |
|----------------------|--|--------------------------------|------------|------------|
| 0100 | 650.5000 Construction Staking Base | 290.000 LF | _____. | _____. |
| 0102 | 650.6500 Construction Staking Structure Layout (structure) 01. B-58-0119 | LS | LUMP SUM | _____. |
| 0104 | 650.9910 Construction Staking Supplemental Control (project) 01. 6580-10-71 | LS | LUMP SUM | _____. |
| 0106 | 650.9920 Construction Staking Slope Stakes | 290.000 LF | _____. | _____. |
| 0108 | 690.0150 Sawing Asphalt | 50.000 LF | _____. | _____. |
| 0110 | 715.0502 Incentive Strength Concrete Structures | 2,340.000 DOL | 1.00000 | 2,340.00 |
| 0112 | SPV.0060 Special 01. Temporary Stream Diversion Channel Structure B-58-119 | 1.000 EACH | _____. | _____. |
| Section: 0001 | | | Total: | _____. |
| | | | Total Bid: | _____. |

PLEASE ATTACH ADDENDA HERE



Wisconsin Department of Transportation

January 7, 2022

**Division of Transportation Systems
Development**

Bureau of Project Development
4822 Madison Yards Way, 4th Floor South
Madison, WI 53705

Telephone: (608) 266-1631
Facsimile (FAX): (608) 266-8459

NOTICE TO ALL CONTRACTORS:

**Proposal #29: 6580-10-71
Clintonville - Howard
Herman Creek Crossing B-58-0119
STH 156
Shawano County**

Letting of January 11, 2022

This is Addendum No. 01, which provides for the following:

Plan Sheets:

| Revised Plan Sheets | |
|---------------------|---|
| Plan Sheet | Plan Sheet Title (brief description of changes to sheet) |
| 47 | Revised note to clarify salvaged stream bed material is incidental. |

The responsibility for notifying potential subcontractors and suppliers of these changes remains with the prime contractor.

Sincerely,

Mike Coleman

Proposal Development Specialist
Proposal Management Section

END OF ADDENDUM

**Addendum No. 01
ID 6580-10-71
Revised Plan 47
January 7, 2022**

STATE PROJECT NUMBER
6580-10-71

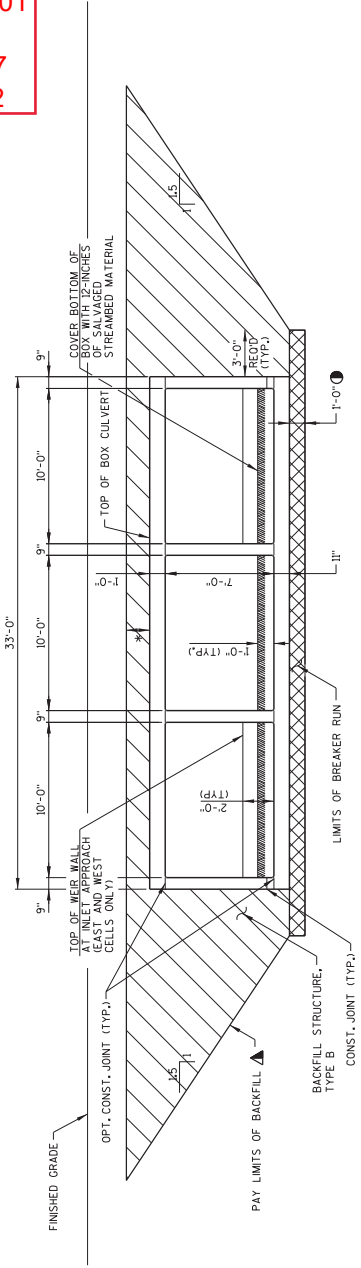
GENERAL NOTES

DRAWINGS SHALL NOT BE SCALED.
ALL STATIONS AND ELEVATIONS ARE IN FEET.
BAR STEEL REINFORCEMENT SHALL BE EMBEDDED 2" CLEAR UNLESS OTHERWISE SHOWN OR NOTED.
THE FIRST OR FIRST TWO DIGITS OF A BAR MARK SIGNIFIES THE BAR SIZE.
WITHIN THE LENGTH OF THE BOX ALL SPACES EXCAVATED AND NOT OCCUPIED BY THE NEW STRUCTURE SHALL BE BACKFILLED WITH STRUCTURE BACKFILL TO THE ELEVATION AND SECTION EXISTING PRIOR TO EXCAVATION WITHIN THE LENGTH OF THE CULVERT.
APRON SHALL BE POURED AND CURED PRIOR TO BACKFILLING WINGWALLS.
THE CONCRETE IN THE CUTOFF WALL MAY BE PLACED UNDERWATER IF THE EXCAVATION CANNOT BE Dewatered.
THE BACKFILL QUANTITIES ARE BASED ON THE PAY LIMITS SHOWN ON THE PLANS AND SHALL REFLECT ALL MATERIAL PLACED. QUANTITIES FOR STRUCTURE BACKFILL SHALL BE FOR 3 FEET. BACKFILL PLACED BEYOND PAY LIMITS OR EXCEEDING PLAN QUANTITIES SHALL BE INCIDENTAL TO EXCAVATION FOR STRUCTURES.
THE "ALTERNATE CUT OFF WALL" DETAIL SHOWN ON SHEET 7 MAY BE USED IN LIEU OF THE CAST-IN-PLACE CONCRETE CUT OFF WALLS. PAYMENT SHALL BE BASED ON CONCRETE CUT OFF WALLS.
EXISTING STRUCTURE IS A SINGLE SPAN CONCRETE T-GIRDER BRIDGE, 31.7 FEET LONG X 28.7 FEET WIDE, TO BE REMOVED.
FILLER SHALL CONFORM TO THE REQUIREMENTS OF AASHTO DESIGNATION M153, TYPES 4, II, OR M23.
UTILITY INFORMATION SHOWN ON THESE DRAWINGS CONCERNING TYPE AND LOCATION OF UTILITIES SHALL BE VERIFIED BY THE CONTRACTOR PRIOR TO ANY WORK. THE CONTRACTOR SHALL BE RESPONSIBLE FOR MAKING THEIR OWN DETERMINATION AS TO TYPE AND LOCATION OF UNDERGROUND UTILITIES AS MAY BE NECESSARY TO AVOID DAMAGE.
ANY ORGANIC MATERIAL FOUND DURING STRUCTURE EXCAVATION SHALL BE REMOVED AND REPLACED WITH STRUCTURE BACKFILL.
THE UPPER LIMITS OF EXCAVATION FOR STRUCTURES CULVERTS B-58-119" SHALL BE THE EXISTING GROUNDLINE.
LOCATE NAME PLATE ON NEAREST RIGHT WING TRAVELING UP STATION. FACE NAME PLATE UP STATION.
THE CONTRACTOR MAY FURNISH A PRECAST CONCRETE BOX CULVERT IN LIEU OF THE CAST-IN-PLACE BOX CULVERT WITH THE ACCEPTANCE OF THE SHOP DRAWINGS. THE CONTRACTOR SHALL BE RESPONSIBLE FOR OBTAINING ALL NECESSARY PERMITS AND APPROVALS FOR THE PRECAST BOX CULVERT SHALL CONFORM TO PRECAST DETAILS IN CHAPTER 36, STANDARDS OF THE CURRENT WISCONSIN DOT BRIDGE MANUAL. PAYMENT FOR THE PRECAST CULVERT SHALL BE BASED ON THE QUANTITIES AND PRICES BID FOR THE ITEMS LISTED IN THE QUANTITIES AND PRICES.
INCIDENTAL TO BID ITEM "EXCAVATION FOR STRUCTURES CULVERTS B-58-119".

LEGEND
 ● UNDERCUT 1'-0" PLACE GEOTEXTILE TYPE C AND BACKFILL WITH BREAKER RUN. EXTEND 3'-0" BEYOND THE FOOTPRINT OF THE CULVERT.
 ▲ BACKFILL PAY LIMITS. BACKFILL BEYOND PAY LIMITS SHALL BE INCIDENTAL TO EXCAVATION FOR STRUCTURES. LIMITS OF EXCAVATION SHALL BE DETERMINED BY THE CONTRACTOR.
 * 1'-0" OR TO BOTTOM OF ROADWAY SUBGRADE/BOTTOM OF TOPSOIL.

TYPICAL SECTION THRU BOX CULVERT

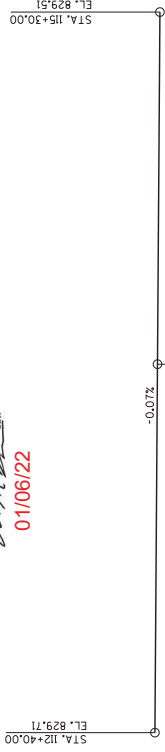
(LOOKING UPSTREAM - SHOWING LIMITS OF EXCAVATION AND STRUCTURE BACKFILL)



01/06/22

TOTAL ESTIMATED QUANTITIES

| BID ITEM NUMBER | BID ITEM | UNIT | TOTALS |
|-----------------|--|------|--------|
| 203.0260 | REMOVING OLD STRUCTURE OVER WATERWAY MINIMAL DEBRIS B-58-119 | EACH | 1 |
| 206.2000 | EXCAVATION FOR STRUCTURES CULVERTS B-58-119 | LS | 1 |
| 210.2500 | BACKFILL STRUCTURE TYPE E | TON | 1,890 |
| 311.0115 | BREAKER RUN | CY | 210 |
| 504.0100 | CONCRETE MASONRY CULVERTS | CY | 388 |
| 505.0400 | BAR STEEL REINFORCEMENT HS STRUCTURES | LB | 19,480 |
| 505.0600 | BAR STEEL REINFORCEMENT HS COATED STRUCTURES | LB | 25,280 |
| 516.0500 | RUBBERIZED MEMBRANE VAPOR PROOFING | CY | 70 |
| 608.0300 | RIPRAP HEAVY | SY | 120 |
| 645.0105 | GEOTEXTILE TYPE C | SY | 620 |
| 645.0120 | GEOTEXTILE TYPE HR | SY | 280 |
| SPV.0060 | TEMPORARY STREAM DIVERSION STRUCTURE B-58-119 | EACH | 1 |
| | NON-BID ITEMS | | |
| | FILLER | SIZE | 3/4" |



| | | | |
|-----|--------|--------------------|-----|
| NO. | DATE | REVISION | BY |
| 1 | 1/6/22 | STREAMBED MATERIAL | MES |

STATE OF WISCONSIN
DEPARTMENT OF TRANSPORTATION

STRUCTURE B-58-119

DESIGNED BY: MES
CHECKED BY: CAB

CROSS SECTION & QUANTITIES
SHEET 2 OF 15
47

PROFILE GRADE LINE - STH 156