



# Wisconsin Department of Transportation

## Division of Transportation Systems Development

Bureau of Project Development  
4822 Madison Yards Way, 4<sup>th</sup> Floor South  
Madison, WI 53705

February 14, 2022

Telephone: (608) 266-1631  
Facsimile (FAX): (608) 266-8459

### NOTICE TO ALL CONTRACTORS:

**Proposal #31: 6320-00-73, WISC 2021446**  
**Plainfield – Wisconsin Rapids**  
**STH 13 to Church Avenue**  
**STH 73**  
**Wood County**

### Letting of March 8, 2022

This is Addendum No. 01, which provides for the following:

#### Special Provisions:

Added Special Provisions	
Article No.	Description
13	Guardrail Mow Strip Asphalt, 614.0396

#### Schedule of Items:

Revised Bid Item Quantities					
Bid Item	Item Description	Unit	Old Quantity	Revised Quantity	Proposal Total
204.0120	Removing Asphaltic Surface Milling	SY	64370	-566	63804
205.0100	Common Excavation	CY	935	315	1250
208.0100	Borrow	CY	305	-295	10
305.0110	Base Aggregate Dense 3/4-Inch	Ton	85	-39	46
614.2340	MGS Guardrail 3L	LF	92	13	105
643.0900	Traffic Control Signs	Days	1086	780	1866
960.0150	Sawing Asphalt	LF	865	107	972

Added Bid Item Quantities					
Bid Item	Item Description	Unit	Old Quantity	Revised Quantity	Proposal Total
614.0396	Guardrail Mow Strip Asphalt	SY	0	10	10

Deleted Bid Item Quantities					
Bid Item	Item Description	Unit	Old Quantity	Revised Quantity	Proposal Total
614.0397	Guardrail Mow Strip Emulsified Asphalt	SY	56	-56	0

**Plan Sheets:**

Revised Plan Sheets	
Plan Sheet	Plan Sheet Title (brief description of changes to sheet)
11	Typical Section (Revised drafting linework on left side at the guardrails.
17	Plan Sheet-Beamguard Replacement (Revised left side guardrail linework and added sawcut and asphalt removal on right side)
22	Traffic Control-Advanced Warning (added note referencing SDD Traffic Control, Signing on Roadways with Milled Surfaces.
23,24,26	Traffic Control Staging (Showed correct beamguard linework)
27-30	Miscellaneous Quantities (Revisions to items associated with beamguard replacement)
49-60	Cross Sections (Revised sections to fix error in the building of the top surface)

Added Plan Sheets	
Plan Sheet	Plan Sheet Title (brief description of why sheet was added)
14A	Construction Details (Modified Mow Strip Detail)
14B	Construction Detail – MGS Long Span Layout (Layout of MGS EAT, Long span, and Thrie Beam over underground obstruction)
48A	Earthwork Data (Added as part of revisions to quantities associated with the beam guard replacement)

The responsibility for notifying potential subcontractors and suppliers of these changes remains with the prime contractor.

Sincerely,

*Mike Coleman*

Proposal Development Specialist  
Proposal Management Section

**ADDENDUM NO. 01**

**6320-00-73**

**February 14, 2022**

**Special Provisions**

**13. Guardrail Mow Strip Asphalt, Item 614.0396.**

**A Description**

*[No Change]*

**B Materials**

*[No Change]*

**C Construction**

614.3.2.4 Mow Strips

Replace paragraph 1 with the following:

Provide blockouts for guardrail posts as the plans show. Backfill post blockouts after post installation with controlled low-strength backfill.

**D Measurement**

*[No Change]*

**E Payment**

The department will pay for measured quantities at the contract unit price under the following bid item:

ITEM NUMBER	DESCRIPTION	UNIT
614.0396	Guardrail Mow Strip Asphalt	SY

Replace Paragraph 7 with the following:

(7) Payment for the Guardrail Mow Strip bid items is full compensation for providing the controlled low-strength backfill including mix design and testing. Surrounding asphaltic material is not included in payment for this item, but will be paid as Asphaltic Surface.

**Schedule of Items**

Attached, dated February 14, 2022, are the revised Schedule of Items Pages 1 – 5.

**Plan Sheets**

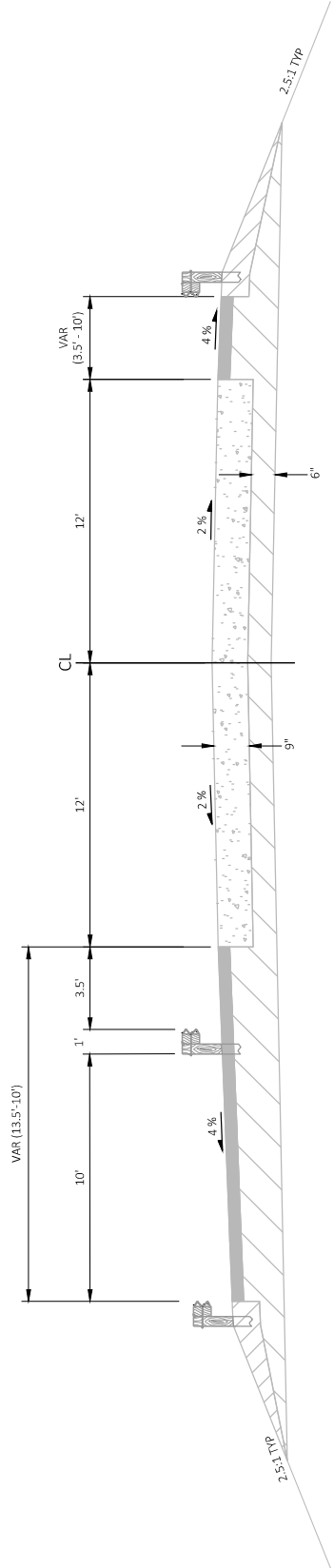
The following 8½ x 11-inch sheets are attached and made part of the plans for this proposal:

Revised: 11, 17, 22-24, 26-30, and 49-60.

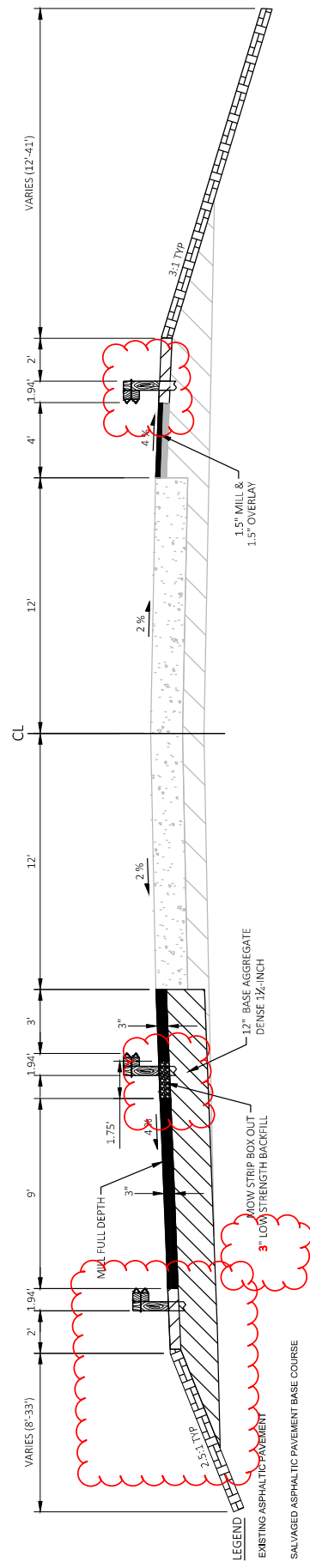
Added: 14A, 14B, and 48A

END OF ADDENDUM

Addendum No. 01  
 ID 6320-00-73  
 Revised Sheet 11  
 February 14, 2022



EXISTING TYPICAL SECTION  
 STA 266+40 - STA 270+92

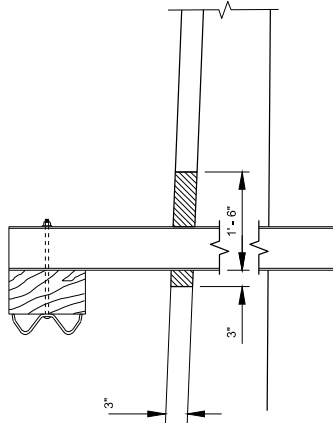


PROPOSED TYPICAL SECTION  
 STA 266+40 - STA 270+92

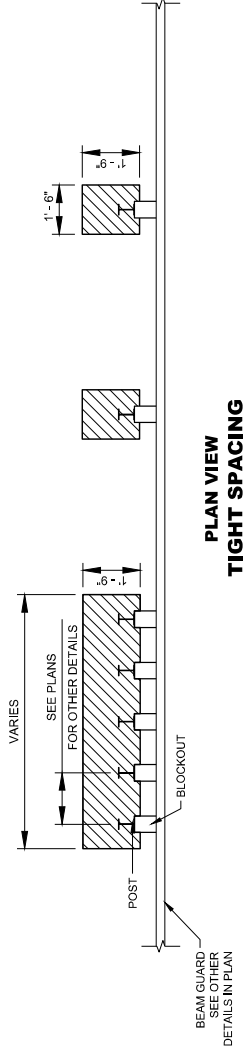
- LEGEND
- EXISTING ASPHALTIC PAVEMENT
  - EXISTING ASPHALTIC PAVEMENT BASE COURSE
  - EXISTING SELECT BORROW
  - EXISTING PCC PAVEMENT
  - EXISTING CRUSHED AGGREGATE BASE COURSE
  - SMT 56-28 S ASPHALTIC PAVEMENT
  - 3/4-INCH BASE AGGREGATE DENSE
  - TOPSOIL

**GENERAL NOTES**

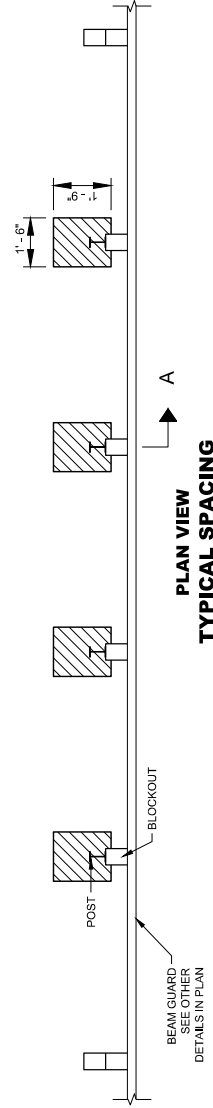
ONLY USE STEEL POSTS IN CONCRETE AND ASPHALT MOW STRIPS



**SECTION A - A**



**PLAN VIEW TIGHT SPACING**



**PLAN VIEW TYPICAL SPACING**

Addendum No. 01  
ID 6320-00-73  
Added Sheet 14A  
February 14, 2022

**LEGEND**

CONTROLLED LOW STRENGTH  
BACK FILL

**TYPICAL CONTROLLED LOW STRENGTH MATERIAL LAYOUT (INCLUDES EAT)  
PAID AS GUARDRAIL MOW STRIP ASPHALT**

PROJECT NO: 6320-00-73

HWY: 5TH 73

COUNTY: WOOD

CONSTRUCTION DETAILS

SHEET 14A

E

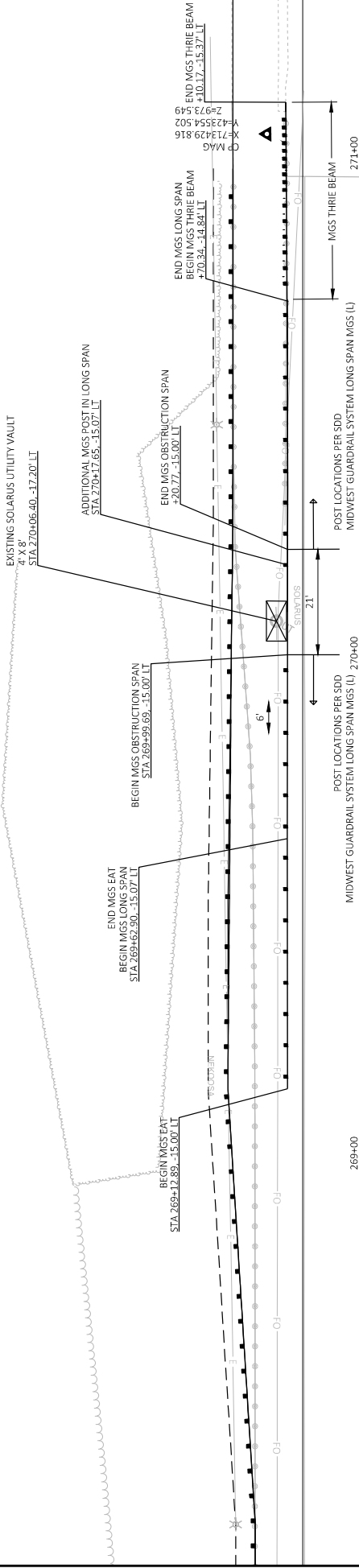
FILE NAME: N:\PDS\CD\63200003\SHEETSP\PLAN\021001-CD.DWG

PLOT DATE: 1/31/2022 1:24 PM

PLOT BY: SCHLEICHER\_BRUCE B

PLOT SCALE: 1 IN=10 FT

WISDOT/CADDS SHEET 42



Addendum No. 01  
ID 6320-00-73  
Added Sheet 14B  
February 14, 2022

PROJECT NO: 6320-00-73	COUNTY: WOOD	SHEET 14B	E
FILE NAME: N:\PDS\CD\63200003\SHEETPLAN\02\005-CD.DWG	CONSTRUCTION DETAIL - MGS LONG SPAN LAYOUT	1 IN=20 FT	WIS007CADD SHEET 42
UNSCUT NAME: V1	SCHLEICHER_BRICE B	PLOT SCALE:	
HWY: 5TH 73	FLYBY: SCHLEICHER_BRICE B	PLOT NAME:	
	DATE: 1/31/2022 11:00 AM		

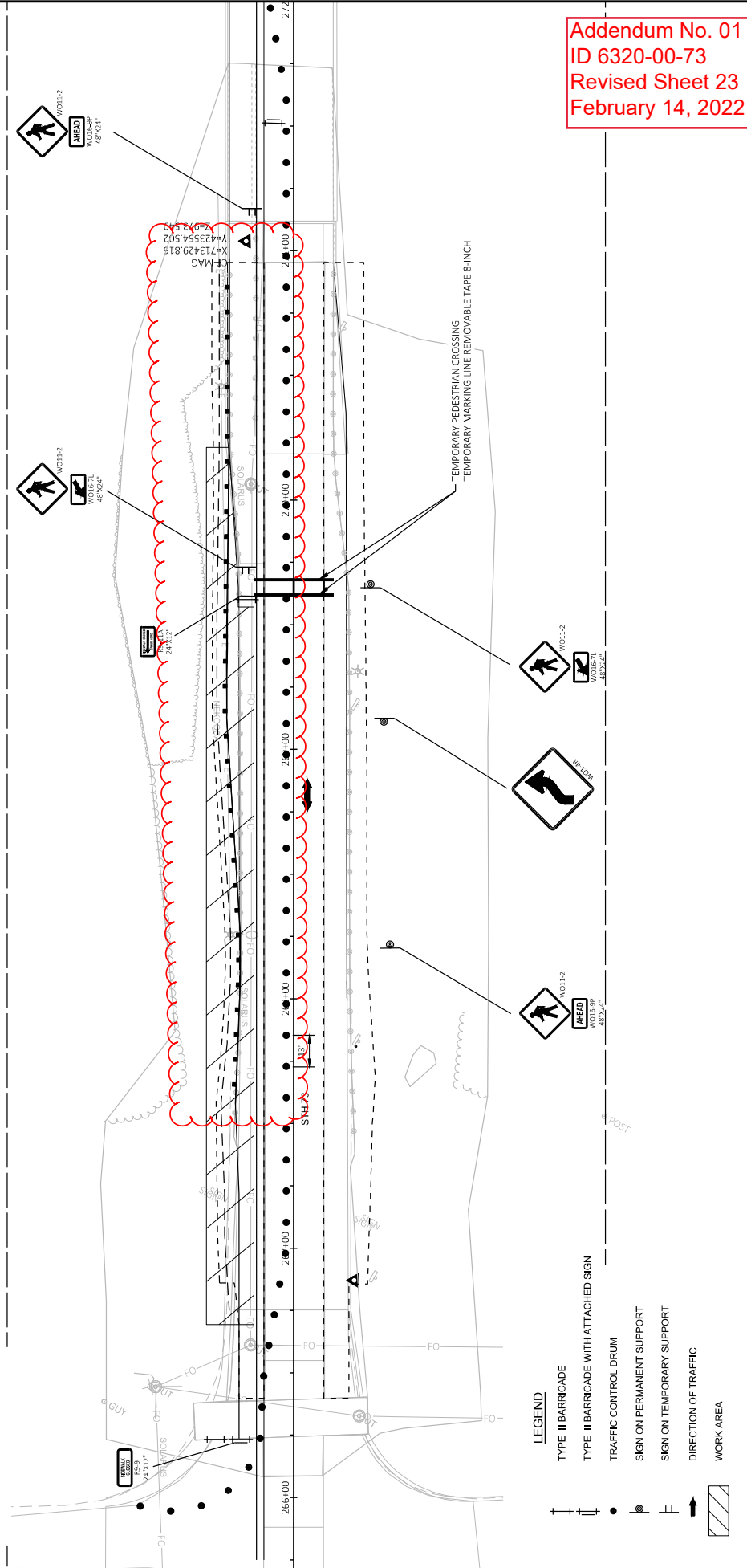








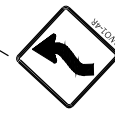
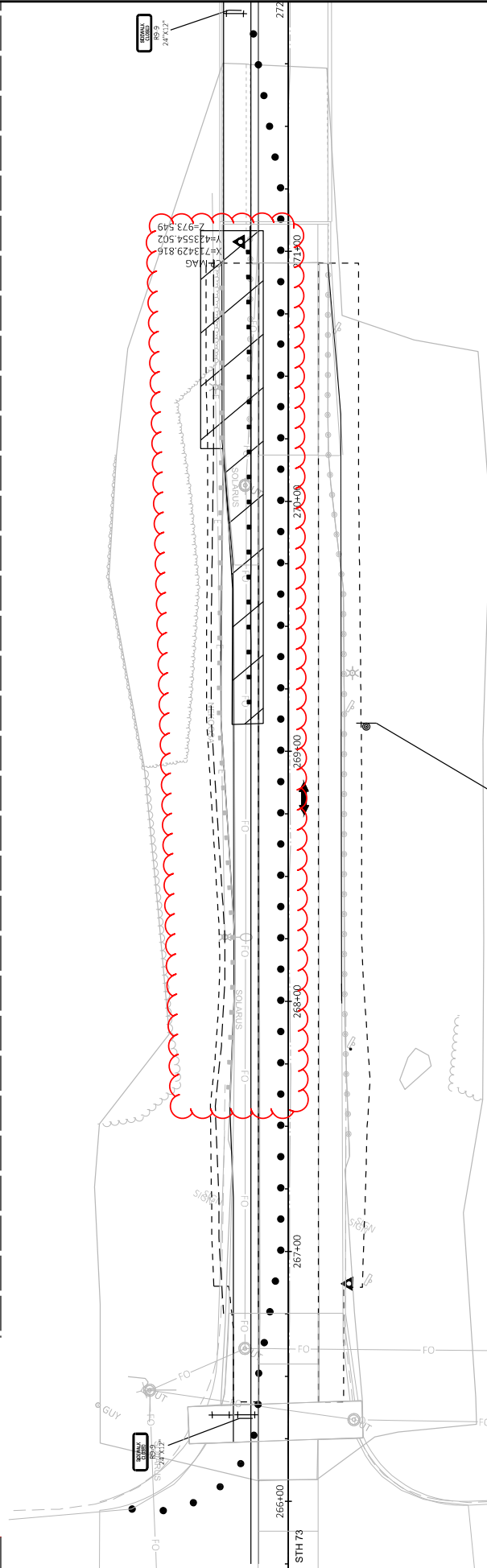
NOTE:  
 SIGN SIZE 48" x 48" UNLESS NOTED OTHERWISE  
 USE SDD  
 TRAFFIC CONTROL FOR LANE CLOSURE WITH FLAGGING OPERATION



Addendum No. 01  
 ID 6320-00-73  
 Revised Sheet 23  
 February 14, 2022



NOTE:  
 SIGN SIZE 48" x 48" UNLESS NOTED OTHERWISE  
 USE SDD'S  
 TRAFFIC CONTROL FOR LANE CLOSURE WITH FLAGGING OPERATION  
 TRAFFIC CONTROL PEDESTRIAN ACCOMMODATION

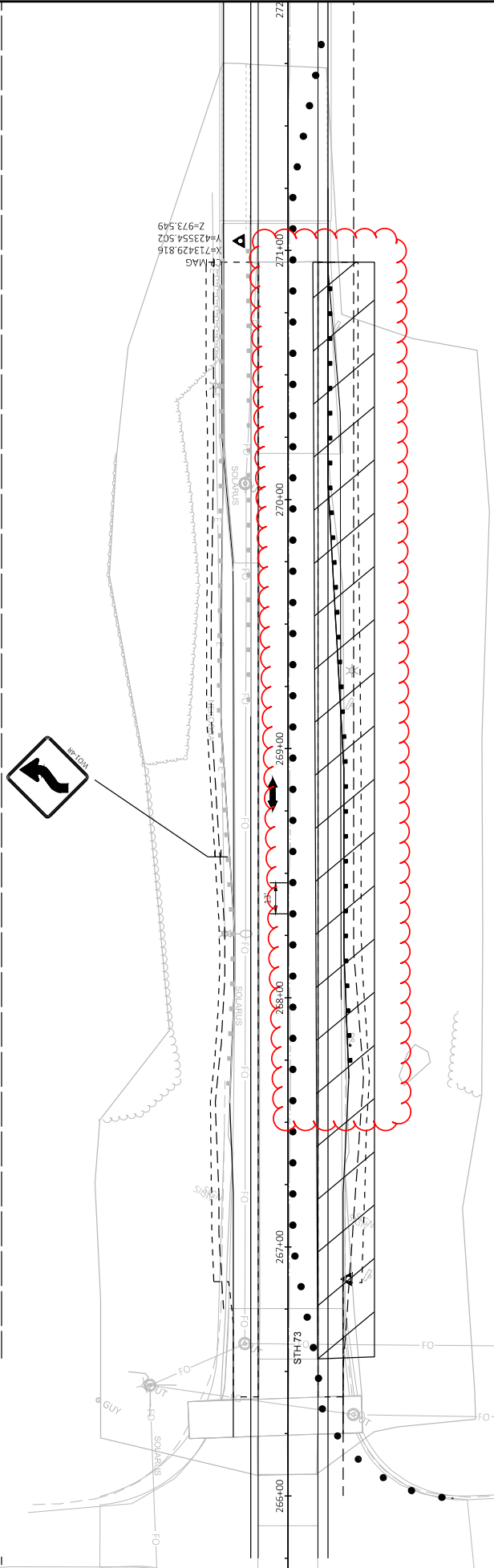


- LEGEND**
- ⊥ TYPE III BARRICADE
  - ⊥ TYPE III BARRICADE WITH ATTACHED SIGN
  - TRAFFIC CONTROL DRUM
  - ⊙ SIGN ON PERMANENT SUPPORT
  - ⊥ SIGN ON TEMPORARY SUPPORT
  - ➔ DIRECTION OF TRAFFIC
  - ▨ WORK AREA

Addendum No. 01  
 ID 6320-00-73  
 Revised Sheet 24  
 February 14, 2022



NOTE:  
 SIGN SIZE 48" x 48" UNLESS NOTED OTHERWISE  
 USE SDD  
 TRAFFIC CONTROL FOR LANE CLOSURE WITH FLAGGING OPERATION



FMAG  
 X=713429.816  
 Y=423354.502  
 Z=973.549

Addendum No. 01  
 ID 6320-00-73  
 Revised Sheet 26  
 February 14, 2022

- LEGEND**
- TYPE III BARRICADE
  - TYPE III BARRICADE WITH ATTACHED SIGN
  - TRAFFIC CONTROL DRUM
  - ⊙ SIGN ON PERMANENT SUPPORT
  - ⊕ SIGN ON TEMPORARY SUPPORT
  - DIRECTION OF TRAFFIC
  - ▨ WORK AREA

Addendum No. 01  
ID 6320-00-73  
Revised Sheet 27  
February 14, 2022

REMOVING OLD STRUCTURE		REMOVING ASPHALTIC SURFACE BUTT JOINT		REMOVING ASPHALTIC SURFACE MILLING		REMOVING CURB AND GUTTER		
STATION	EACH	REMARKS	STATION - STATION	LOCATION	SY	STATION - STATION	LOCATION	LF
162+27	1	24 X 24 RCP BOX	63+60	MAINLINE	6	63+60 - 266+39	CL	12
211+17	1	12 FT CSCP EXTENSIONS LT & RT	266+39	MAINLINE	6	266+39 - 270+92	LT	6
		36 X 24 RCP BOX	63+60 - 266+39	SIDEROADS	140		RT	12
		14 FT CSCP EXTENSIONS LT & RT		TOTAL	152		LT	6
	2						LT	6
							TOTAL	54

63+60 - 266+39  
266+39 - 270+92  
TOTAL 63804

/ING GUARDRAIL		REMOVING ASPHALTIC SURFACE		BASE PATCHING ASPHALTIC		PREPARE FOUNDATION FOR ASPHALTIC PAVING (6320-00-73)		
STATION - STATION	LOCATION	LF	REMARKS	STATION - STATION	LOCATION	SY	STATION - STATION	LS
267+38 - 270+55	RT	360	INSIDE	63+60	C/L	1.3	63+60 - 266+39	1
270+25 - 271+08	LT	85	OUTSIDE	148+49	LT	1.3		
267+45 - 270+65	LT	350		149+12	RT	2.7		
				240+20	LT	1.3		
				240+85	LT	1.3		
				252+68	LT	1.3		
				253+37	LT	1.3		
				TOTAL		10.7		

UNDISTRIBUTED  
TOTAL 50

205.0100		208.0100		BASE AGGREGATE DENSE	
COMMON EXCAVATION	LOCATION	SALVAGED/UNUSABLE PAVEMENT MATERIAL (4)	AVAILABLE MATERIAL	208.0100 BORROW	TON
450	CULVERT	88	362	5	305.0110 3/4-INCH
450	CULVERT	88	362	5	305.0120 1 1/4-INCH
350	SHOULDERS	47	303	0	
1250		223	1027	10	

162+27  
211+17  
266+39 - 270+92  
TOTALS 46

204.0120		204.0150		204.0165	
STATION - STATION	LOCATION	SY	STATION - STATION	LOCATION	LF
63+60 - 266+39	MAINLINE	6	63+60	MAINLINE	360
266+39 - 270+92	MAINLINE	6	266+39	MAINLINE	85
	SIDEROADS	140	63+60 - 266+39	SIDEROADS	350
	TOTAL	152		TOTAL	795

Addendum No. 01  
 ID 6320-00-73  
 Revised Sheet 28  
 February 14, 2022

ASPHALTIC CENTER LINE RUMBLE STRIP 2-LANE RURAL		
STATION - STATION	LOCATION	465.0475 LF
74+50 - 266+39	C/L	17270
TOTAL		17270

TACK COAT		
STATION - STATION	LOCATION	455.0605 GALLONS
63+60 - 266+39	MAINLINE	4000
266+39 - 270+92	SHOULDERS	100
SIDEROADS		480
TOTAL		4580

HMA PAVEMENT		
STATION - STATION	LOCATION	460.6225 5 MT 58-28 S TON
63+60 - 266+39	MAINLINE	4680
63+60 - 266+39	SIDEROADS	580
TOTALS		5220

3

CULVERT PIPES		
STATION	LOCATION	REMARKS
162+27	CPRC APRON ENDWALLS	
211+17	FOR CULVERT PIPE RC	
522.2424 24x38-INCH HE 24x38-INCH EACH		
48	2	
48	2	
96	4	
TOTAL		54

CONCRETE CURB & GUTTER		
STATION	LOCATION	REMARKS
63+60	C/L	12
148+49	LT	6
149+12	RT	12
240+20	LT	6
240+85	LT	6
252+68	LT	6
253+37	LT	6
TOTAL		54

ASPHALTIC SURFACE			
STATION - STATION	LOCATION	465.0105 TON	REMARKS
162+27	---	180	---
211+17	---	180	---
266+39 - 270+92	LT & RT	270	SHOULDERS
63+60	C/L	0.31	CURE REPAIRS
148+49	LT	0.31	CURE REPAIRS
149+12	RT	0.61	CURE REPAIRS
240+20	LT	0.31	CURE REPAIRS
240+85	LT	0.31	CURE REPAIRS
252+68	LT	0.31	CURE REPAIRS
253+37	LT	0.31	CURE REPAIRS
TOTAL		632.45	

3

STEEL PLATE BEAMGUARD		
STATION - STATION	LOCATION	REMARKS
266+39 - 270+92	RT	236
269+12 - 270+92	LT	105
266+39 - 270+92	LT	218
TOTALS		454

614.2300 MGS GUARDRAIL 3L		
STATION - STATION	LOCATION	REMARKS
614.2340 MGS GUARDRAIL 3L <td>LF</td> <td>105</td>	LF	105
614.2500 MGS THRE BEAM TRANSITION <td>LF</td> <td>118</td>	LF	118
614.2610 MGS GUARDRAIL TERMINAL EAT <td>EACH</td> <td>3</td>	EACH	3
614.0396 GUARDRAIL MOW STRIP ASPHALT <td>SY</td> <td>10</td>	SY	10

CONCRETE CURB & GUTTER		
STATION - STATION	LOCATION	REMARKS
162+27	RT	REJECT DRIVEWAY CURB
162+27	LT	
211+17	RT	
211+17	LT	
266+39-270+92	RT	
266+39-270+92	LT	
UNDISTRIBUTED		
TOTALS		54

3

TOPSOIL, MULCHING, FERTILIZER, AND SEEDING		
STATION - STATION	LOCATION	REMARKS
628.2023 EROSION MAT CLASS II	SY	50
628.2023 EROSION MAT TYPEB	SY	50
628.2023 FERTILIZER TYPEB	CWT	0.0
628.2023 FERTILIZER TYPEB	CWT	0.0
628.2023 FERTILIZER TYPEB	CWT	0.0
628.2023 FERTILIZER TYPEB	CWT	0.0
628.2023 FERTILIZER TYPEB	CWT	0.8
628.2023 FERTILIZER TYPEB	CWT	0.7
628.2023 SEEDING MIXTURE NO. 20	LB	1
628.2023 SEEDING MIXTURE NO. 20	LB	1
628.2023 SEEDING MIXTURE NO. 20	LB	1
628.2023 SEEDING MIXTURE NO. 20	LB	35
628.2023 SEEDING MIXTURE NO. 20	LB	31
TOTALS		1919
TOTALS		2109
TOTALS		1.7
TOTALS		71

3

**SILT FENCE**

STATION - STATION	LOCATION	628.1504 LF	628.1520 MAINTENANCE LF
162+27	RT	50	50
162+27	LT	56	56
211+17	RT	47	47
211+17	LT	55	55
266+00 - 270+92	RT	549	549
266+00 - 270+92	LT	502	502
<b>TOTALS</b>		<b>1260</b>	<b>1260</b>

**MOBILIZATIONS EROSION CONTROL**

STATION - STATION	EROSION CONTROL EACH	628.1905 EROSION CONTROL EACH	628.1910 MOBILIZATIONS EMERGENCY EROSION CONTROL EACH
PROJECT	2	2	1
<b>TOTALS</b>		<b>2</b>	<b>1</b>

**INLET PROTECTION**

STATION	LOCATION	628.7010 TYPE B EACH
149+12	RT	1
<b>TOTALS</b>		<b>1</b>

**CULVERT PIPE CHECKS**

STATION	LOCATION	628.7555 EACH
162+27	LT	9
211+17	LT	9
<b>TOTAL</b>		<b>18</b>

**TRAFFIC CONTROL**

TRAFFIC CONTROL PROJECT EACH	643.0300 DRUMS DAYS	643.0410 BARRICADES TYPE II DAYS	643.0420 BARRICADES TYPE III DAYS	643.0900 SIGNS NO. DAYS	643.1000 FIXED MESSAGE SIGNS SF	649.0120 TEMPORARY PAVEMENT MARKING EPOXY 4-INCH LF	649.0250 TEMPORARY MARKING LINE REMOVABLE TAPE 8-INCH LF
PRE-PROJECT ADVANCED WARNING PROJECT LENGTH	---	---	---	34 1020	48	---	---
162+27	30	1	2	14 780	---	20700	---
211+17	30	1	2	1 2	---	---	---
266-39 - 270+92	300	120	---	18 62	---	---	48
<b>TOTALS</b>	<b>360</b>	<b>122</b>	<b>4</b>	<b>68 1866</b>	<b>48</b>	<b>20700</b>	<b>48</b>

**CULVERT PIPE CHECKS**

STATION	LOCATION	628.7555 EACH
162+27	LT	9
211+17	LT	9
<b>TOTAL</b>		<b>18</b>

**ROCK BAGS**

STATION	LOCATION	628.7570 EACH
162+27	SILT FENCE RELIEF	42
211+17	SILT FENCE RELIEF	42
<b>TOTAL</b>		<b>84</b>

**MISCELLANEOUS QUANTITIES**

PROJECT NO.	6320-00-73	HWY: 5TH 73	COUNTY: WOOD	FLYBY: SCHLEICHER_BRVCEB	PLANT NAME:	1" = 1'	SHEET 29	E
-------------	------------	-------------	--------------	--------------------------	-------------	---------	----------	---

**Addendum No. 01**  
**ID 6320-00-73**  
**Revised Sheet 29**  
**February 14, 2022**

**MARKERS CULVERT END**

STATION	LOCATION	EACH	REMARKS
182+27	LT & RT	2	
211+17	LT & RT	2	
		<u>4</u>	

633.5200

**LOCATING NO-PASSING ZONES**

STATION - STATION	MILES
63+60 - 270+92	3.93
<b>TOTAL</b>	<u>3.93</u>

648.0100

**MARKING LINE EPOXY**

STATION - STATION	LOCATION	LF
63+60 - 270+92	LT & RT	31100
<b>TOTALS</b>		<u>31100</u>

646.1040  
GROOVED  
WET REF  
4-INCH  
WHITE  
YELLOW

**MOVING SIGNS**

STATION	LOCATION	EACH	638.2102 TYPE 2	638.4000 SMALL SIGN SUPPORTS
211+17	LT & RT	2	2	
267+90	RT	1	1	
269+12	RT	1	1	
270+65	RT	1	1	
<b>TOTALS</b>		<u>5</u>	<u>5</u>	<u>5</u>

**CONSTRUCTION STAKING**

STATION - STATION	PIPE CULVERTS EACH	650.6000 RESURFACING REFERENCE LF	650.8000 SUPPLEMENTAL CONTROL STAKES LS	650.9910 SUPPLEMENTAL CONTROL STAKES LF	650.9920 SLOPE STAKES LF
63+60 - 270+92	---	20,750	1	---	---
268+99 - 270+92	---	---	---	---	455
162+27	1	---	---	---	---
211+17	1	---	---	---	---
<b>TOTALS</b>	<u>2</u>	<u>20,750</u>	<u>1</u>		<u>455</u>

**SAWING ASPHALT**

STATION	LOCATION	LF
161+75		44
162+80		44
210+65		44
211+70		44
269+00 - 270+19	LT	107
78+43	LT	25
99+84	LT	28
99+84	RT	32
113+39	LT	37
119+34	RT	26
148+77	LT	29
148+78	RT	44
154+66	LT	27
173+20	RT	45
181+18	RT	25
188+02	LT	25
196+81	RT	42
214+27	LT	32
214+27	RT	31
227+66	LT	27
227+67	RT	25
240+40	LT	26
252+66	LT	27
265+84	LT	25
265+84	RT	31
63+60	OL	12
148+46	LT	10
149+12	RT	20
240+20	LT	10
240+65	LT	10
252+68	LT	10
253+37	LT	10
<b>TOTALS</b>		<u>972</u>

690.0150

**SAWING CONCRETE**

STATION	LOCATION	LF
63+60	CL	18
148+49	LT	6
149+12	RT	12
240+20	LT	6
240+65	LT	6
252+68	LT	6
253+37	LT	6
<b>TOTAL</b>		<u>60</u>

690.0250

**MISCELLANEOUS QUANTITIES**

STATION	LOCATION	LF
63+60	OL	12
148+46	LT	10
149+12	RT	20
240+20	LT	10
240+65	LT	10
252+68	LT	10
253+37	LT	10
<b>TOTALS</b>		<u>972</u>

690.0250

**MARKING LINE EPOXY**

STATION - STATION	LOCATION	LF
63+60 - 270+92	LT & RT	31100
<b>TOTALS</b>		<u>31100</u>

**CONSTRUCTION STAKING**

STATION - STATION	PIPE CULVERTS EACH	650.6000 RESURFACING REFERENCE LF	650.8000 SUPPLEMENTAL CONTROL STAKES LS	650.9910 SUPPLEMENTAL CONTROL STAKES LF	650.9920 SLOPE STAKES LF
63+60 - 270+92	---	20,750	1	---	---
268+99 - 270+92	---	---	---	---	455
162+27	1	---	---	---	---
211+17	1	---	---	---	---
<b>TOTALS</b>	<u>2</u>	<u>20,750</u>	<u>1</u>		<u>455</u>

**SAWING ASPHALT**

STATION	LOCATION	LF
161+75		44
162+80		44
210+65		44
211+70		44
269+00 - 270+19	LT	107
78+43	LT	25
99+84	LT	28
99+84	RT	32
113+39	LT	37
119+34	RT	26
148+77	LT	29
148+78	RT	44
154+66	LT	27
173+20	RT	45
181+18	RT	25
188+02	LT	25
196+81	RT	42
214+27	LT	32
214+27	RT	31
227+66	LT	27
227+67	RT	25
240+40	LT	26
252+66	LT	27
265+84	LT	25
265+84	RT	31
63+60	OL	12
148+46	LT	10
149+12	RT	20
240+20	LT	10
240+65	LT	10
252+68	LT	10
253+37	LT	10
<b>TOTALS</b>		<u>972</u>

690.0150

**MISCELLANEOUS QUANTITIES**

STATION	LOCATION	LF
63+60	CL	18
148+49	LT	6
149+12	RT	12
240+20	LT	6
240+65	LT	6
252+68	LT	6
253+37	LT	6
<b>TOTAL</b>		<u>60</u>

690.0250

Addendum No. 01  
 ID 6320-00-73  
 Revised Sheet 30  
 February 14, 2022

Addendum No. 01  
ID 6320-00-73  
Added Sheet 48A  
February 14, 2022

STATION	REAL STATION	DISTANCE	AREA (SF)		INCREMENTAL VOL (CY) (UNADJUSTED)		CUMULATIVE VOL (CY)		
			CUT	FILL	CUT	FILL	EXPANDED FILL	MASS ORDNATE	
			SALVAGED/UNUSABLE PAVEMENT MATERIAL		SALVAGED/UNUSABLE PAVEMENT MATERIAL		1.00	1.50	
			NOTE 1		NOTE 2		NOTE 3		
26639.797	26639.80	0.00	9.63	3.04	0.00	0	0	0	0
26640	26650.00	10.20	9.71	3.07	0.00	4	1	0	3
26645	26675.00	25.00	10.83	3.04	0.00	10	3	0	10
26646.039	26685.04	11.04	29.17	2.91	0.06	8	1	0	17
267400	26700.00	13.96	29.08	2.88	0.06	15	1	0	31
267425	26725.00	25.00	23.58	2.88	0.35	25	3	0	53
267450	26750.00	25.00	26.08	3.29	0.33	23	3	0	73
267457.659	26757.65	7.66	21.01	3.36	0.93	7	1	0	79
267467.534	26767.53	9.87	15.15	3.11	4.12	7	1	1	84
267475	26775.00	7.47	14.59	2.93	3.74	4	1	1	85
267492.513	26792.51	17.51	15.37	2.57	7.32	10	2	1	87
268400	26800.00	7.49	15.61	2.49	8.53	4	1	2	87
268408.058	26808.05	8.06	15.82	2.40	10.18	5	1	3	87
268418.553	26818.54	10.48	15.17	2.25	10.71	6	1	4	85
268426.107	26826.11	1.11	14.71	2.23	12.39	-	0	1	84
268450	26850.00	23.89	13.43	2.56	11.38	12	2	1	77
268475	26875.00	25.00	13.30	2.96	11.06	12	3	0	71
268492.185	26892.18	17.18	13.31	3.29	12.78	8	2	8	65
269400	26900.00	7.82	13.37	3.36	13.49	4	1	4	62
269412.813	26912.81	12.81	13.58	3.37	16.80	6	2	7	56
269425	26925.00	12.19	14.05	3.32	16.83	6	2	8	48
269450	26950.00	25.00	15.62	3.36	18.12	14	3	16	35
269475	26975.00	25.00	17.19	3.51	15.08	15	3	15	24
270400	27000.00	25.00	19.91	4.33	8.85	17	4	1	21
270406.65	27006.65	6.65	20.73	4.52	7.35	5	1	2	22
270425	27025.00	18.35	20.12	4.68	3.91	14	3	4	27
270450	27050.00	25.00	18.40	4.63	10.78	18	4	7	30
270475	27075.00	25.00	17.55	4.69	2.81	17	4	6	34
270495.268	27095.27	20.27	16.52	4.61	9.57	13	3	5	200

Notes:	CUT INCLUDES SALVAGED/UNUSABLE PAVEMENT MATERIAL THIS DOES NOT SHOW UP IN CROSS SECTIONS
1 - CUT	
2 - SALVAGED/UNUSABLE PAVEMENT MATERIAL	
3 - FILL	DOES NOT INCLUDE UNUSABLE PAVEMENT EXC VOLUME

EARTHWORK DATA

COUNTY: WOOD

HWY: 5TH 73

PROJECT NO: 6320-00-73

FILE NAME: I:\PDS\CD\63200003\SHEETS\PLAN\0010-1E\DWG  
UNADJUSTED

PLOT SCALE: 1" = 1'

PLOT NAME:

FLYBY: SCHLEICHER\_BRUCE B

PLOT DATE: 1/31/2022 11:01 AM

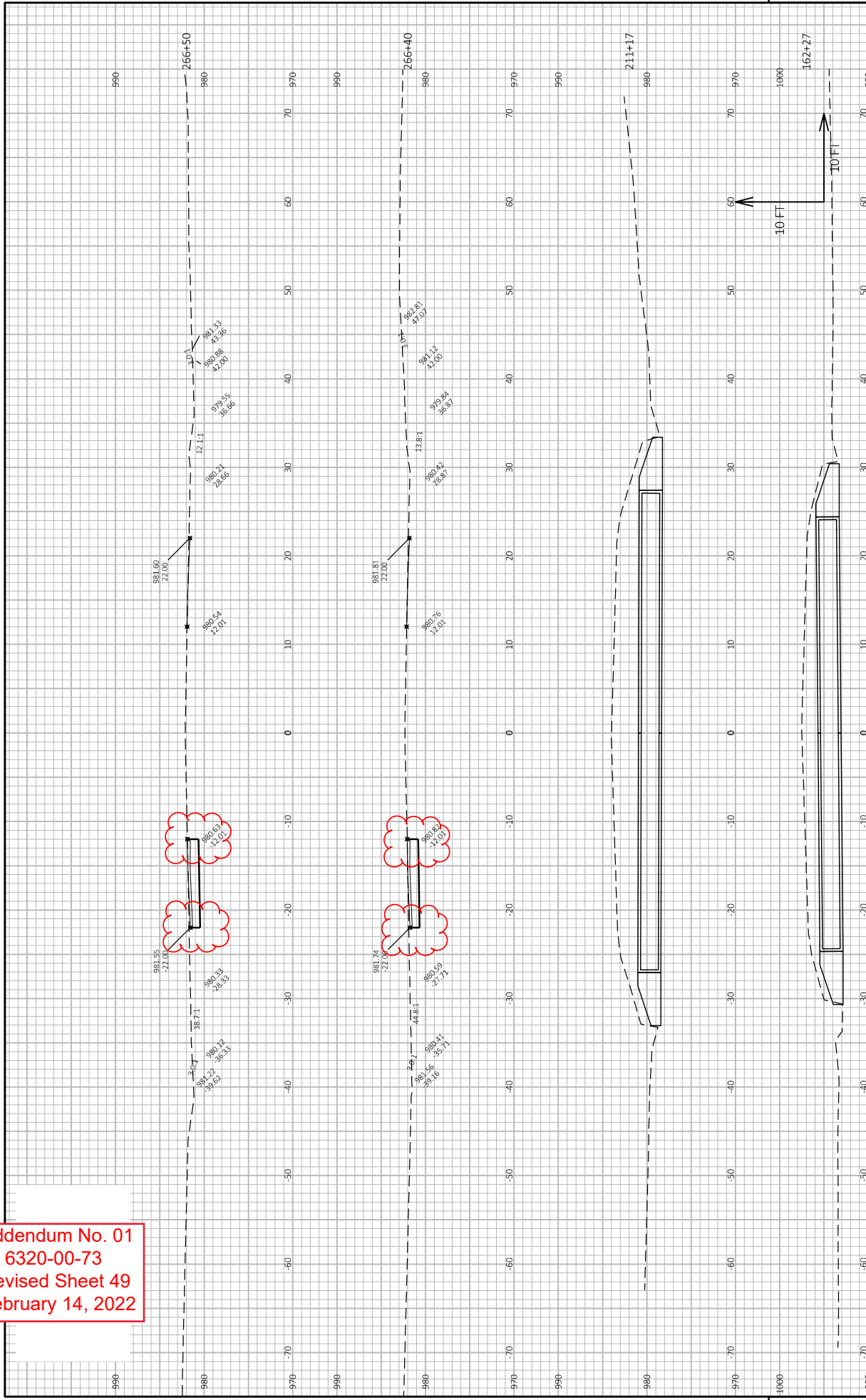
SHEET 48A

E

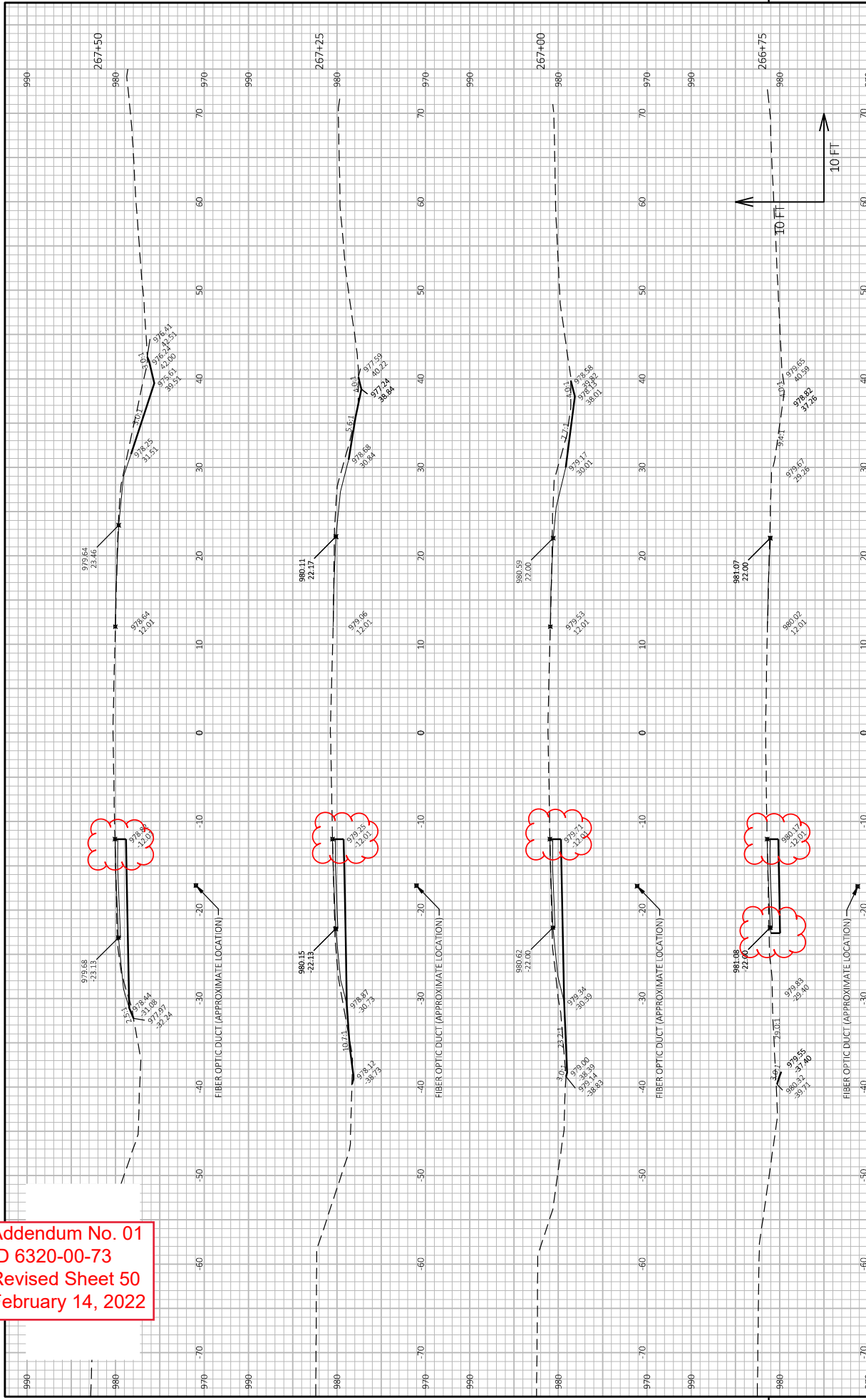
WISDOT CADD SHEET 48



Addendum No. 01  
 ID 6320-00-73  
 Revised Sheet 49  
 February 14, 2022

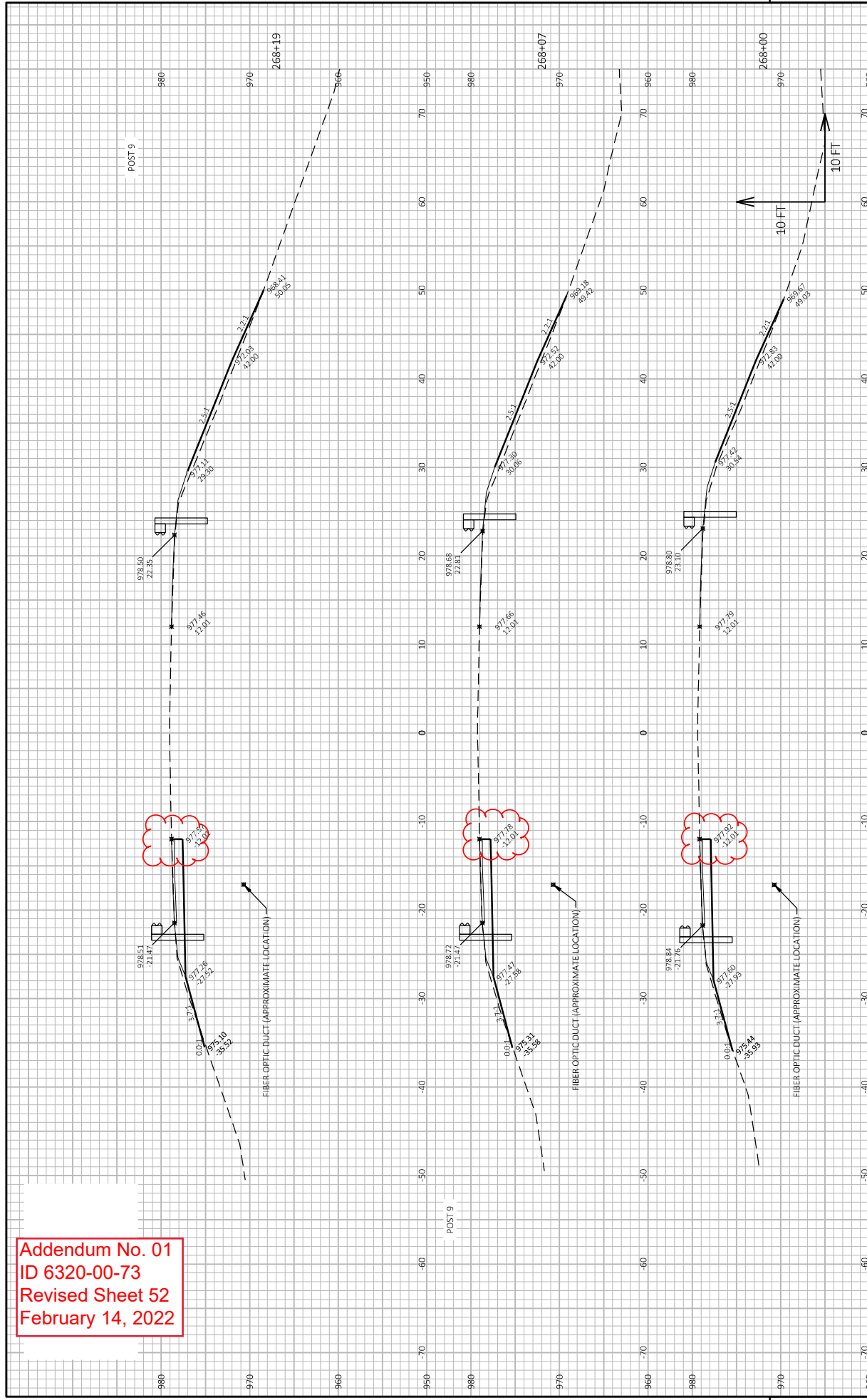


Addendum No. 01  
 ID 6320-00-73  
 Revised Sheet 50  
 February 14, 2022



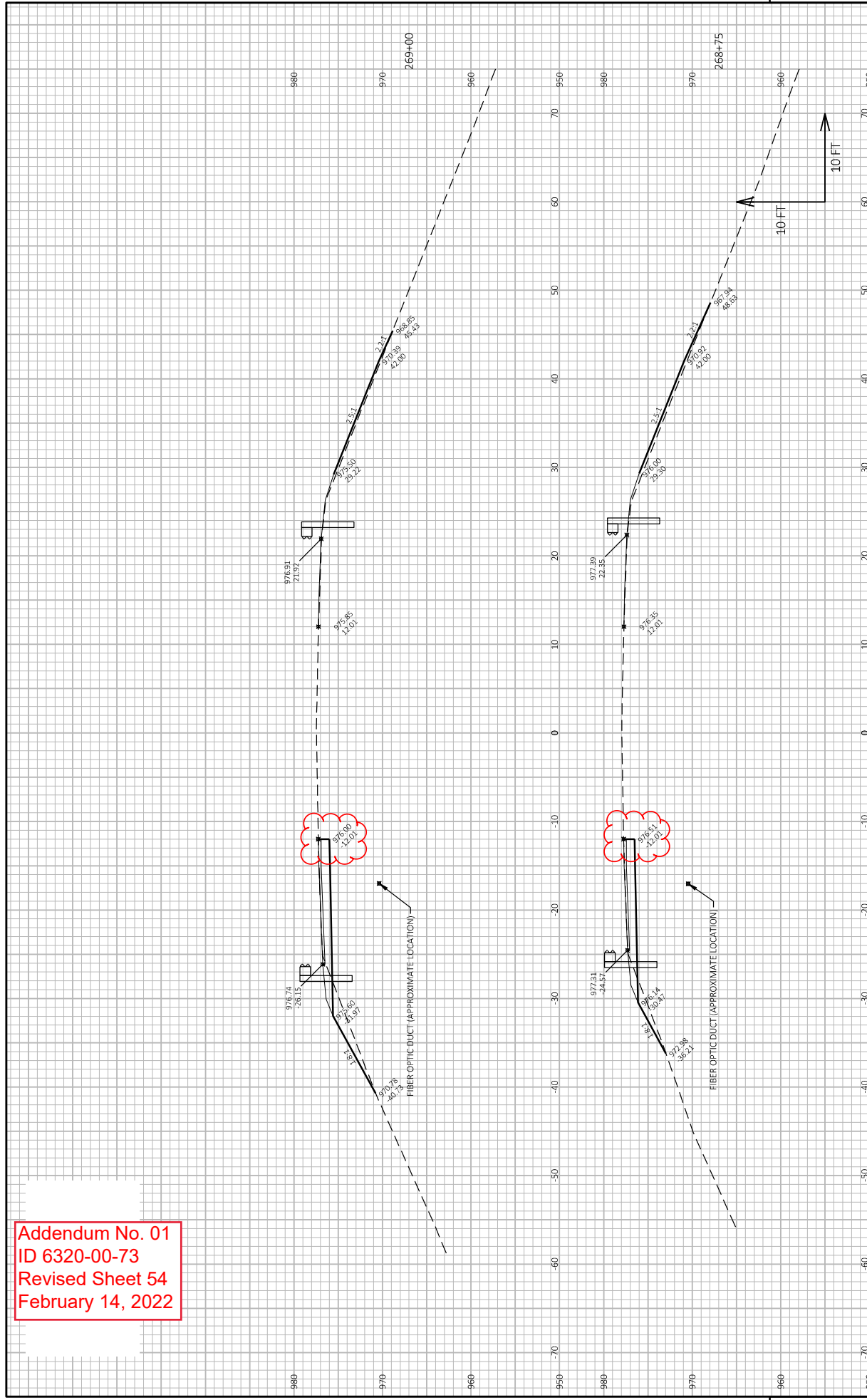


Addendum No. 01  
 ID 6320-00-73  
 Revised Sheet 52  
 February 14, 2022



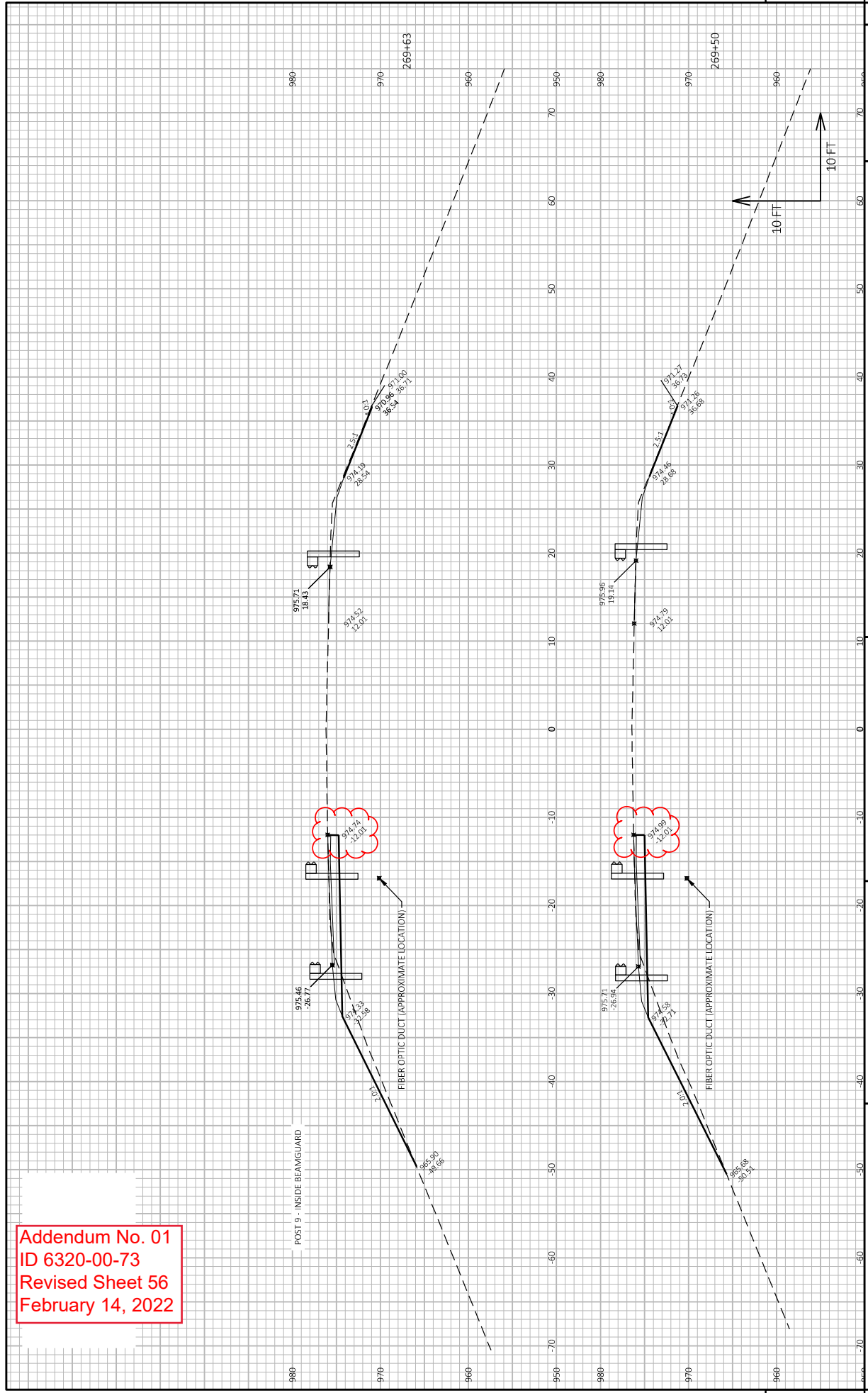


Addendum No. 01  
 ID 6320-00-73  
 Revised Sheet 54  
 February 14, 2022



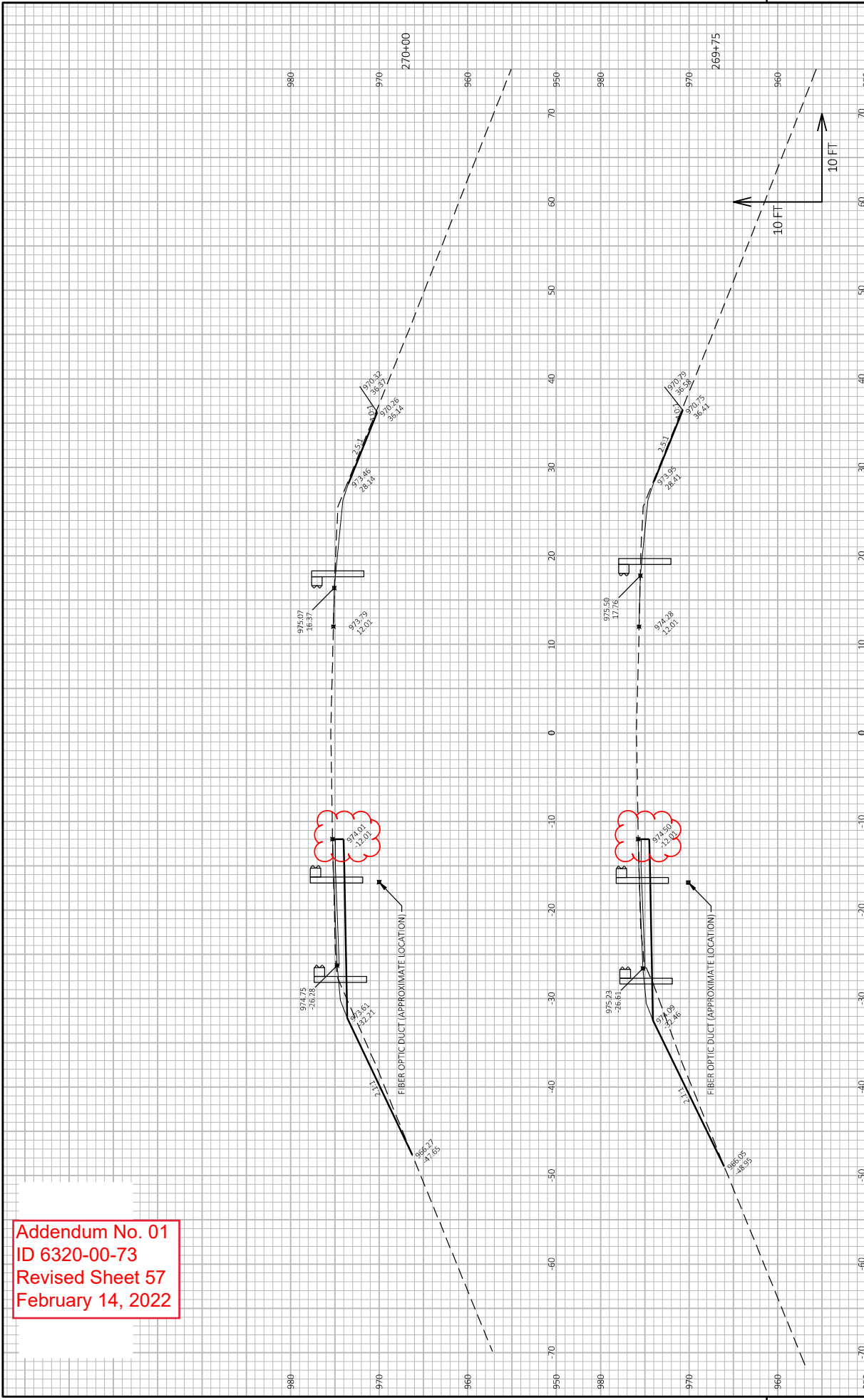


Addendum No. 01  
 ID 6320-00-73  
 Revised Sheet 56  
 February 14, 2022

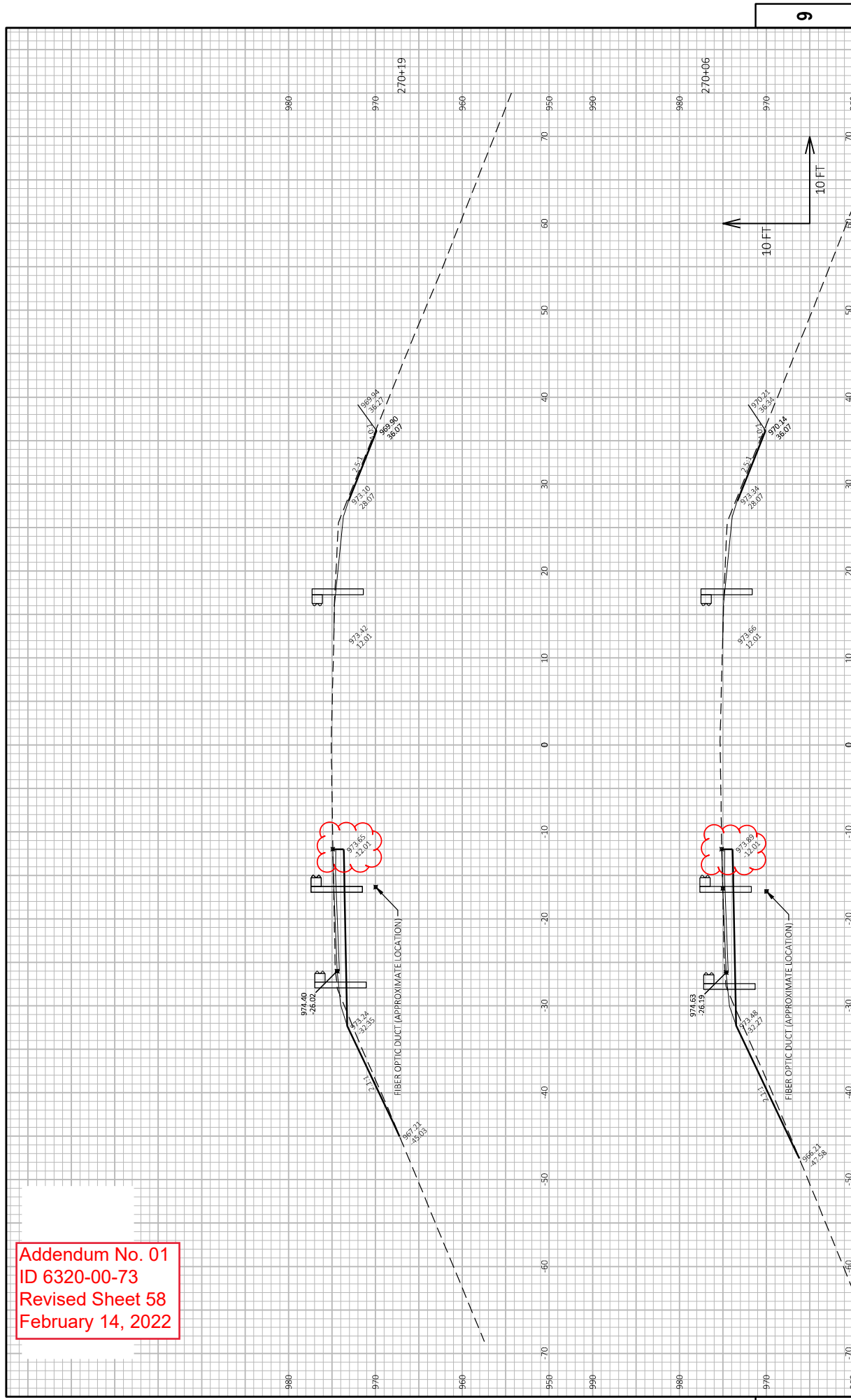




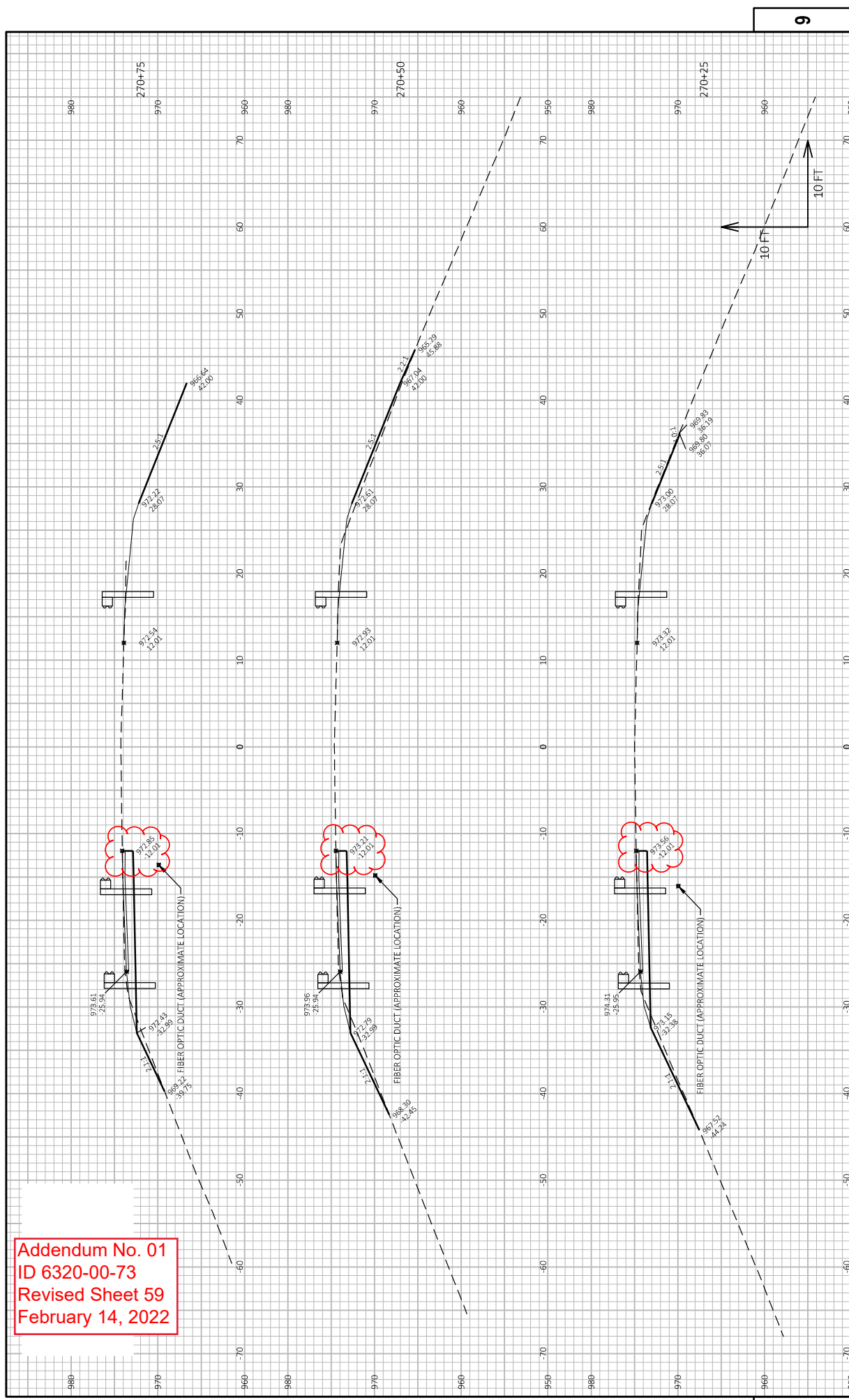
Addendum No. 01  
 ID 6320-00-73  
 Revised Sheet 57  
 February 14, 2022



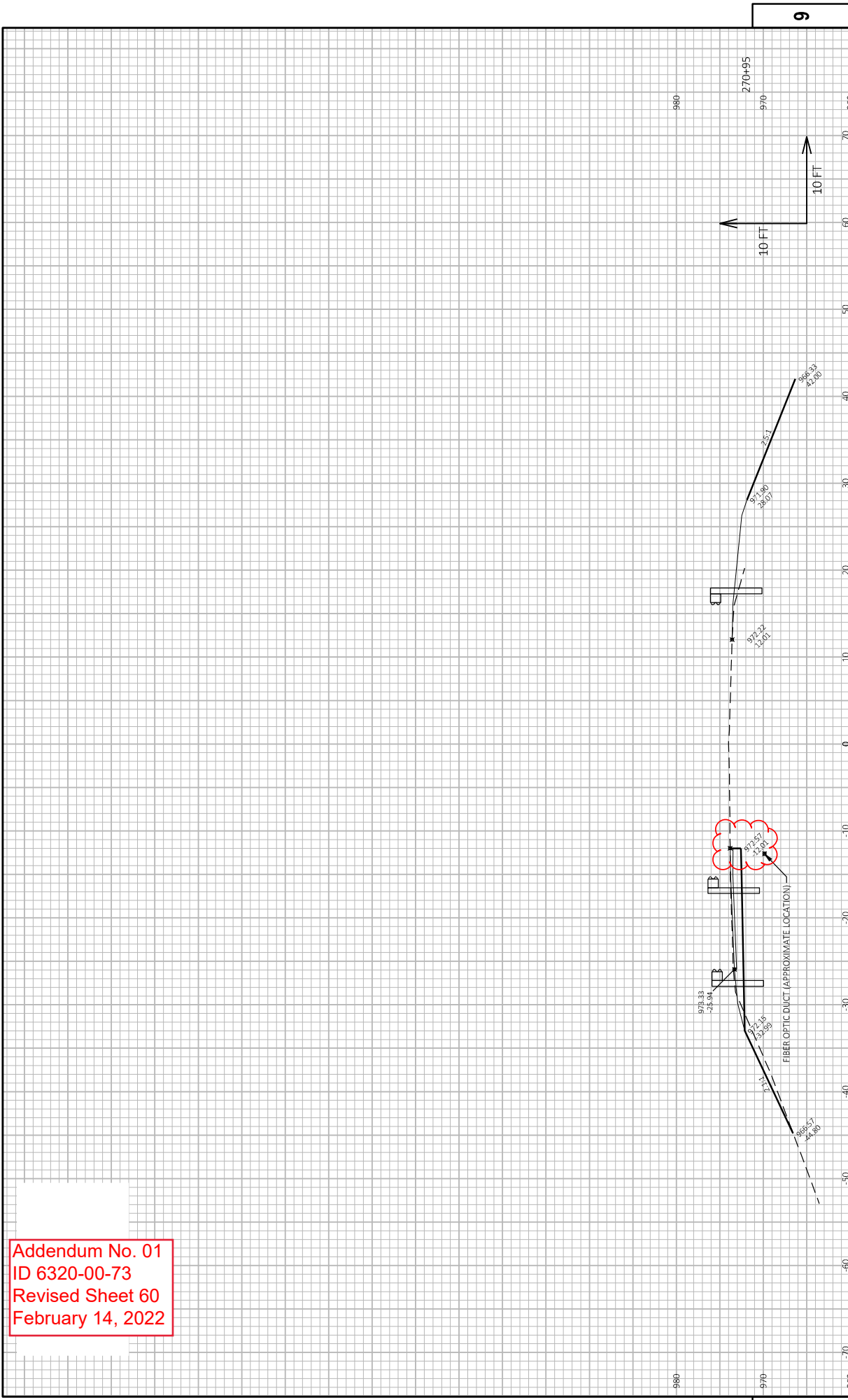
Addendum No. 01  
 ID 6320-00-73  
 Revised Sheet 58  
 February 14, 2022



Addendum No. 01  
 ID 6320-00-73  
 Revised Sheet 59  
 February 14, 2022



Addendum No. 01  
ID 6320-00-73  
Revised Sheet 60  
February 14, 2022



PROJECT NO: 6320-00-73  
COUNTY: WOOD  
CROSS SECTIONS: WOOD  
HWM: STH 73  
BEAM GUARD  
SHEET 60  
E

FILE NAME: N:\PDS\CD\63200003\SHEETPLAN\00201-SS.DWG  
LAYOUT NAME: 12  
PLOT DATE: 1/31/2022 1:24 PM  
PLOT BY: SCHLEICHER\_BRUCE B  
PLOT NAME: WISDOT\CADSS SHEET 49  
PLOT SCALE: 1 IN=10 FT HORIZ. / 1 IN=10 FT VERT.



Proposal Schedule of Items

Proposal ID: 20220308031 Project(s): 6320-00-73

Federal ID(s): WISC 2021446

SECTION: 0001

Contract Items

Alt Set ID:

Alt Mbr ID:

Proposal Line Number	Item ID Description	Approximate Quantity and Units	Unit Price	Bid Amount
0002	203.0220 Removing Structure (structure) 01. CP 71073008614	1.000 EACH	_____.	_____.
0004	203.0220 Removing Structure (structure) 02. CP 71073008616	1.000 EACH	_____.	_____.
0006	204.0110 Removing Asphaltic Surface	10.700 SY	_____.	_____.
0008	204.0115 Removing Asphaltic Surface Butt Joints	152.000 SY	_____.	_____.
0010	204.0120 Removing Asphaltic Surface Milling	63,804.000 SY	_____.	_____.
0012	204.0150 Removing Curb & Gutter	54.000 LF	_____.	_____.
0014	204.0165 Removing Guardrail	795.000 LF	_____.	_____.
0016	205.0100 Excavation Common	1,250.000 CY	_____.	_____.
0018	208.0100 Borrow	10.000 CY	_____.	_____.
0020	211.0100 Prepare Foundation for Asphaltic Paving (project) 01. 6320-00-73	LS	LUMP SUM	_____.
0022	213.0100 Finishing Roadway (project) 01. 6320- 00-73	1.000 EACH	_____.	_____.
0024	305.0110 Base Aggregate Dense 3/4-Inch	46.000 TON	_____.	_____.
0026	305.0120 Base Aggregate Dense 1 1/4-Inch	1,294.000 TON	_____.	_____.
0028	390.0201 Base Patching Asphaltic	50.000 TON	_____.	_____.
0030	455.0605 Tack Coat	4,580.000 GAL	_____.	_____.
0032	460.2000 Incentive Density HMA Pavement	3,340.000 DOL	1.00000	3,340.00



Proposal Schedule of Items

Proposal ID: 20220308031 Project(s): 6320-00-73

Federal ID(s): WISC 2021446

SECTION: 0001

Contract Items

Alt Set ID:

Alt Mbr ID:

Proposal Line Number	Item ID Description	Approximate Quantity and Units	Unit Price	Bid Amount
0034	460.6225 HMA Pavement 5 MT 58-28 S	5,220.000 TON	_____.	_____.
0036	465.0105 Asphaltic Surface	632.450 TON	_____.	_____.
0038	465.0475 Asphalt Centerline Rumble Strips 2-Lane Rural	17,270.000 LF	_____.	_____.
0040	522.2424 Culvert Pipe Reinforced Concrete Horizontal Elliptical Class HE-IV 24x38-Inch	96.000 LF	_____.	_____.
0042	522.2624 Apron Endwalls for Culvert Pipe Reinforced Concrete Horizontal Elliptical 24x38-Inch	4.000 EACH	_____.	_____.
0044	601.0557 Concrete Curb & Gutter 6-Inch Sloped 36-Inch Type D	54.000 LF	_____.	_____.
0048	614.2300 MGS Guardrail 3	454.000 LF	_____.	_____.
0050	614.2340 MGS Guardrail 3 L	105.000 LF	_____.	_____.
0052	614.2500 MGS Thrie Beam Transition	118.000 LF	_____.	_____.
0054	614.2610 MGS Guardrail Terminal EAT	3.000 EACH	_____.	_____.
0056	618.0100 Maintenance And Repair of Haul Roads (project) 01. 6320-00-73	1.000 EACH	_____.	_____.
0058	619.1000 Mobilization	1.000 EACH	_____.	_____.
0060	624.0100 Water	0.500 MGAL	_____.	_____.
0062	625.0100 Topsoil	1,919.000 SY	_____.	_____.
0064	628.1504 Silt Fence	1,260.000 LF	_____.	_____.



Proposal Schedule of Items

Proposal ID: 20220308031 Project(s): 6320-00-73

Federal ID(s): WISC 2021446

SECTION: 0001

Contract Items

Alt Set ID:

Alt Mbr ID:

Proposal Line Number	Item ID Description	Approximate Quantity and Units	Unit Price	Bid Amount
0066	628.1520 Silt Fence Maintenance	1,260.000 LF	_____.	_____.
0068	628.1905 Mobilizations Erosion Control	2.000 EACH	_____.	_____.
0070	628.1910 Mobilizations Emergency Erosion Control	1.000 EACH	_____.	_____.
0072	628.2023 Erosion Mat Class II Type B	2,109.000 SY	_____.	_____.
0074	628.7010 Inlet Protection Type B	1.000 EACH	_____.	_____.
0076	628.7555 Culvert Pipe Checks	18.000 EACH	_____.	_____.
0078	628.7570 Rock Bags	84.000 EACH	_____.	_____.
0080	629.0210 Fertilizer Type B	1.700 CWT	_____.	_____.
0082	630.0120 Seeding Mixture No. 20	71.000 LB	_____.	_____.
0084	630.0500 Seed Water	0.500 MGAL	_____.	_____.
0086	633.5200 Markers Culvert End	4.000 EACH	_____.	_____.
0088	638.2102 Moving Signs Type II	5.000 EACH	_____.	_____.
0090	638.4000 Moving Small Sign Supports	5.000 EACH	_____.	_____.
0092	642.5001 Field Office Type B	1.000 EACH	_____.	_____.
0094	643.0300 Traffic Control Drums	360.000 DAY	_____.	_____.
0096	643.0410 Traffic Control Barricades Type II	122.000 DAY	_____.	_____.
0098	643.0420 Traffic Control Barricades Type III	4.000 DAY	_____.	_____.



## Proposal Schedule of Items

Proposal ID: 20220308031 Project(s): 6320-00-73

Federal ID(s): WISC 2021446

SECTION: 0001

Contract Items

Alt Set ID:

Alt Mbr ID:

Proposal Line Number	Item ID Description	Approximate Quantity and Units	Unit Price	Bid Amount
0100	643.0900 Traffic Control Signs	1,866.000 DAY	_____.	_____.
0102	643.1000 Traffic Control Signs Fixed Message	48.000 SF	_____.	_____.
0104	643.5000 Traffic Control	1.000 EACH	_____.	_____.
0106	646.1020 Marking Line Epoxy 4-Inch	31,100.000 LF	_____.	_____.
0108	646.1040 Marking Line Grooved Wet Ref Epoxy 4-Inch	41,500.000 LF	_____.	_____.
0110	648.0100 Locating No-Passing Zones	3.930 MI	_____.	_____.
0112	649.0120 Temporary Marking Line Epoxy 4-Inch	20,700.000 LF	_____.	_____.
0114	649.0250 Temporary Marking Line Removable Tape 8-Inch	48.000 LF	_____.	_____.
0116	650.6000 Construction Staking Pipe Culverts	2.000 EACH	_____.	_____.
0118	650.8000 Construction Staking Resurfacing Reference	20,750.000 LF	_____.	_____.
0120	650.9910 Construction Staking Supplemental Control (project) 01. 6320-00-73	LS	LUMP SUM	_____.
0122	650.9920 Construction Staking Slope Stakes	455.000 LF	_____.	_____.
0124	690.0150 Sawing Asphalt	972.000 LF	_____.	_____.
0126	690.0250 Sawing Concrete	60.000 LF	_____.	_____.
0128	740.0440 Incentive IRI Ride	15,720.000 DOL	1.00000	15,720.00





Proposal Schedule of Items

Proposal ID: 20220308031 Project(s): 6320-00-73

Federal ID(s): WISC 2021446

SECTION: 0001

Contract Items

Alt Set ID:

Alt Mbr ID:

Proposal Line Number	Item ID Description	Approximate Quantity and Units	Unit Price	Bid Amount
0130	ASP.1T0A On-the-Job Training Apprentice at \$5.00/HR	600.000 HRS	5.00000	3,000.00
0132	ASP.1T0G On-the-Job Training Graduate at \$5.00/HR	1,200.000 HRS	5.00000	6,000.00
0134	614.0396 Guardrail Mow Strip Asphalt	10.000 SY	_____	_____
Section: 0001			Total:	_____
			Total Bid:	_____

