



Wisconsin Department of Transportation

June 28, 2022

Division of Transportation Systems Development
Bureau of Project Development
4822 Madison Yards Way, 4th Floor South
Madison, WI 53705

Telephone: (608) 266-1631
Facsimile (FAX): (608) 266-8459

NOTICE TO ALL CONTRACTORS:

Proposal #01: 3080-01-40, N/A
Madison - Cambridge
CTH AB Overpass
USH 12
Dane County

3080-01-75, WISC 2022450
Madison - Cambridge
CTH AB Overpass
USH 12
Dane County

3080-01-76, WISC 2022451
Madison - Cambridge
CTH AB Interchange
USH 12
Dane County

Letting of July 12, 2022

This is Addendum No. 01, which provides for the following:

Special Provisions:

Revised Special Provisions	
Article No.	Description
49	General Provisions for City of Madison Storm Sewer.

Added Special Provisions	
Article No.	Description
133	CIP Outlet Control Structure Pond A, Item SPV.0060.67; CIP Outlet Control Structure Pond B, Item SPV.0060.68.
134	Outlet Control Structure Pond C, Item SPV.0060.12; Outlet Control Structure Pond D, Item SPV.0060.14.

Deleted Special Provisions	
Article No.	Description
36	Removing Chain Link Gate, Item 204.9060.S.01
80	Outlet Control Structure Pond A, Item SPV.0060.10; Outlet Control Structure Pond B, Item SPV.0060.11; Outlet Control Structure Pond C, Item SPV.0060.12; Outlet Control Structure Pond D, Item SPV.0060.14.

Schedule of Items:

Revised Bid Item Quantities					
Bid Item	Item Description	Unit	Old Quantity	Revised Quantity	Proposal Total
204.0170	Removing Fence	LF	15,641	-1,454	14,187
521.1018	Apron Endwalls for Culvert Pipe Steel 18-inch	Each	12	-8	4
521.3118	Culvert Pipe Corrugated Steel 18-inch	LF	174	-92	82
522.0124	Culvert Pipe Reinforced Concrete Class III 24-inch	LF	544	-174	370
522.1012	Apron Endwalls for Culvert Pipe Reinforced Concrete 12-inch	Each	9	-1	8
522.1018	Apron Endwalls for Culvert Pipe Reinforced Concrete 18-inch	Each	31	-3	28
522.1024	Apron Endwalls for Culvert Pipe Reinforced Concrete 24-inch	Each	22	-5	17
522.1030	Apron Endwalls for Culvert Pipe Reinforced Concrete 30-inch	Each	8	-2	6
608.0312	Storm Sewer Pipe Reinforced Concrete Class III 12-inch	LF	1,919	-635	1,284
608.0318	Storm Sewer Pipe Reinforced Concrete Class III 18-inch	LF	1,210	-210	1,000
608.0324	Storm Sewer Pipe Reinforced Concrete Class III 24-inch	LF	1,018	-457	561
646.7120	Marking Diagonal Epoxy 12-inch	LF	540	140	680

Added Bid Item Quantities					
Bid Item	Item Description	Unit	Old Quantity	Revised Quantity	Proposal Total
520.1012	Apron Endwalls for Culvert Pipe 12-inch	Each	0	1	1
520.1018	Apron Endwalls for Culvert Pipe 18-inch	Each	0	14	14
520.1024	Apron Endwalls for Culvert Pipe 24-inch	Each	0	4	4
520.1030	Apron Endwalls for Culvert Pipe 30-inch	Each	0	2	2
520.3318	Culvert Pipe Class III-A 18-inch	LF	0	174	174
520.3324	Culvert Pipe Class III-A 24-inch	LF	0	174	174
608.3012	Storm Sewer Pipe Class III-A 12-inch	LF	0	594	594
608.3018	Storm Sewer Pipe Class III-A 18-inch	LF	0	391	391
608.3024	Storm Sewer Pipe Class III-A 24-inch	LF	0	97	97
608.3030	Storm Sewer Pipe Class III-A 30-inch	LF	0	124	124
SPV.0060.67	CIP Outlet Control Structure Pond A	Each	0	1	1
SPV.0060.68	CIP Outlet Control Structure Pond B	Each	0	1	1

Deleted Bid Item Quantities					
Bid Item	Item Description	Unit	Old Quantity	Revised Quantity	Proposal Total
204.9060.S.01	Removing Chain Link Gate	Each	1	-1	0
608.0330	Storm Sewer Pipe Reinforced Concrete Class III 30-inch	LF	124	-124	0
SPV.0060.10	Outlet Control Structure Pond A	Each	1	-1	0
SPV.0060.11	Outlet Control Structure Pond B	Each	1	-1	0

Plan Sheets:

Revised Plan Sheets	
Plan Sheet	Plan Sheet Title (brief description of changes to sheet)
34	Construction Detail-Millpond Infield-Optional Waste Site (increased top slope along alignment from 1% to 2%)
42	Drainage Pond Detail (revised item name callouts)
43	Drainage Pond Detail (revised item name callout)
44	Drainage Pond Detail (revised item name callout)
80	Removal Plan (revised removing fence limits)
190	Storm Sewer: CTH AB/Millpond Road (revised SS pipe & AEW materials)
191	Storm Sewer: CTH AB (revised SS pipe & AEW materials)
192	Storm Sewer: CTH AB (revised SS pipe & AEW materials)
196	Storm Sewer: CTH AB (revised SS pipe & AEW materials)
197	Storm Sewer: CTH AB (revised SS pipe & AEW materials)
307	Pavement Marking (added Marking Diagonal Epoxy 12-inch to Millpond Road)
474	Miscellaneous Quantities (switched bid item for culvert pipes)
477	Miscellaneous Quantities (switched bid items for SS pipes)
478	Miscellaneous Quantities (switched bid items for SS pipes)
479	Miscellaneous Quantities (switched bid items for SS AEWs)
481	Miscellaneous Quantities (switched bid items for SS AEWs)
493	Miscellaneous Quantities (revised table for removing fence/gate)
509	Miscellaneous Quantities (switched bid item for culvert pipes)
515	Miscellaneous Quantities (revised item names in Pond A and Pond B drainage tables)
548	Miscellaneous Quantities (revised quantity for Marking Diagonal Epoxy 12-inch)
585	Plan and Profile: CTH AB – 'NB' (revised culvert pipe material)
588	Plan and Profile: CTH AB – 'SB' (revised culvert pipe material)
599	Plan and Profile: Millpond Road (added culvert callout in profile)
1323	Cross Sections: Millpond Infield (revised elevations for top of waste site)
1324	Cross Sections: Millpond Infield (revised elevations for top of waste site)
1325	Cross Sections: Millpond Infield (revised elevations for top of waste site)
1326	Cross Sections: Millpond Infield (revised elevations for top of waste site)
1327	Cross Sections: Millpond Infield (revised elevations for top of waste site)

Other

ASP-5 has been revised and is added to this addendum.

The responsibility for notifying potential subcontractors and suppliers of these changes remains with the prime contractor.

Sincerely,

Mike Coleman

Proposal Development Specialist
Proposal Management Section

ADDENDUM NO. 01

3080-01-40/3080-01-75/3080-01-76

June 28, 2022

Special Provisions

36. Deleted

49. General Provisions for City of Madison Storm Sewer

Replace paragraph six with the following:

Construct catch basins, manholes and inlets using the cast in place concrete masonry option. All structures shall be reinforced concrete. Concrete brick and block options are prohibited.

80. Deleted

**133. CIP Outlet Control Structure Pond A, Item SPV.0060.67;
CIP Outlet Control Structure Pond B, Item SPV.0060.68.**

A Description

Furnish and install a CIP Outlet Control Structure Pond according to the pertinent provisions of standard spec 611, the general provisions for City of Madison Storm Sewer, the as shown on the plans, and as hereinafter provided. Furnish and install a trash rack on the outlet control structure and according to the pertinent provisions of standard spec 506 and 513, as shown on the plans and as hereinafter provided. Provide orifice holes and PVC pipe and fittings as shown on the plan. Provide concrete to fill the bottom of the structure as shown on the plans.

B Materials

Furnish manhole materials according to standard spec 611.

Furnish concrete according to applicable provisions of standard spec 501.

Furnish steel conforming to the requirements of standard spec 506.2.2.1. Furnish steel galvanizing according to ASTM A123 and ASTM 1153 as applicable.

Trash rack shall be fabricated from structural steel shapes, flat bar and plates, and shall be galvanized after fabrication. Shop drawings for the trash rack shall be submitted to the engineer for approval prior to fabricating the trash rack.

Furnish bolts, nuts and washers for the installation of the trash rack onto the outlet control structure according to standard spec 513.2.1.

C Construction

Construct CIP Outlet Control Structure Pond according to the applicable provisions of standard spec 611.3.

D Measurement

The department will measure CIP Outlet Control Structure Pond as each individual structure, acceptably completed.

E Payment

The department will pay for measured quantities at the contract unit price under the following bid items:

ITEM NUMBER	DESCRIPTION	UNIT
SPV.0060.67	CIP Outlet Control Structure Pond A	EACH
SPV.0060.68	CIP Outlet Control Structure Pond B	EACH

Payment is full compensation for providing and placing all materials, including all masonry, steel and pipe connections, and other fittings; furnishing and installing trash rack; for providing orifice hole, PVC, and fittings; for furnishing, placing, protecting and curing concrete to fill the structure bottom; for furnishing all excavating, backfilling, disposing of surplus material, and cleaning out of structure.

Work associated with constructing the clay anti-seep collar will be paid for separately.

134. Outlet Control Structure Pond C, Item SPV.0060.12; Outlet Control Structure Pond D, Item SPV.0060.14.

A Description

Furnish and install an Outlet Control Structure Pond according to the pertinent provisions of standard spec 611, as shown on the plans, and as hereinafter provided. Furnish and install a trash rack on the outlet control structure and according to the pertinent provisions of standard spec 506 and 513, as shown on the plans and as hereinafter provided. Provide orifice holes and PVC pipe and fittings as shown on the plan. Provide concrete to fill the bottom of the structure as shown on the plans.

B Materials

Furnish manhole materials according to standard spec 611.

Furnish concrete according to applicable provisions of standard spec 501.

Furnish steel conforming to the requirements of standard spec 506.2.2.1. Furnish steel galvanizing according to ASTM A123 and ASTM 1153 as applicable.

Trash rack shall be fabricated from structural steel shapes, flat bar and plates, and shall be galvanized after fabrication. Shop drawings for the trash rack shall be submitted to the engineer for approval prior to fabricating the trash rack.

Furnish bolts, nuts and washers for the installation of the trash rack onto the outlet control structure according to standard spec 513.2.1.

C Construction

Construct Outlet Control Structure Pond according to the applicable provisions of standard spec 611.3.

D Measurement

The department will measure Outlet Control Structure Pond as each individual structure, acceptably completed.

E Payment

The department will pay for measured quantities at the contract unit price under the following bid items:

ITEM NUMBER	DESCRIPTION	UNIT
SPV.0060.12	Outlet Control Structure Pond C	EACH
SPV.0060.14	Outlet Control Structure Pond D	EACH

Payment is full compensation for providing and placing all materials, including all masonry, steel and pipe connections, and other fittings; furnishing and installing trash rack; for providing orifice hole, PVC, and fittings; for furnishing, placing, protecting and curing concrete to fill the structure bottom; for furnishing all excavating, backfilling, disposing of surplus material, and cleaning out of structure.

Work associated with constructing the clay anti-seep collar will be paid for separately.

Schedule of Items

Attached, dated June 28, 2022, are the revised Schedule of Items Pages 1 – 30.

Plan Sheets

The following 8½ x 11-inch sheets are attached and made part of the plans for this proposal:

Revised 34, 42, 43, 44, 80, 190, 191, 196, 197, 307, 474, 477, 478, 479, 481, 493, 509, 515, 548, 585, 588, 599, 1323, 1324, 1325, 1326 and 1327.

END OF ADDENDUM

ADDITIONAL SPECIAL PROVISIONS 5 FUEL COST ADJUSTMENT

A Description

Fuel Cost Adjustments will be applied to partial and final payments for work items categorized in Section B as a payment to the contractor or a credit to the department. ASP-5 shall not apply to any force account work.

B Categories of Work Items

The following items and Fuel Usage Factors shall be used to determine Fuel Cost Adjustments:

(1) Earthwork.		Unit	Gal. Fuel Per Unit
205.0100	Excavation Common	CY	0.23
205.0200	Excavation Rock	CY	0.39
205.0400	Excavation Marsh	CY	0.29
208.0100	Borrow	CY	0.23
208.1100	Select Borrow	CY	0.23
209.1100	Backfill Granular Grade 1	CY	0.23
209.1500	Backfill Granular Grade 1	Ton	0.115
209.2100	Backfill Granular Grade 2	CY	0.23
209.2500	Backfill Granular Grade 2	Ton	0.115
350.0102	Subbase	CY	0.28
350.0104	Subbase	Ton	0.14
350.0115	Subbase 6-Inch	SY	0.05
350.0120	Subbase 7-Inch	SY	0.05
350.0125	Subbase 8-Inch	SY	0.06
350.0130	Subbase 9-Inch	SY	0.07
350.0135	Subbase 10-Inch	SY	0.08
350.0140	Subbase 11-Inch	SY	0.09
350.0145	Subbase 12-Inch	SY	0.09

C Fuel Index

A Current Fuel Index (CFI) in dollars per gallon will be established by the Department of Transportation for each month. The CFI will be the price of No. 2 fuel oil, as reported in U.S. Oil Week, using the first issue dated that month. The CFI will be the average of prices quoted for Green Bay, Madison, Milwaukee and Minneapolis.

The base Fuel Index (BFI) for this contract is \$5.00 per gallon.

D Computing the Fuel Cost Adjustment

The engineer will compute the ratio CFI/BFI each month. If the ratio falls between 0.85 and 1.15, inclusive, no fuel adjustment will be made for that month. If the ratio is less than 0.85 a credit to the department will be computed. If the ratio is greater than 1.15 additional payment to the contractor will be computed. Credit or additional payment will be computed as follows:

- (1) The engineer will estimate the quantity of work done in that month under each of the contract items categorized in Section B.
- (2) The engineer will compute the gallons of fuel used in that month for each of the contract items categorized in Section B by applying the unit fuel usage factors shown in Section B.
- (3) The engineer will summarize the total gallons (Q) of fuel used in that month for the items categorized in Section B.
- (4) The engineer will determine the Fuel Cost Adjustment credit or payment from the following formula:

$$FA = \left(\frac{CFI}{BFI} - 1 \right) \times Q \times BFI$$

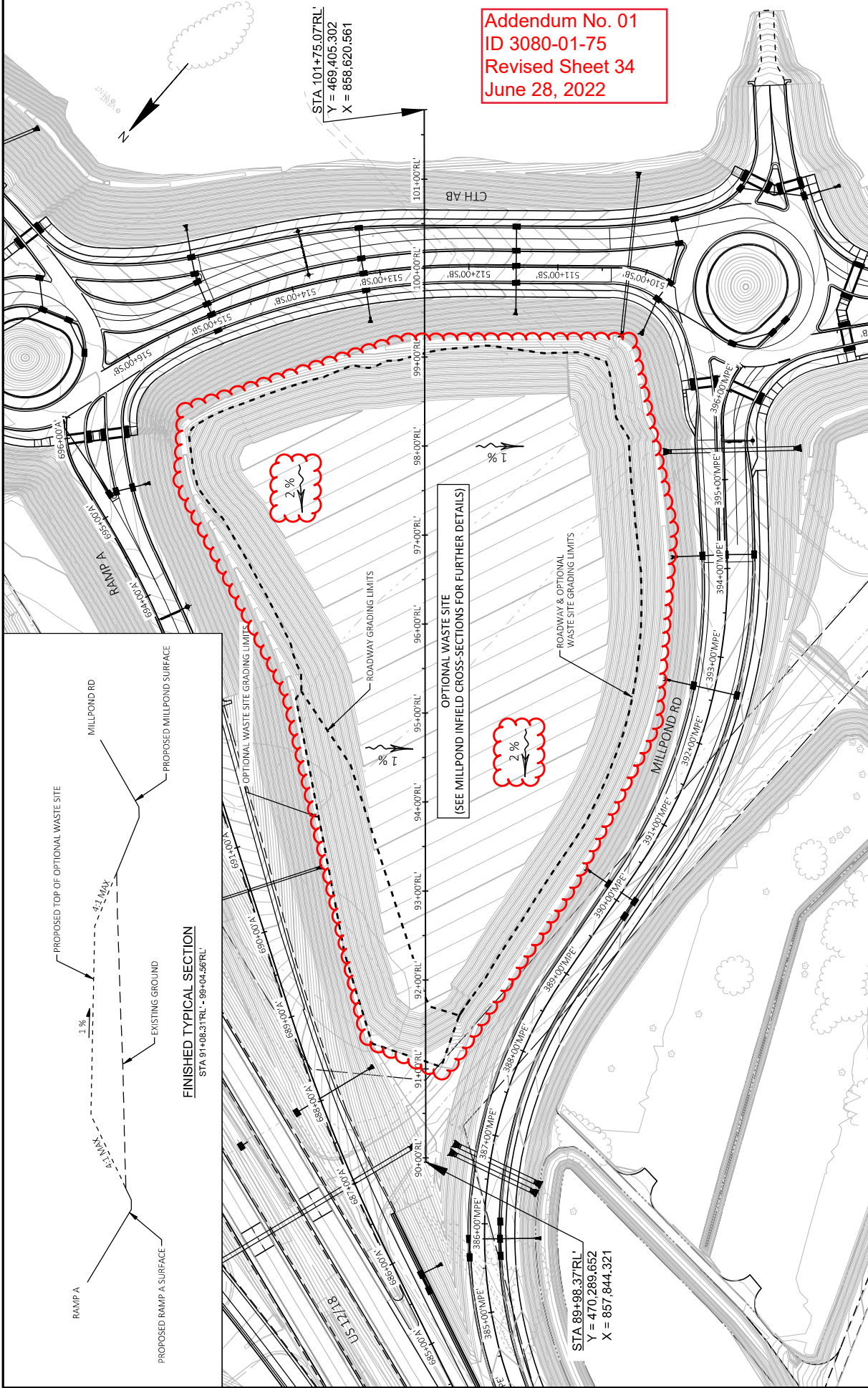
(plus is payment to contractor; minus is credit to the department)

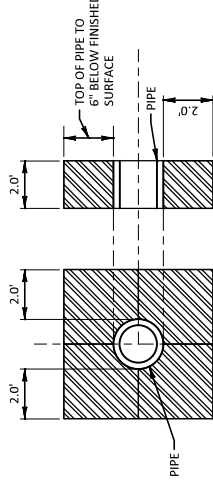
Where	FA	=	Fuel Cost Adjustment (plus or minus)
	CFI	=	Current Fuel Index
	BFI	=	Base Fuel Index
	Q	=	Monthly total gallons of fuel

E Payment

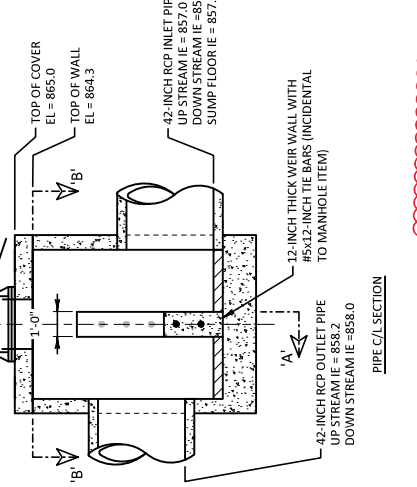
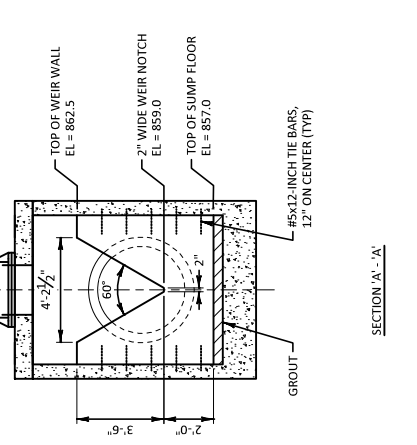
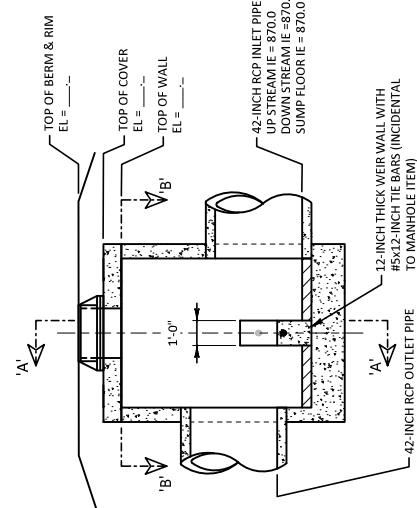
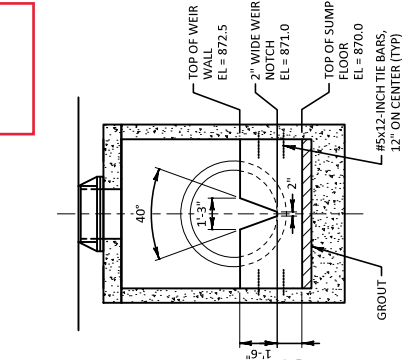
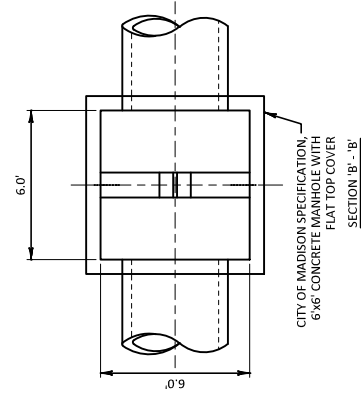
A Fuel Cost Adjustment credit to the department will be deducted as a dollar amount each month from any sums due to the contractor. A Fuel Cost Adjustment payment to the contractor will be made as a dollar amount each month.

Upon completion of the work under the contract, any difference between the estimated quantities and the final quantities will be determined. An average CFI, calculated by averaging the CFI for all months that fuel cost adjustment was applied, will be applied to the quantity differences. The average CFI shall be applied in accordance with the procedure set forth in Section D.



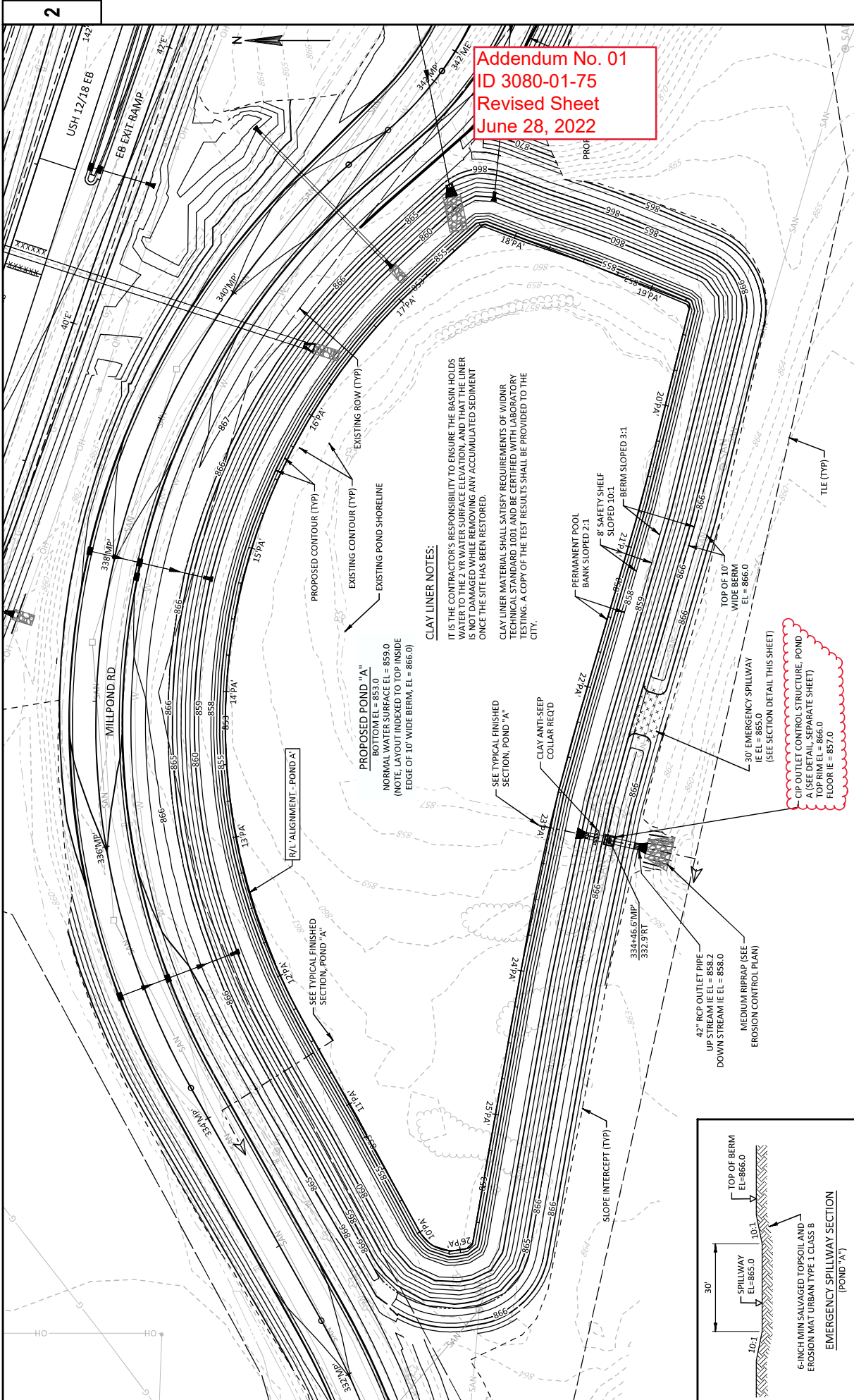


Addendum No. 01
 ID 3080-01-76
 Revised Sheet 42
 June 28, 2022



CIP OUTLET CONTROL STRUCTURE POND "B"

CIP OUTLET CONTROL STRUCTURE POND "A"

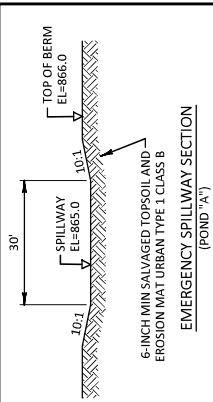


Addendum No. 01
ID 3080-01-75
Revised Sheet
June 28, 2022

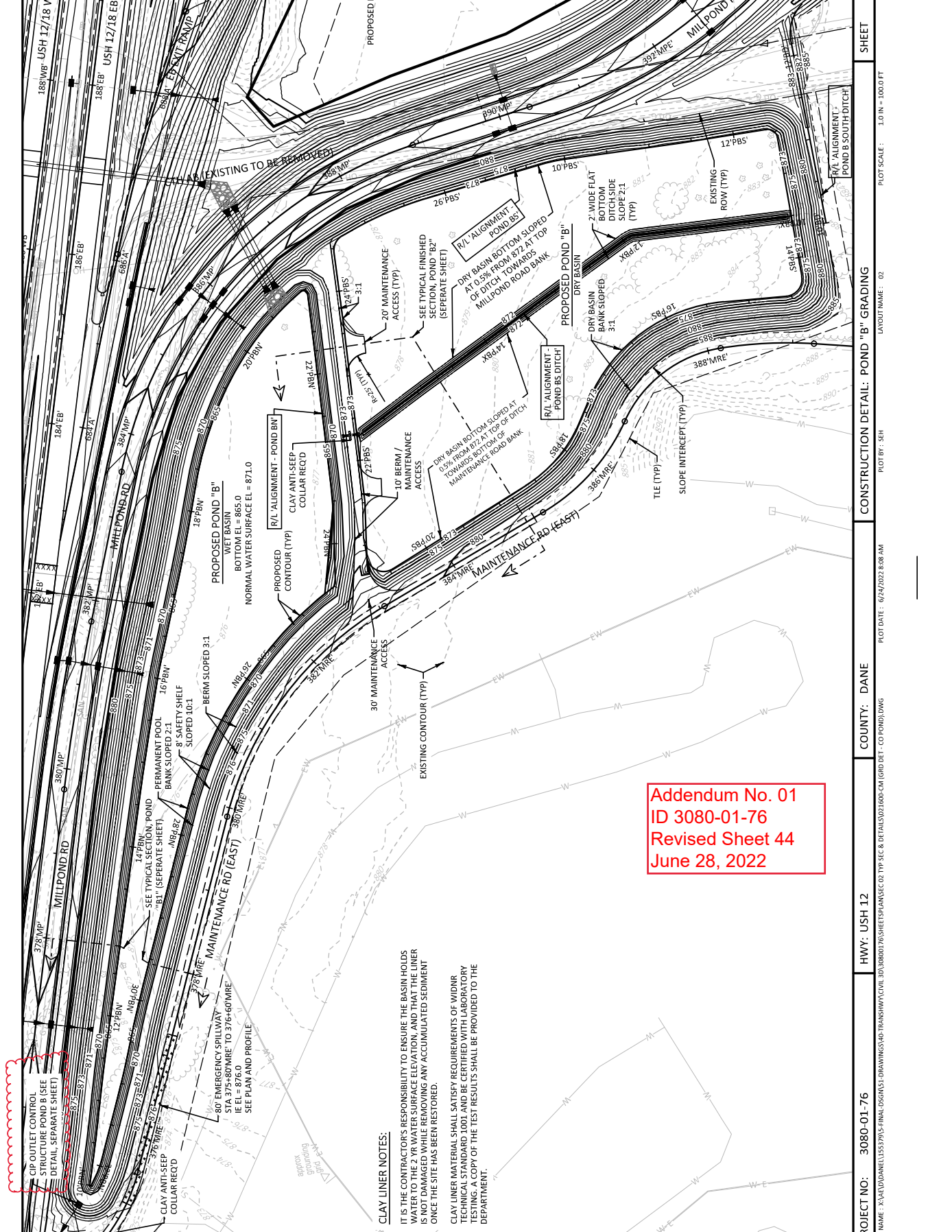
CLAY LINER NOTES:
IT IS THE CONTRACTOR'S RESPONSIBILITY TO ENSURE THE BASIN HOLDS WATER TO THE 2'8" WATER SURFACE ELEVATION, AND THAT THE LINER IS NOT DAMAGED WHILE REMOVING ANY ACCUMULATED SEDIMENT ONCE THE SITE HAS BEEN RESTORED.
CLAY LINER MATERIAL SHALL SATISFY REQUIREMENTS OF WIDNOR TECHNICAL STANDARD 1001 AND BE CERTIFIED WITH LABORATORY TESTING. A COPY OF THE TEST RESULTS SHALL BE PROVIDED TO THE CITY.

PROPOSED POND "A"
BOTTOM ELEV = 853.0
NORMAL WATER SURFACE ELEV = 859.0
(NOTE: LAYOUT INDEXED TO TOP INSIDE EDGE OF 10' WIDE BERM, ELEV = 866.0)

- CIP OUTLET CONTROL STRUCTURE, POND A (SEE DETAIL, SEPARATE SHEET)
TOP RIM ELEV = 866.0
FLOOR ELEV = 857.0



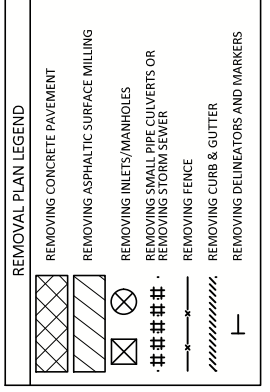
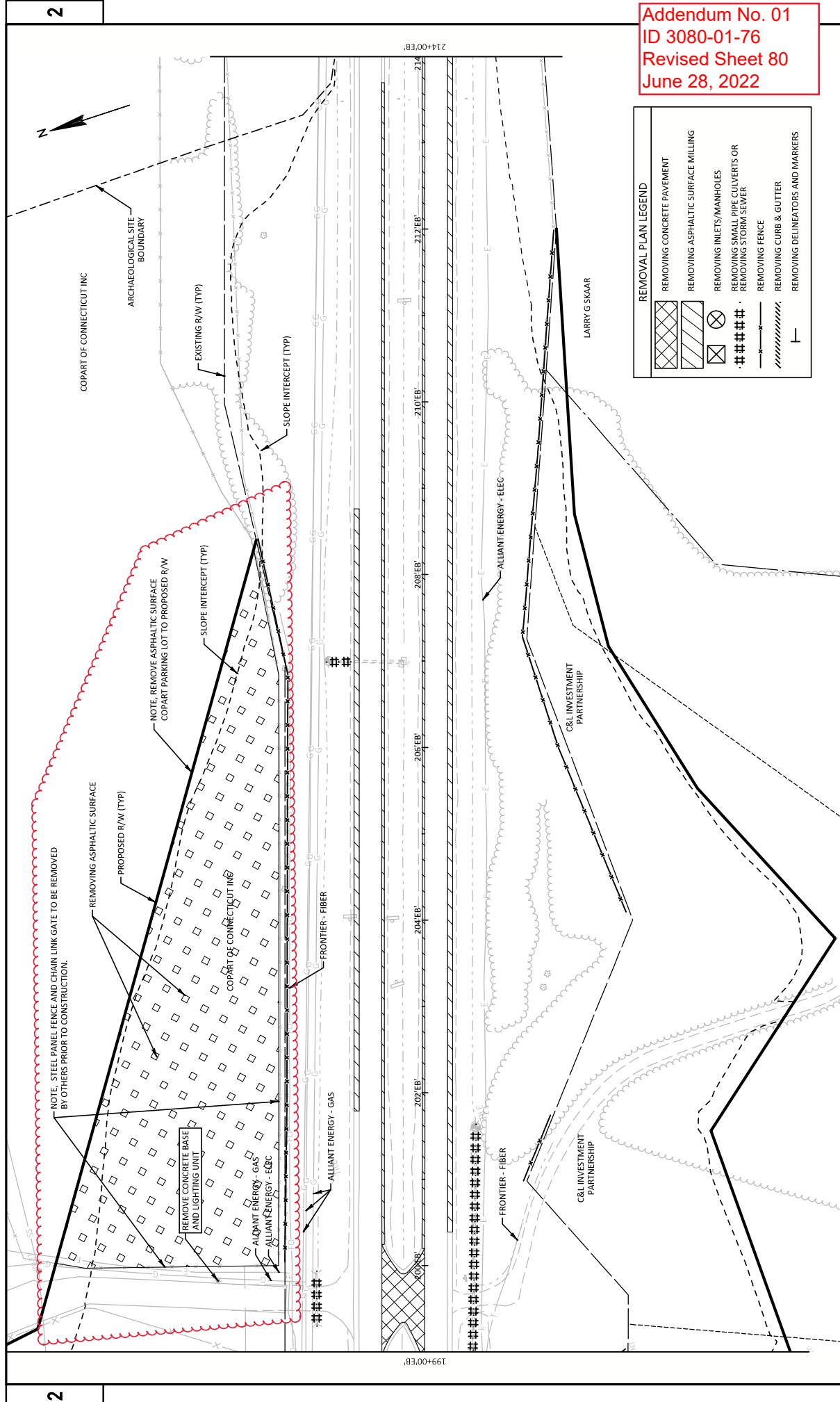
PROJECT NO: 3080-01-76	HWY: USH 12	COUNTY: DANE	CONSTRUCTION DETAIL: POND "A" GRADING	SHEET 43
FILE NAME: \A:\E\DANE\153795-FINAL\DSGN\51-DRAWINGS\40-TRANSMY\CIVIL_3D\30800176\SHEETS\PLAN\SEC.02.TYP SEC & DETAILS\3021600-CM (GRD DET - CO POND).DWG				
PLOT DATE: 6/24/2022 8:08 AM				
PLOT BY: SFH				
LAYOUT NAME: 01				
PLOT SCALE: 1.0 IN = 60.0 FT				
WSDOT/CADDIS SHEET 42				



Addendum No. 01
ID 3080-01-76
Revised Sheet 44
June 28, 2022

CLAY LINER NOTES:
 IT IS THE CONTRACTOR'S RESPONSIBILITY TO ENSURE THE BASIN HOLDS WATER TO THE 2 YR WATER SURFACE ELEVATION AND THAT THE LINER IS NOT DAMAGED WHILE REMOVING ANY ACCUMULATED SEDIMENT ONCE THE SITE HAS BEEN RESTORED.
 CLAY LINER MATERIAL SHALL SATISFY REQUIREMENTS OF WIDNIR TECHNICAL STANDARD 1001 AND BE CERTIFIED WITH LABORATORY TESTING. A COPY OF THE TEST RESULTS SHALL BE PROVIDED TO THE DEPARTMENT.

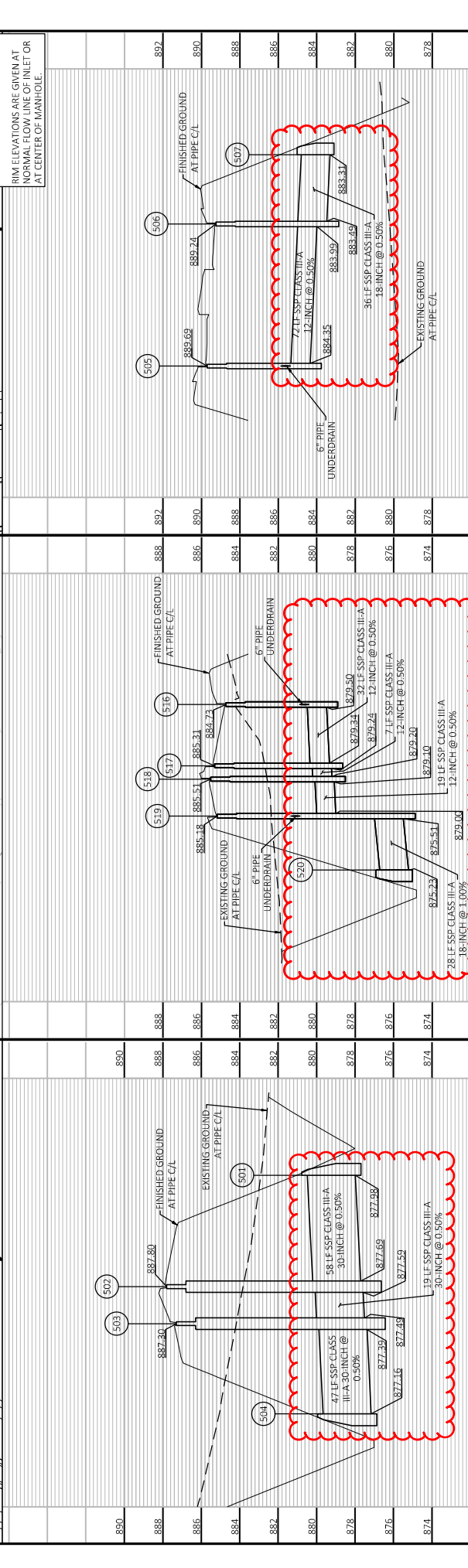
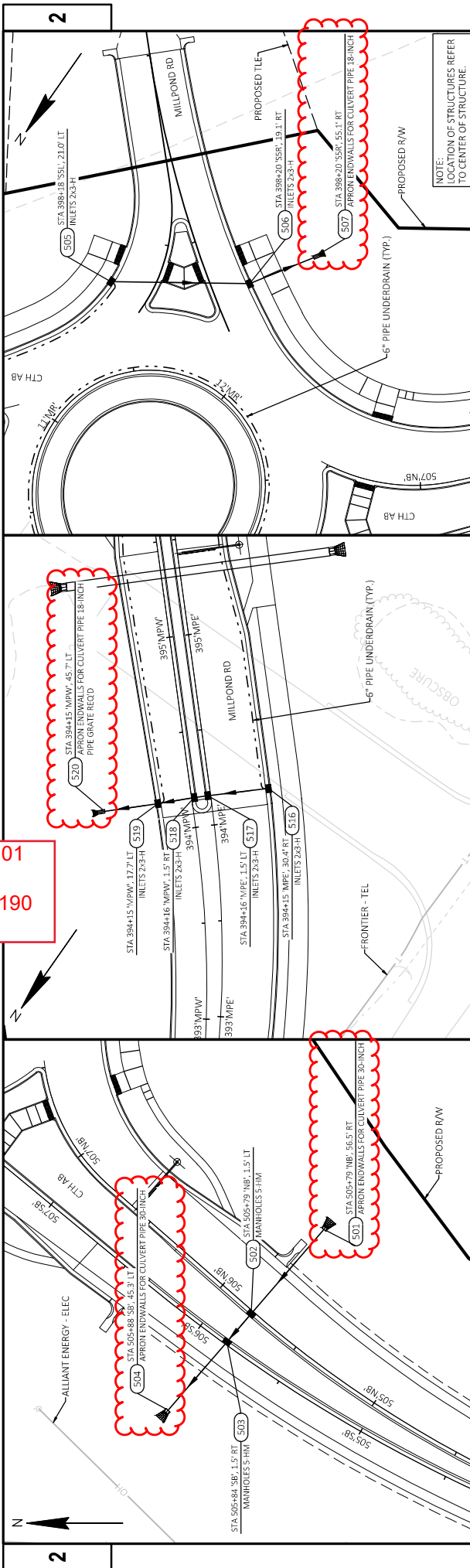
Addendum No. 01
 ID 3080-01-76
 Revised Sheet 80
 June 28, 2022



2

2

PROJECT NO: 3080-01-76	COUNTY: DANE	SHEET: 80	E
HWY: USH 12	REMOVAL PLAN	LAYOUT NAME: 07	WSDOT/CADDS SHEET 42
FILE NAME: X:\AED\DANELL15379\5-FINAL\DSGN\5-DRAWINGS\40-TRANS\HY\CIVIL_3D\30800176\SHEETS\PLAN\SEC.01_TYP_SEC & DETAILS\301100-RM (REMOVAL PLAN).DWG	PLOT DATE: 6/24/2022 9:27 AM	PLOT SCALE: 1.0" IN = 100.0 FT	
	DESIGNER: DANE	LAYOUT NAME: 07	

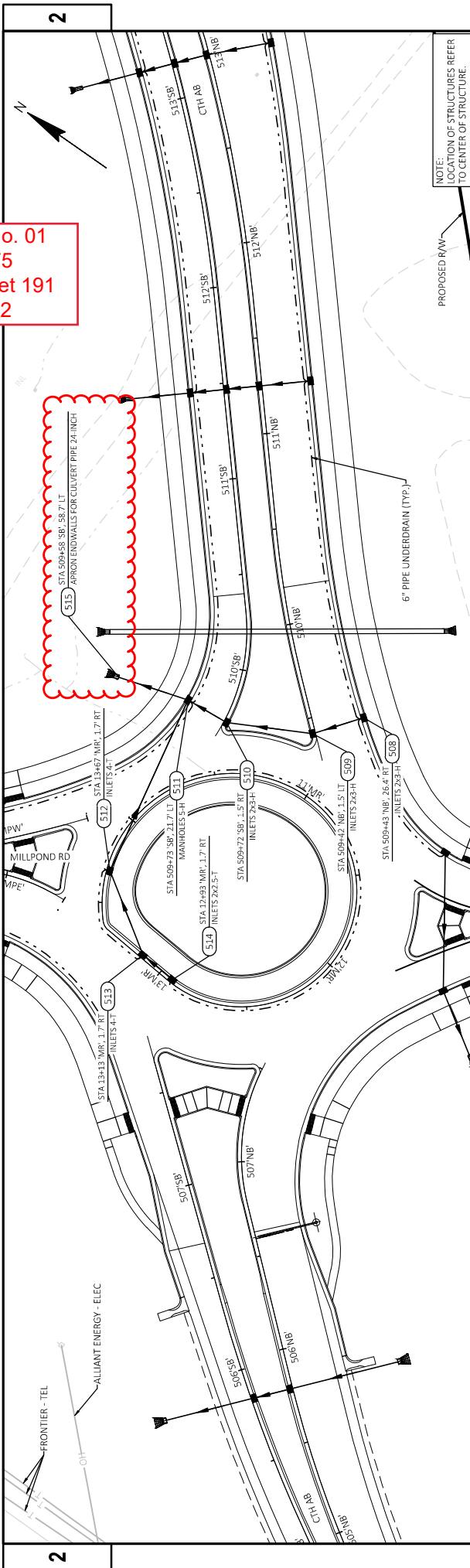


PROJECT NO:	3080-01-75	HWY: USH 12	COUNTY: DANE	STORM SEWER: CTH AB/MILLPOND ROAD	SHEET: 190	E
FILE NAME:	I:\7470342 CTH AB INTERCHANGE\CD\SHSHE\PLAN\30800105_032501.LS.DWG		LAYOUT NAME: S5-1	PLOT DATE: 6/20/2022 3:05 PM	PLOT NAME: BUTTERS, BRADLEY	PLOT SCALE: 1 IN=50 FT
890	888	886	884	882	880	878
888	886	884	882	880	878	876
886	884	882	880	878	876	874
884	882	880	878	876	874	872
882	880	878	876	874	872	870
880	878	876	874	872	870	868
878	876	874	872	870	868	866
876	874	872	870	868	866	864
874	872	870	868	866	864	862

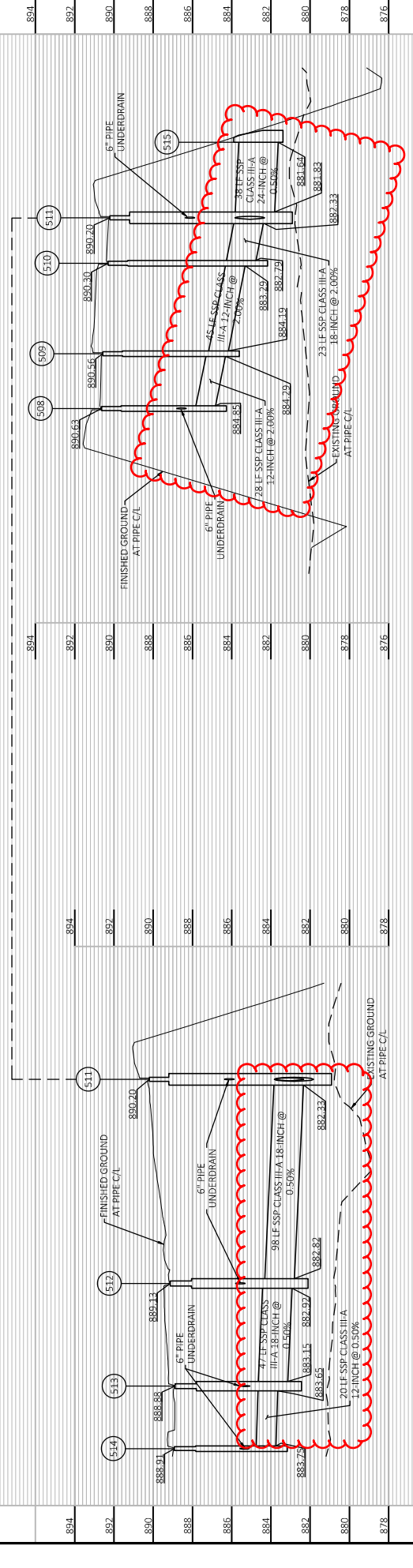
Addendum No. 01
 ID 3080-01-75
 Revised Sheet 190
 June 28, 2022

NOTE:
 LOCATION OF STRUCTURES REFER
 TO CENTER OF STRUCTURE.
 RIM ELEVATIONS ARE GIVEN AT
 NOSE OF MANHOLE INLET FOR
 AT CENTER OF MANHOLE.

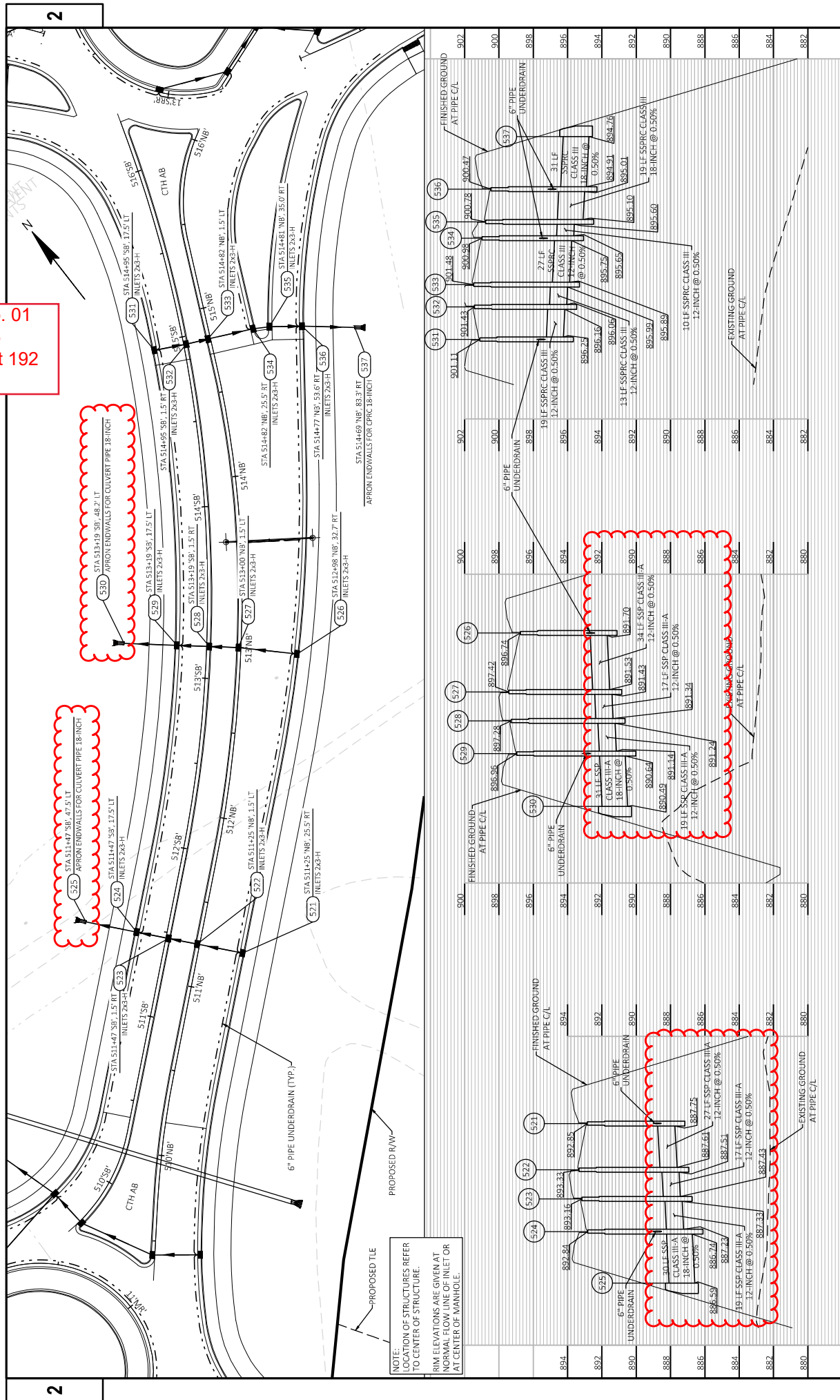
Addendum No. 01
 ID 3080-01-75
 Revised Sheet 191
 June 28, 2022



NOTE:
 LOCATION OF STRUCTURES REFER
 TO CENTER OF STRUCTURE.
 RIM ELEVATIONS ARE GIVEN AT
 TOP OF MANHOLE INLET OR
 AT CENTER OF MANHOLE.

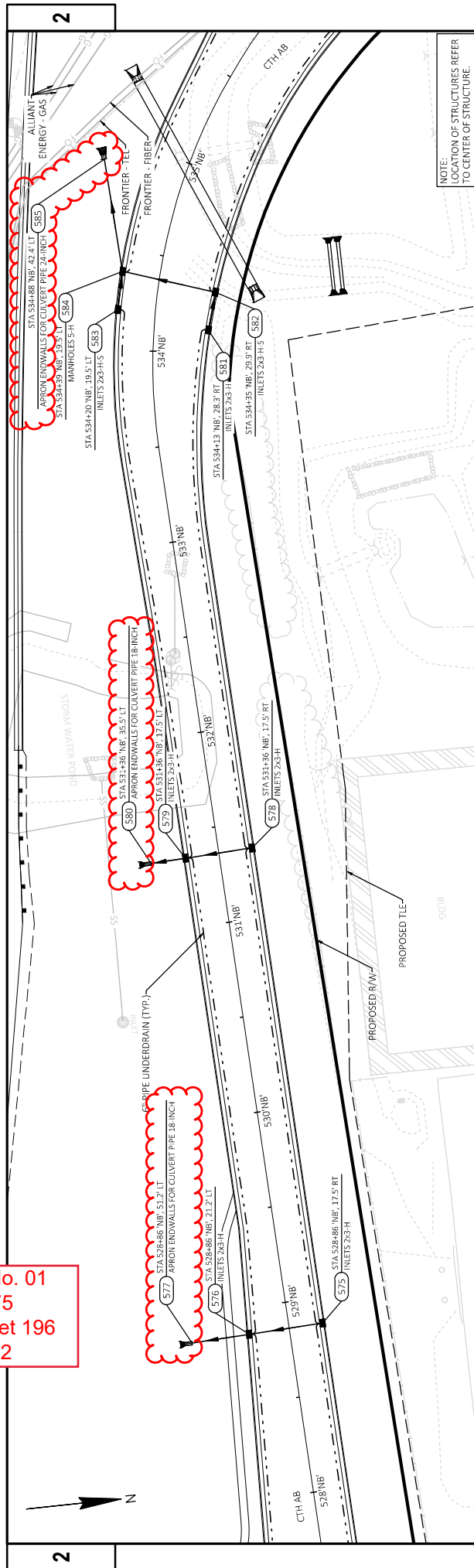


Addendum No. 01
ID 3080-01-75
Revised Sheet 192
June 28, 2022

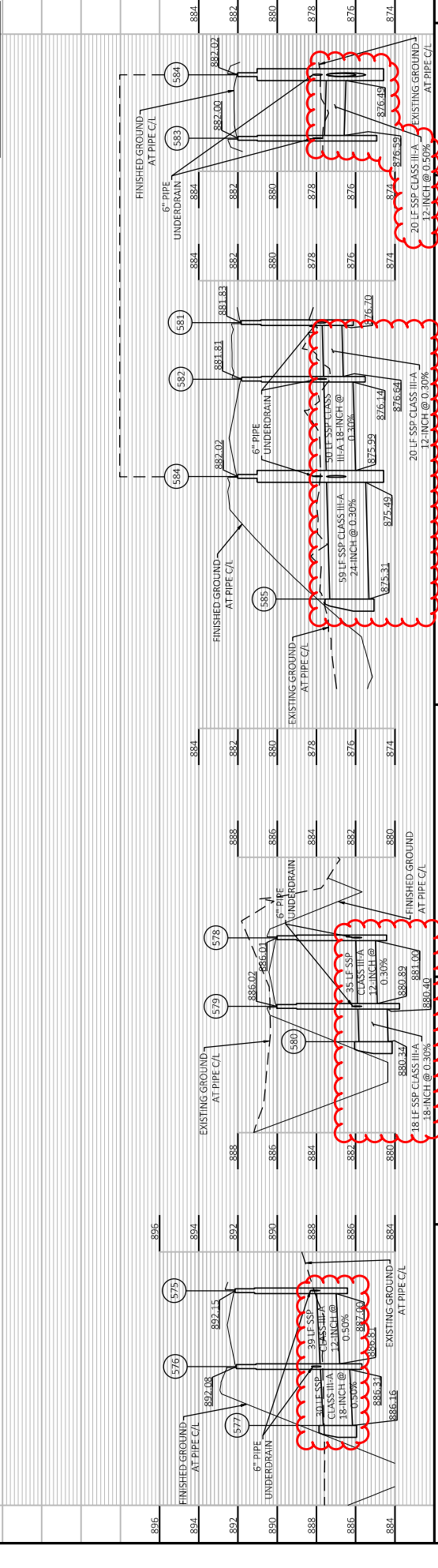


PROJECT NO:	3080-01-75	HWY:	USH 12	COUNTY:	DANE	STORM SEWER:	CTH AB	PLOT NAME:	BUTTERS, BRADLEY	PLOT SCALE:	1 IN=50 FT	SHEET	192	E
FILE NAME:	I:\A7470342 CTH AB INTERCHANGE\CD\SHSHP\PLAN\30800105_022501_SS.DWG													
LAYOUT NAME:	SS-3													
PLOT DATE:	6/17/2022 4:54 PM													

Addendum No. 01
 ID 3080-01-75
 Revised Sheet 196
 June 28, 2022

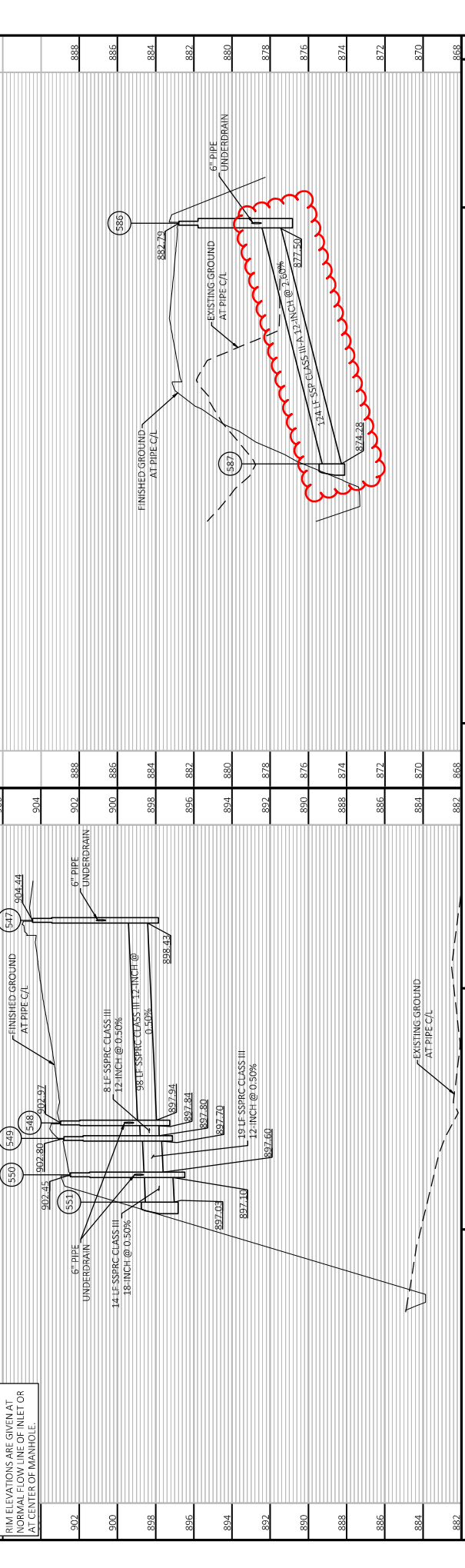
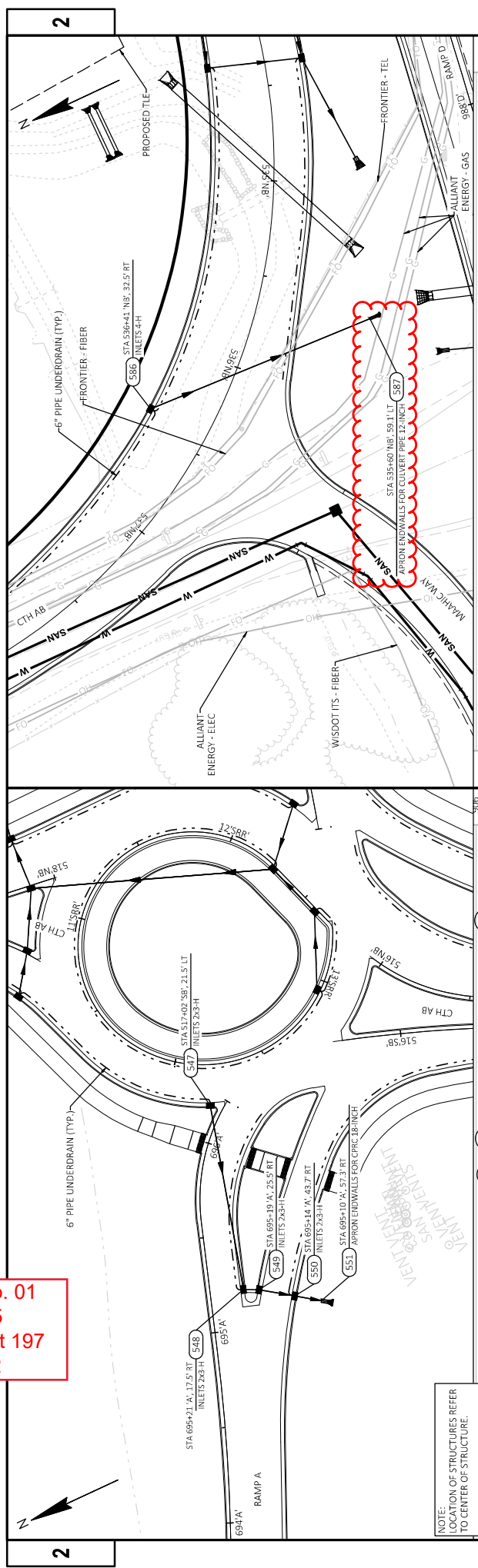


NOTE:
 LOCATION OF STRUCTURES REFER
 TO CENTER OF STRUCTURE.
 RIM ELEVATIONS ARE GIVEN AT
 NO CENTER OF MANHOLE INLET OR
 AT CENTER OF MANHOLE.



PROJECT NO: 3080-01-75
 COUNTY: DANE
 HWY: USH 12
 STORM SEWER: CTH AB
 SHEET: 196
 E

Addendum No. 01
 ID 3080-01-75
 Revised Sheet 197
 June 28, 2022



NOTE:
 LOCATION OF STRUCTURES REFER
 TO CENTER OF STRUCTURE.
 RIM ELEVATIONS ARE GIVEN AT
 TOP OF INLET OR
 AT CENTER OF MANHOLE.

PROJECT NO:	3080-01-75	HWY:	USH 12	COUNTY:	DANE	STORM SEWER:	CTH AB	SHEET:	197	E
FILE NAME:	I:\V7\70242 CTH AB INTERCHANGE\CD\SHSHEEPS\PLAN\30800105_022501_LS.DWG									
LAYOUT NAME:	SS-8									
PLOT DATE:	6/17/2022 4:55 PM									
PLOT BY:	BUTTERIS, BRADLEY									
PLOT NAME:	1 IN=50 FT									

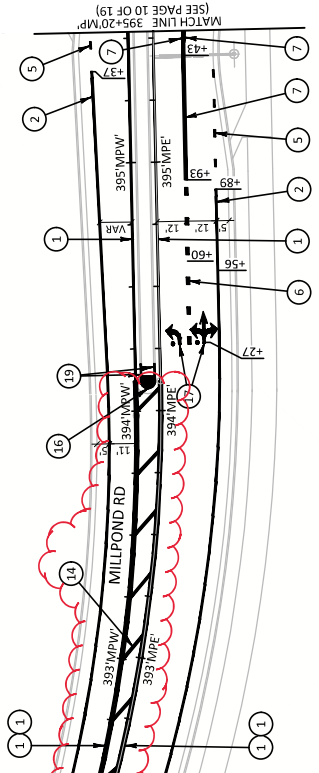
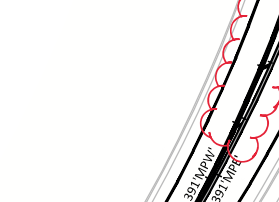
Addendum No. 01
ID 3080-01-75/76
Revised Sheet 307
June 28, 2022

KEYNOTE LEGEND: PAVEMENT MARKING

1	MARKING LINE EPOXY 4-INCH (YELLOW)
2	MARKING LINE EPOXY 4-INCH (WHITE)
5	MARKING LINE EPOXY 4-INCH (WHITE) (3.0 FT LINE 9.0 FT SKIP)
6	MARKING LINE EPOXY 8-INCH (WHITE) (3.0 FT LINE 9.0 FT SKIP)
7	MARKING LINE EPOXY 8-INCH (WHITE)
14	MARKING DIAGONAL EPOXY 12-INCH (YELLOW) (25.0 FT C-C)
15	MARKING SAND-ROSE EPOXY (YELLOW)
17	MARKING ARROW EPOXY (WHITE)
19	MARKING CURB EPOXY (YELLOW)



SEE PAGE 06 OF 19



MATCH LINE 395+20.00' (SEE PAGE 10 OF 19)

CULVERT ITEMS

PROJECT NUMBER	CATEGORY	STAGE	STATION	OFFSET	ELEV. (FT)	STATION	OFFSET	ELEV. (FT)	SLOPE (%)	PIPE THICKNESS (IN)	LOCATION	APRON ENDWALLS FOR CULVERT PIPE 18 INCH EACH	APRON ENDWALLS FOR CULVERT PIPE 24 INCH EACH	CULVERT PIPE CLASS III-A 18 INCH LF	CULVERT PIPE CLASS III-A 24 INCH LF	CULVERT PIPE CLASS III-A 36 INCH LF	CULVERT PIPE CLASS III-A 42 INCH LF	CULVERT PIPE CLASS III-A 48 INCH LF	APRON ENDWALLS FOR CULVERT PIPE 24 INCH EACH	APRON ENDWALLS FOR CULVERT PIPE 30 INCH EACH	CULVERT PIPE CLASS III-A 24 INCH LF	CULVERT PIPE CLASS III-A 30 INCH LF	CULVERT PIPE CLASS III-A 36 INCH LF	APRON ENDWALLS FOR CULVERT PIPE 30 INCH EACH	APRON ENDWALLS FOR CULVERT PIPE 36 INCH EACH	MARKERS	JOINT TIES EACH				
3080-01-75	0010	2	395+133	NB	88.5	RT	875.41	395+133	NB	49.5	LT	875.90	0.36%	MILLPOND RD																	
			509+72	NB	77	RT	879.00	509+72	NB	68.0	LT	875.95	0.62%	CTH AB																	
			520+83	NB	115.8	LT	875.61	522+26	NB	170	RT	874.00	0.48%	CTH AB																	
			534+42	NB	48.4	RT	875.00	535+27	NB	41.1	LT	874.50	0.41%	CTH AB																	
STAGE 2 SUBTOTALS												0	2	0	174	138	336	2	122	2	8	36									
3080-01-75	0010	3	502+07	NB	44.3	RT	890.30	502+45	NB	44.4	RT	888.90	3.85%	F.E. RT																	
			502+76	SB	39.2	LT	891.50	503+20	SB	40.4	LT	889.80	3.67%	P.E. LT																	
STAGE 3 SUBTOTALS												4	0	82	0	0	0	0	0	0	0	0									
TOTAL 0010												4	2	82	174	138	336	2	122	2	8	36									

*ADDITIONAL QUANTITIES LISTED ELSEWHERE IN 3080-01-75 PLANS

** NON-BID ITEM: FOR INFORMATION ONLY

*** PIPE INVERT AT END OF PIPE & STATION/OFFSET TO CENTER OF STRUCTURE

COUNTY POND DRAINAGE ITEMS

PROJECT NUMBER	CATEGORY	FROM	TO	PIPE THICKNESS	EACH	PIPE THICKNESS	LF	REMARKS
3080-01-75	0010	DC1	DC2	0.064	4	52	1	4.5 TWC PIPES
TOTAL 0010					4	52	1	4.5

*ADDITIONAL QUANTITIES LISTED ELSEWHERE IN 3080-01-75 P. ANS

Addendum No. 01
 ID 3080-01-75
 Revised Sheet 474
 June 28, 2022

Addendum No. 01
ID 3080-01-75
Revised Sheet 477
June 28, 2022

STORM SEWER PIPE

PROJECT NUMBER	CATEGORY	STAGE	12-INCH		18-INCH		24-INCH		30-INCH		**JOINTS EACH	INLET ELEVATION	DISCHARGE ELEVATION	SLOPE
			UF	LF	UF	LF	UF	LF	UF	LF				
3080-01-75	CD10	2	501	502	-	-	-	-	-	-	5	877.58	877.63	0.0050
			502	503	-	-	-	-	-	-	19	877.59	877.49	0.0050
			503	504	-	-	-	-	-	-	47	877.39	877.15	0.0050
			505	506	-	-	-	-	-	-	72	874.35	863.59	0.0050
			506	507	-	-	-	-	-	-	36	855.49	863.31	0.0050
			508	509	-	-	-	-	-	-	28	854.85	861.29	0.0200
			509	510	-	-	-	-	-	-	45	854.19	862.29	0.0200
			510	511	-	-	-	-	-	-	23	852.79	862.33	0.0200
			514	513	-	-	-	-	-	-	20	852.75	863.65	0.0050
			513	512	-	-	-	-	-	-	47	852.15	862.52	0.0050
			512	511	-	-	-	-	-	-	36	852.82	862.33	0.0050
			511	510	-	-	-	-	-	-	36	851.83	861.64	0.0050
			516	517	-	-	-	-	-	-	7	879.50	879.34	0.0050
			517	518	-	-	-	-	-	-	7	879.24	879.21	0.0050
			518	515	-	-	-	-	-	-	19	879.10	879.00	0.0050
			519	520	-	-	-	-	-	-	28	875.51	875.23	0.0100
			521	522	-	-	-	-	-	-	27	857.75	867.61	0.0050
			522	523	-	-	-	-	-	-	17	857.51	867.45	0.0050
			523	524	-	-	-	-	-	-	19	857.33	867.23	0.0050
			524	525	-	-	-	-	-	-	30	856.74	866.59	0.0050
			525	527	-	-	-	-	-	-	34	851.70	861.53	0.0050
			527	528	-	-	-	-	-	-	17	851.43	861.34	0.0050
			528	529	-	-	-	-	-	-	19	851.24	861.14	0.0050
			529	530	-	-	-	-	-	-	31	850.64	860.43	0.0050
			531	532	-	-	-	-	-	-	19	846.25	855.13	0.0050
			532	533	-	-	-	-	-	-	23	846.06	855.59	0.0050
			533	534	-	-	-	-	-	-	27	845.89	855.75	0.0050
			534	535	-	-	-	-	-	-	10	846.65	856.60	0.0050
			535	536	-	-	-	-	-	-	15	846.10	856.00	0.0050
			536	537	-	-	-	-	-	-	31	845.51	854.75	0.0050
			538	535	-	-	-	-	-	-	41	846.50	858.30	0.0050
			539	541	-	-	-	-	-	-	31	846.20	858.04	0.0050
			540	541	-	-	-	-	-	-	36	846.22	858.04	0.0050
			541	544	-	-	-	-	-	-	27	847.04	856.41	0.0050
			542	543	-	-	-	-	-	-	25	847.79	857.67	0.0050
			543	544	-	-	-	-	-	-	33	847.57	857.41	0.0050
			544	545	-	-	-	-	-	-	28	846.31	856.17	0.0050
			545	546	-	-	-	-	-	-	41	846.07	855.87	0.0050
			547	548	-	-	-	-	-	-	38	846.43	857.54	0.0050
			548	545	-	-	-	-	-	-	8	847.84	857.83	0.0050
			549	550	-	-	-	-	-	-	19	847.70	857.63	0.0050
			550	551	-	-	-	-	-	-	14	847.10	857.03	0.0050
			552	553	-	-	-	-	-	-	18	900.31	900.31	0.0050
			553	554	-	-	-	-	-	-	34	900.21	900.04	0.0050
			554	552	-	-	-	-	-	-	41	896.54	865.73	0.0050
			555	556	-	-	-	-	-	-	34	896.24	865.07	0.0050

PAGE 12 - 5" X 11" SUBTOTALS 453 98 296 356 124 66

**N/CN ITEM - FOR INFORMATION ONLY
CONTINUED ON NEXT PAGE

Addendum No. 01
 ID 3080-01-75
 Revised Sheet 478
 June 28, 2022

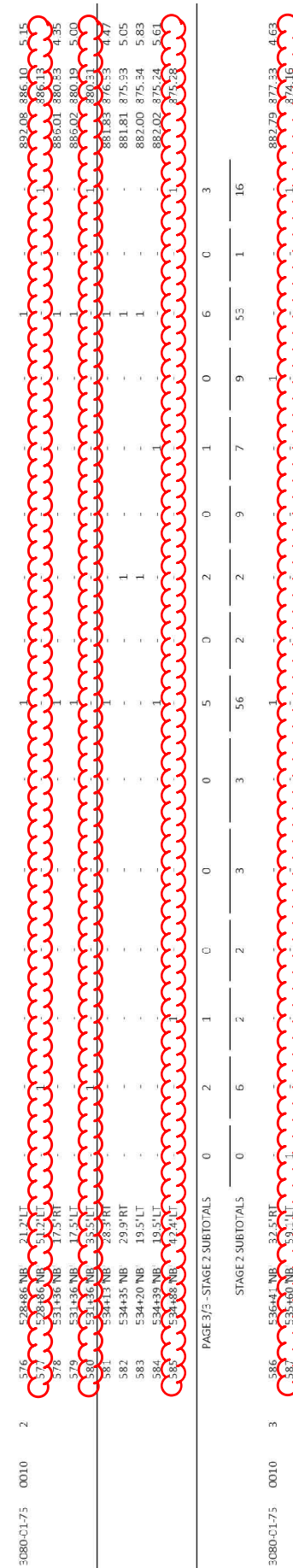
STORM SEWER PIECES (CONTINUED)

PROJECT NUMBER	CATEGORY	STAGE	12-INCH		18-INCH		24-INCH		30-INCH		INLET ELEVATION	DISCHARGE ELEVATION	SLOPE
			LF	LF	LF	LF	LF	LF	LF	LF			
3080-01-75	0010	2	557	-	558	-	-	-	-	-	898.47	898.35	C 0050
			558	-	560	-	-	-	-	-	898.25	898.05	C 0050
			559	-	560	-	-	-	-	-	898.25	898.05	C 0050
			560	-	561	-	102	-	-	-	897.00	896.49	C 0050
			561	-	562	-	33	-	-	-	896.39	896.22	C 0050
			562	-	566	-	104	-	-	-	896.12	895.60	C 0050
			563	-	564	-	15	-	-	-	897.02	896.93	C 0050
			564	-	565	-	5	-	-	-	896.83	896.79	C 0050
			565	-	566	-	15	-	-	-	896.69	896.60	C 0050
			566	-	567	-	22	-	-	-	895.50	895.39	C 0050
			568	-	569	-	25	-	-	-	892.88	892.75	C 0050
			569	-	570	-	5	-	-	-	892.65	892.61	C 0050
			570	-	571	-	57	-	-	-	892.11	891.83	C 0050
			571	-	572	-	6	-	-	-	891.73	891.70	C 0050
			572	-	573	-	20	-	-	-	891.60	891.50	C 0050
			573	-	574	-	29	-	-	-	891.00	890.86	C 0050
			575	-	576	-	35	-	-	-	887.00	886.81	C 0050
			576	-	577	-	30	-	-	-	886.31	886.16	C 0050
			578	-	579	-	35	-	-	-	881.00	880.89	C 0030
			579	-	580	-	18	-	-	-	880.40	880.34	C 0030
			581	-	582	-	20	-	-	-	876.70	876.64	C 0030
			582	-	584	-	50	-	-	-	876.14	875.99	C 0030
			583	-	584	-	20	-	-	-	876.59	876.49	C 0050
			584	-	585	-	55	-	-	-	875.49	875.31	C 0030
PAGE 2/2 - STAGE 2 SUBTOTALS			182		112		265		114		58		30
STAGE 2 SUBTOTALS			535		210		457		470		351		96
3080-01-75	0010	3	586	-	587	-	124	-	124	-	877.50	874.28	C 0260
STAGE 3 SUBTOTALS			0		0		0		124		0		5
TOTAL C010			535		210		457		594		351		102

**NON-BID ITEM: FOR INFORMATION ONLY

STORM SEWER STRUCTURES (CONTINUED)

PROJECT NUMBER	CATEGORY	STAGE	STRUCTURE	** STATION	** OFFSET	520.1012		520.1018		520.1024		520.1030		522.1018		522.1024		611.0624		611.0627		611.0639		611.3004		611.3230		611.9800.5		633.5200			
						FOR	ENDWALLS	FOR	ENDWALLS	FOR	ENDWALLS	FOR	ENDWALLS	FOR	ENDWALLS	FOR	ENDWALLS	FOR	ENDWALLS	FOR	ENDWALLS	FOR	ENDWALLS	FOR	ENDWALLS	FOR	ENDWALLS	FOR	ENDWALLS	FOR	ENDWALLS	FOR	ENDWALLS
3080-01-75	0010	2	576	528+86 NB	21.2' LT	1	1	1	1	1	1	1	1	1	1	1	1	1	1	1	1	1	1	1	1	1	1	1	1	1	1		
			577	528+86 NB	51.2' LT	1	1	1	1	1	1	1	1	1	1	1	1	1	1	1	1	1	1	1	1	1	1	1	1	1	1		
			578	534+36 NB	17.8' RT	1	1	1	1	1	1	1	1	1	1	1	1	1	1	1	1	1	1	1	1	1	1	1	1	1	1		
			579	534+36 NB	17.5' LT	1	1	1	1	1	1	1	1	1	1	1	1	1	1	1	1	1	1	1	1	1	1	1	1	1	1	1	
			580	534+36 NB	33.5' LT	1	1	1	1	1	1	1	1	1	1	1	1	1	1	1	1	1	1	1	1	1	1	1	1	1	1	1	
			581	534+36 NB	8.3' RT	1	1	1	1	1	1	1	1	1	1	1	1	1	1	1	1	1	1	1	1	1	1	1	1	1	1	1	
			582	534+35 NB	29.9' RT	1	1	1	1	1	1	1	1	1	1	1	1	1	1	1	1	1	1	1	1	1	1	1	1	1	1	1	
			583	534+20 NB	19.5' LT	1	1	1	1	1	1	1	1	1	1	1	1	1	1	1	1	1	1	1	1	1	1	1	1	1	1	1	
			584	534+39 NB	19.5' LT	1	1	1	1	1	1	1	1	1	1	1	1	1	1	1	1	1	1	1	1	1	1	1	1	1	1	1	
			585	534+38 NB	17.4' LT	1	1	1	1	1	1	1	1	1	1	1	1	1	1	1	1	1	1	1	1	1	1	1	1	1	1	1	
						0	2	1	0	0	0	0	0	0	0	0	0	0	0	0	0	0	0	0	0	0	0	0	0	0	0	0	
					PAGE 3/3 - STAGE 2 SUBTOTALS	0	6	2	2	3	3	3	56	2	2	2	2	9	7	7	7	10	6	0	3	3	3	53	1	16	1	16	
3080-01-75	0010	3	586	636+41 NB	32.5' RT	1	1	1	1	1	1	1	1	1	1	1	1	1	1	1	1	1	1	1	1	1	1	1	1	1	1	1	
			587	636+20 NB	59.1' LT	1	1	1	1	1	1	1	1	1	1	1	1	1	1	1	1	1	1	1	1	1	1	1	1	1	1	1	1
						1	0	0	0	0	0	0	0	0	0	0	0	0	0	0	0	0	0	0	0	0	0	0	0	0	0	0	0
					STAGE 3 SUBTOTALS	1	0	0	0	0	0	0	1	0	0	0	0	0	0	0	0	0	0	0	0	0	0	0	0	0	0	0	0
					TOTAL 0010	1	6	2	2	3	3	57	2	2	2	9	7	7	7	10	6	0	1	1	1	1	1	1	17	1	17	1	17



Addendum No. 01
 ID 3080-01-75
 Revised Sheet 481
 June 28, 2022

* ADDITIONAL QUANTITIES LISTED ELSEWHERE IN 3080-01-75 PLANS
 ** STATION & OFFSET ARE TO CENTER OF STRUCTURE
 *** DEPTH = RIM ELEV - TOP OF STR ELEV - COVER HT - 6 INCH ADJ RING HT

REMOVING CONCRETE ITEMS

REMOVING FENCE

PROJECT NUMBER	CATEGORY	STAGE	STATION	TO	STATION	OFFSET	REMARKS	PROJECT NUMBER	CATEGORY	STAGE	STATION	TO	STATION	LOCATION	SY	REMOVING CONCRETE PAVEMENT	REMOVING CURB & GUTTER	REMOVING CONCRETE SIDEWALK	REMARKS	
3080-01-76	0010	1	146+30'WB	-	162+65'WB	LT	WOVEN WIRE	3080-01-76	0010	1	98+25'XMP	-	99+70'XMP	MILLPOND RD	530	530	102	INTERSECTION		
			151+49'EB	-	160+24'EB	LT	WOVEN WIRE				10+50'XAB	-	10+02'XAB	CTH AB, RT	150	150	-			
			186+45'WB	-	197+45'WB	RT	WOVEN WIRE													
			188+32'EB	-	129+03'EB	RT	WOVEN WIRE													
			200+96'EB	-	201+74'EB	RT	WOVEN WIRE													
			200+40'WB	-	208+40'WB	LT	WOVEN WIRE													
			204+10'EB	-	212+03'EB	RT	WOVEN WIRE													
			528+96'LL	-	535+27'LL	L/RT	STEEL POST & PANEL													
			532+66'LL	-			WOVEN WIRE													
			STAGE 1 SUBTOTALS					6,141												
3080-01-76	0010	2	163+16'WB	-	166+27'WB	LT	WOVEN WIRE	3080-01-76	0010	3	179+61'LB	-	188+63'LB	RT	2,795	-	-	-		
			163+56'WB	-	177+97'WB	LT	WOVEN WIRE				184+50'WB	-	193+43'WB	LT	2,899	-	-	-		
											186+85'FR	-	187+15'FR	LT	165	-	-	-		
											10+02'XAB	-	10+50'XAB	CTH AB, RT	-	130	-	-		
			STAGE 2 SUBTOTALS					1,753												
3080-01-76	0010	3	119+62'EB	-	127+32'EB	RT	WOVEN WIRE	3080-01-76	0010	4A	122+46'EB	-	124+86'EB	RT	160	160	-	-		
			132+24'EB	-	135+50'EB	RT	WOVEN WIRE													
			STAGE 3 SUBTOTALS					1,139												
3080-01-76	0010	4A	135+50'EB	-	144+32'EB	RT	WOVEN WIRE	3080-01-76	0010	48	130+07'WB	-	151+77'WB	RT	3,024	-	-	-		
											139+93'FR	-	146+13'FR	LT	847	-	-	-		
											143+72'WB	-	150+62'WB	RT	1,295	-	-	-		
											159+80'EB	-	164+05'EB	LT	780	-	-	-		
											161+48'WB	-	164+60'WB	LT	830	-	-	-		
											178+68'EB	-	181+59'EB	LT	2,348	-	-	-		
											181+87'WB	-	194+37'WB	RT	2,236	-	-	-		
			STAGE 4A SUBTOTALS					1,139												
			TOTAL 0010					9,865												
3080-01-76	0020	1	146+00'EB	-	186+93'EB	RT	WOVEN WIRE	3080-01-76	0020	1	323+95'MP	-	324+32'MP	RT	-	37	11	-	CURB RAMP	
											323+96'MP	-	324+31'MP	LT	-	41	24	-	CURB RAMP	
											326+14'MP	-	327+15'MP	RT	-	101	-	-		
			STAGE 1 SUBTOTALS					4,110												
			TOTAL 0020					4,110												
			PROJECT 3080 01 76 TOTAL					13975												
			TOTAL 0000					2												

Addendum No. 01
ID 3080-01-76
Revised Sheet 493
June 28, 2022

REMOVING EXISTING BUSINESS SIGNS

PROJECT NUMBER	CATEGORY	STAGE	STATION	TO	STATION	OFFSET	MESSAGE	REMARKS
3080-01-76	0020	1	345+41'MP	-	348+87'MP	RT	YH6C	CITY TO SALVAGE SIGN COMPONENTS
			348+87'MP	-		RT	YH6C	
			TOTAL 0020					2

Addendum No. 01
 ID 3080-01-76
 Revised Sheet 509
 June 28, 2022

3

CULVERT ITEMS

PROJECT NUMBER	CATEGORY	**INLET		STATION	OFFSET	ELEV. (FT)	PIPE THICKNESS	LOCATION	520.8000	CONCR/LI COLLARS FOR PIPE	EACH	520.1018	APRON LIN/WALLS FOR CULVERT PIPE STEEL 18-INCH	EACH	521.1018	APRON ENDWALLS FOR SLOPED SIDL DRAINS STEEL 18-INCH 10 TO 1	EACH	520.3318	CULVERT PIPE CLASS III-A 18-INCH	LF	522.0115	CULVERT PIPE REINFORC'D CONCRETE CLASS III 15-INCH	LF	522.0124	CULVERT PIPE REINFORC'D CONCRETE CLASS III 24-INCH	LF	522.0136	CULVERT PIPE REINFORC'D CONCRETE CLASS III 36-INCH	LF						
		STATION	OFFSET																											ELEV. (FT)	SLOPE (%)				
3080-01-76	0010	140+38.8B	98.0' LT	860.79	140+39.8B	212.0' RT	0.29%	USH 12 / MILLPOND RD																											
		187+00.0B	136.1' LT	871.50	187+00.0B	136.6' RT	0.40%	USH 12 / MILLPOND RD																											
		213+77.7B	75.7' LT	864.96	214+77.7B	76.7' LT	0.64%	USH 17 MEDIAN			2																								
		440+35.5D	27.2' LT	863.54	440+35.5D	34.7' RT	1.13%	MAAHC WAY																											
		446+00.0D	17.8' LT	866.20	446+00.0D	18.3' RT	0.50%	MAAHC WAY																											
		455+35.5D	21.0' LT	865.62	455+35.5D	21.0' RT	0.39%	MAAHC WAY																											
		455+34.0D	144.0' LT	866.12	455+34.0D	137.0' LT	1.69%	LANDFILL DR	1																										
		457+46.5D	23.0' LT	865.63	457+46.5D	23.0' RT	0.37%	MAAHC WAY																											
		530+00.0L	24.0' LT	889.63	530+00.0L	26.0' RT	0.71%	LUDS LN			2																								
		534+50.0L	29.2' RT	887.84	534+50.0L	25.9' RT	0.39%	DRIVEWAY RI			2																								
		690+50.0A	47.8' LT	878.35	690+50.0A	78.1' RT	3.06%	RAMP 'A'																											
		698+52.3B	30.6' RT	879.00	698+52.3B	74.8' LT	0.50%	RAMP 'B'																											
		706+07.7B	76.1' LT	873.75	706+07.7B	46.4' RT	2.13%	RAMP 'B'																											
		805+00.0C	37.7' RT	873.30	805+00.0C	54.3' LT	0.43%	RAMP 'C'																											
								TOTAL 0010	1		4				2				92		0			370											
3080-01-76	0020	330+45.9MP	31.6' LT	856.68	330+43.7MP	49.5' RT	1.06%	MILLPOND RD																											
		379+44.0MP	45.5' RT	861.80	379+45.7MP	47.7' RT	5.51%	DRIVEWAY RT																											
		330+85.5MP	61.2' RT	859.50	330+57.7MP	60.4' RT	4.65%	DRIVEWAY RT																											
		340+90.0MP	56.4' LT	860.19	340+90.0MP	65.7' RT	1.06%	MILLPOND RD																											
		356+33.3MP	206.6' RT	862.32	356+34.3MP	123.7' RT	4.36%	YHGC MAINT RD																											
		386+17.1MP	38.7' LT	871.30	386+14.3MP	40.1' RT	0.33%	MILLPOND RD																											
		386+48.1MP	35.8' LT	871.30	386+54.7MP	52.4' RT	0.33%	MILLPOND RD																											
								TOTAL 0020	0		0				0				0		18			0											
								PROJECT 3080-01-76 TOTAL	1		4			2					92		18		370												

**ADDITIONAL QUANTITIES LISTED ELSEWHERE IN 3080-01-76 PLANS
 ** NON-BID ITEM: FOR INFORMATION ONLY
 *** PIPE INVERT AT END OF PIPE & STATION/

CONTINUED ON NEXT PAGE

Addendum No. 01
ID 3080-01-76
Revised Sheet 515
June 28, 2022

POND A DRAINAGE ITEMS

PROJECT NUMBER	CATEGORY	FROM	TO	LOCATION	QUANTITY	DESCRIPTION
3080-01-76	0010	A1	A2	POND A	1	END WALLS FOR CULVERT PIPE REINFORCED CONCRETE 42-INCH
		A2	A3	POND A	15	END WALLS FOR CULVERT PIPE REINFORCED CONCRETE 42-INCH
					18	STORM SEWER PIPE REINFORCED CONCRETE CLASS III 42-INCH
					1	SPECIAL (10.0) CIP OUTLET CONTROL STRUCTURE (POND A) EACH
					1	SPECIAL (21.0) DEWATERING FOR POND A) LS
					1	SPECIAL (22.0) DEWATERING FOR POND B) LS
					33	TOTAL 0010

*ADDITIONAL QUANTITIES LISTED ELSEWHERE IN 3080-01-76 PLANS

POND CLAY LINER

PROJECT NUMBER	CATEGORY	STAGE	LOCATION	QUANTITY	DESCRIPTION
3080-01-76	0010	2B	POND C	1,650	POND LINER CLAY
		2B	POND D	1,180	POND LINER CLAY
			TOTAL 0010	2,830	

CLAY ANTI-SEEP COLLAR

SPV.0060.65

POND B DRAINAGE ITEMS

PROJECT NUMBER	CATEGORY	FROM	TO	LOCATION	QUANTITY	DESCRIPTION
3080-01-76	0010	B1	B2	POND B	6	END WALLS FOR CULVERT PIPE REINFORCED CONCRETE CLASS III 42-INCH
		B3	B4	POND B	2	END WALLS FOR CULVERT PIPE REINFORCED CONCRETE CLASS III 42-INCH
					25	STORM SEWER PIPE REINFORCED CONCRETE CLASS III 42-INCH
					1	SPECIAL (11.0) CIP OUTLET CONTROL STRUCTURE (POND B) EACH
					1	SPECIAL (22.0) DEWATERING FOR POND B) LS
					25	TOTAL 0010

*ADDITIONAL QUANTITIES LISTED ELSEWHERE IN 3080-01-76 PLANS

POND C DRAINAGE ITEMS

PROJECT NUMBER	CATEGORY	FROM	TO	LOCATION	QUANTITY	DESCRIPTION
3080-01-76	0010	C1	C3	POND C	1	END WALLS FOR CULVERT PIPE REINFORCED CONCRETE CLASS III 42-INCH
					44	STORM SEWER PIPE REINFORCED CONCRETE CLASS III 42-INCH
					1	SPECIAL (14.0) OUTLET CONTROL STRUCTURE (POND C) EACH
					44	TOTAL 0010

*ADDITIONAL QUANTITIES LISTED ELSEWHERE IN 3080-01-76 PLANS

POND D DRAINAGE ITEMS

PROJECT NUMBER	CATEGORY	FROM	TO	LOCATION	QUANTITY	DESCRIPTION
3080-01-76	0010	D1	D2	POND D	18	CULVERT PIPE REINFORCED CONCRETE CLASS III 12-INCH
		D3	D4	POND D	1	CULVERT PIPE REINFORCED CONCRETE CLASS III 12-INCH
					26	STORM SEWER PIPE REINFORCED CONCRETE CLASS III 12-INCH
					1	SPECIAL (12.0) OUTLET CONTROL STRUCTURE (POND D) EACH
					1	SPECIAL (13.0) ORIFICE PLATE RESTRICTOR 6-INCH
					26	TOTAL 0010

*ADDITIONAL QUANTITIES LISTED ELSEWHERE IN 3080-01-76 PLANS

PROJECT NO: 3080-01-76

HWY: USH 12

COUNTY: DANE

MISCELLANEOUS QUANTITIES

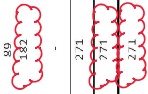
SHEET 515

E

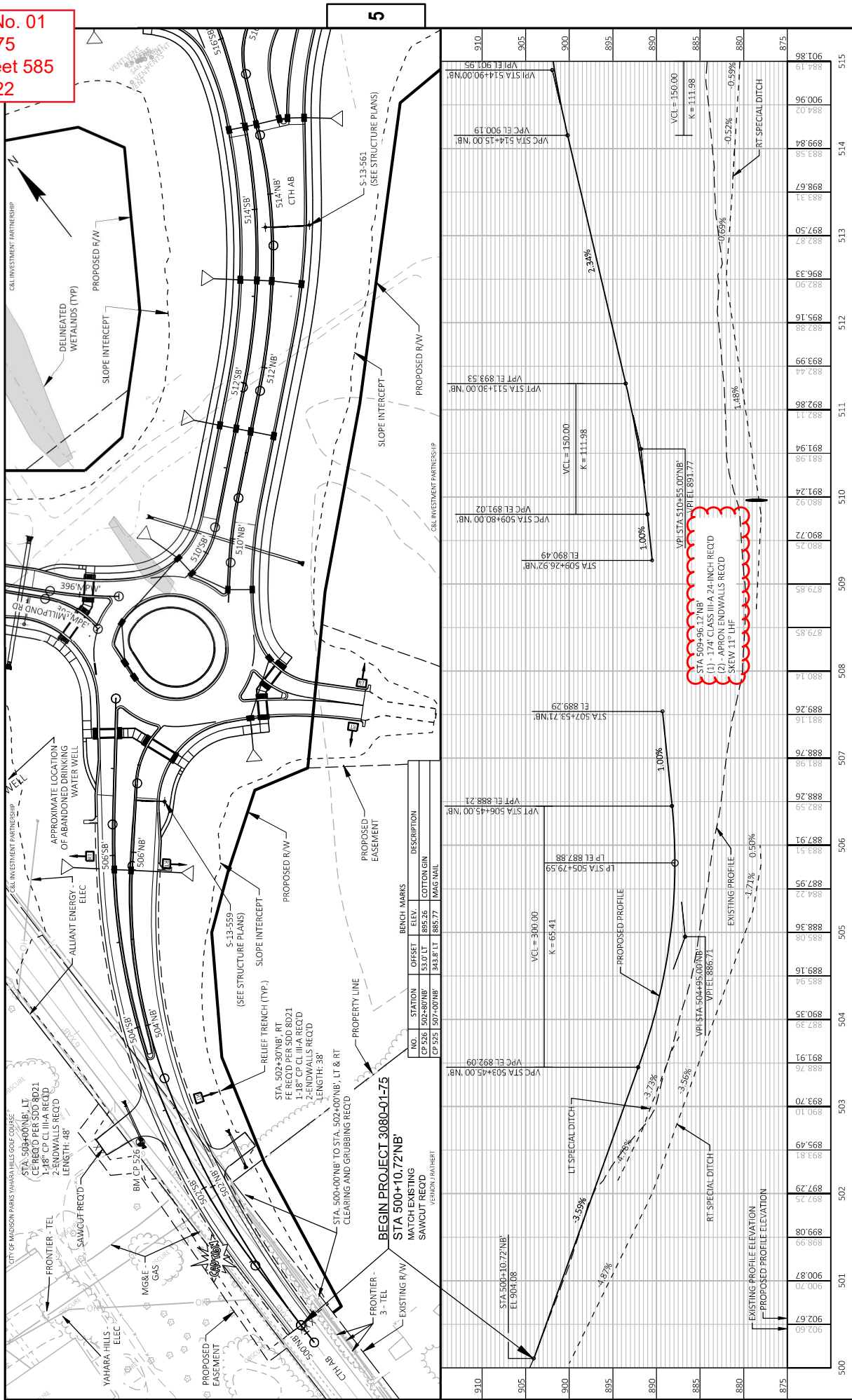
PROJECT NUMBER	CATEGORY	STATION TO STATION	LOCATION	MARKING LINE GROOVED WET REF EPOXY 4-INCH		MARKING LINE GROOVED CONTRAST PERMANENT TAPE 4-INCH		MARKING LINE GROOVED CONTRAST PERMANENT TAPE 8-INCH		MARKING LINE GROOVED CONTRAST PERMANENT TAPE 8-INCH		MARKING ARROW EPOXY	EACH
				LF	LF	LF	LF	LF	LF	LF	LF		
3080-01-76	0010	122+47.5B' - 131+01.5B'	USH 12/18 EB AUX RAMP	920	6440	10,153	2,538	48	1582	204	51	646 5070	
		122+47.5B' - 224+00.5B'	USH 12/18 EB MAINLINE	6440	7202	9,035	2,256	18	876	51	51		
		129+91.5B' - 225+30.5B'	USH 12/18 EB MAINLINE	1465	1465	983	-	-	338	-	-		
		680+77.5A' - 695+12.5A'	RAMP A	2338	1,059	1,059	-	251	472	27	1		
		698+3.6B' - 724+67.8A'	RAMP B	-	-	-	-	-	-	-	-		
		799+21.5C' - 813+70.5C'	RAMP C	1476	913	913	-	248	338	27	1		
		959+66.5D' - 995+03.5D'	RAMP D	2342	1,050	1,050	-	-	488	-	-		
		31+93.1E' - 44+33.1E'	RAMP E	1242	291	291	-	-	722	-	-		
		403+00.1D' - 486+21.1D'	MAAHC WAY	444	-	-	-	-	-	-	-		
			SUBTOTALS	441	103	23454	4794	96	4816	396	2		
			TOTAL 0010	619	40,898	4,890	553	5,212	4				
3080-01-76	0020	124+7.5B' - 140+00.5B'	MILL POND RD	2,178	-	-	-	-	-	-	-		
		140+00.5B' - 148+24.5B'	MILL POND RD	994	1,668	-	-	143	-	-	-		
		348+74.5B' - 394+07.5B'	MILL POND RD	9046	10,353	-	-	100	-	-	-		
		441+33.1E' - 45+11.7E'	RAMP F	131	103	-	-	-	-	-	-		
			GOLF COURSE ACCESS	-	-	-	-	-	-	-	-		
			SUBTOTALS	12905	131	103	0	243	0	0	0		
			TOTAL 0020	27,430	234	17,132	1890	243	0	0	0		
			PROJECT 3080-01-76 TOTAL	28019	47,132	18,900	796	5212	6				

PROJECT NUMBER	CATEGORY	STATION TO STATION	LOCATION	PAVEMENT MARKING ITEMS (CONTINUED)		MARKING CROSSWALK		MARKING ISLAND NOSE		REMARKS		
				LF	LF	LF	LF	LF	LF			
3080-01-76	0010	122+47.5B' - 131+01.5B'	USH 12/18 EB AUX RAMP	920	6440	10,153	2,538	48	1582	204	51	646 5070
		122+47.5B' - 224+00.5B'	USH 12/18 EB MAINLINE	6440	7202	9,035	2,256	18	876	51	51	
		129+91.5B' - 225+30.5B'	USH 12/18 EB MAINLINE	1465	1465	983	-	-	338	-	-	
		680+77.5A' - 695+12.5A'	RAMP A	2338	1,059	1,059	-	251	472	27	1	
		698+3.6B' - 724+67.8A'	RAMP B	-	-	-	-	-	-	-	-	
		799+21.5C' - 813+70.5C'	RAMP C	1476	913	913	-	248	338	27	1	
		959+66.5D' - 995+03.5D'	RAMP D	2342	1,050	1,050	-	-	488	-	-	
		31+93.1E' - 44+33.1E'	RAMP E	1242	291	291	-	-	722	-	-	
		403+00.1D' - 486+21.1D'	MAAHC WAY	444	-	-	-	-	-	-	-	
			SUBTOTALS	441	103	23454	4794	96	4816	396	2	
			TOTAL 0010	619	40,898	4,890	553	5,212	4			
3080-01-76	0020	124+7.5B' - 140+00.5B'	MILL POND RD	2,178	-	-	-	-	-	-	-	
		140+00.5B' - 148+24.5B'	MILL POND RD	994	1,668	-	-	143	-	-	-	
		348+74.5B' - 394+07.5B'	MILL POND RD	9046	10,353	-	-	100	-	-	-	
		441+33.1E' - 45+11.7E'	RAMP F	131	103	-	-	-	-	-	-	
			GOLF COURSE ACCESS	-	-	-	-	-	-	-	-	
			SUBTOTALS	12905	131	103	0	243	0	0	0	
			TOTAL 0020	27,430	234	17,132	1890	243	0	0	0	
			PROJECT 3080-01-76 TOTAL	28019	47,132	18,900	796	5212	6			

Addendum No. 01
 ID 3080-01-76
 Revised Sheet 548
 June 28, 2022



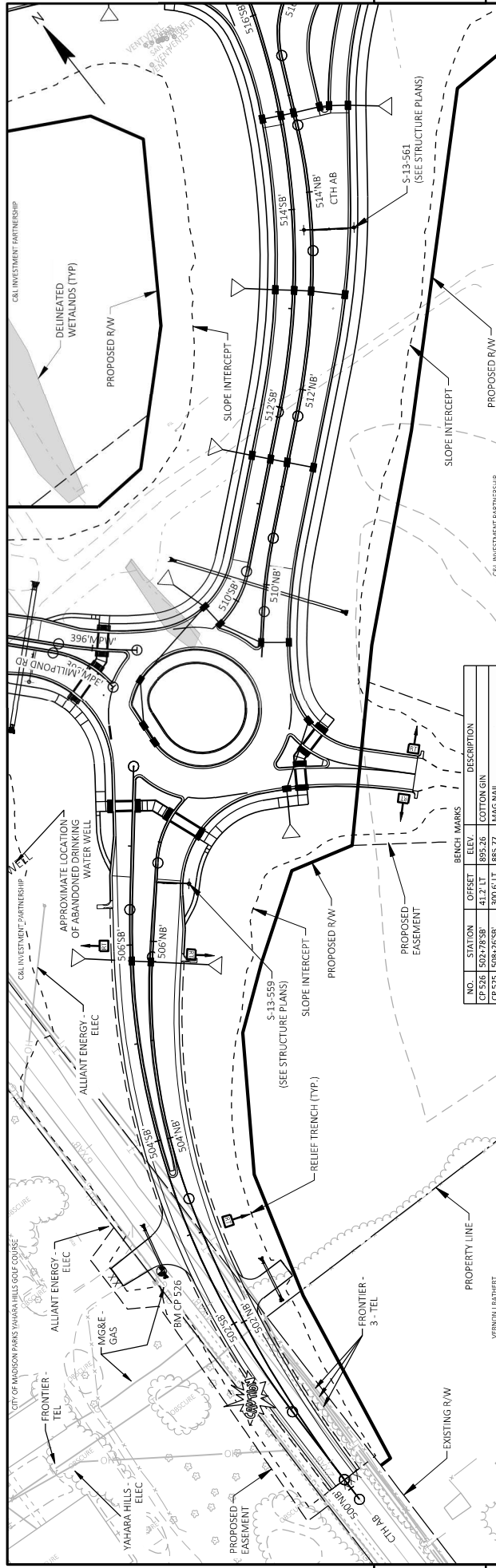
Addendum No. 01
 ID 3080-01-75
 Revised Sheet 585
 June 28, 2022



NO.	STATION	OFFSET	BENCH MARKS	DESCRIPTION
CP 526	502+80'NB	33.0' LT	895.26	COTTON GIN
CP 525	507+00'NB	343.8' LT	885.77	MAG MAIL

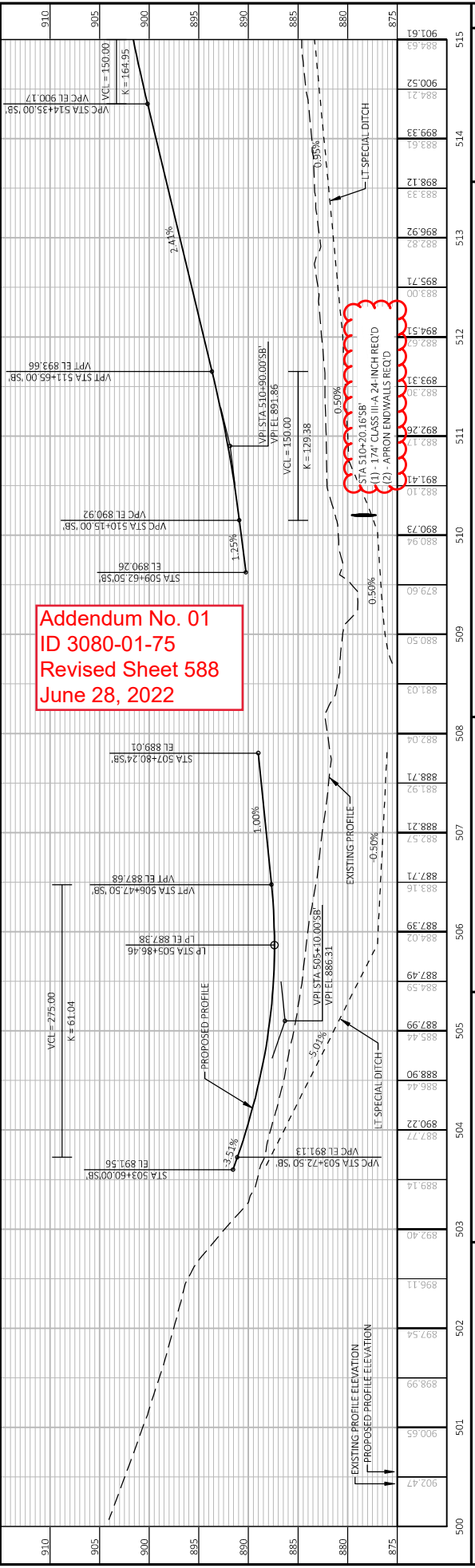
BEGIN PROJECT 3080-01-75
STA 500+10.72'NB
 MATCH EXISTING
 SAWCUT REQ'D
 VENDOR PARTHERE

PROJECT NO: 3080-01-75
 COUNTY: DANE
 HWY: USH 12
 PLAN AND PROFILE: CTH AB - NB
 SHEET 585
 FILE NAME: I:\17470342 CTH AB INTERCHANGE\CDS\SHS\PLAN\30800105_050105_PP_CTH AB.DWG
 LAYOUT NAME: 16_01
 PLOT DATE: 6/20/2022 11:34 AM
 PLOT NAME: BUTTERIS, BRADLEY
 PLOT SCALE: 1 IN=100 FT
 WISDOT/CADDIS SHEET 44

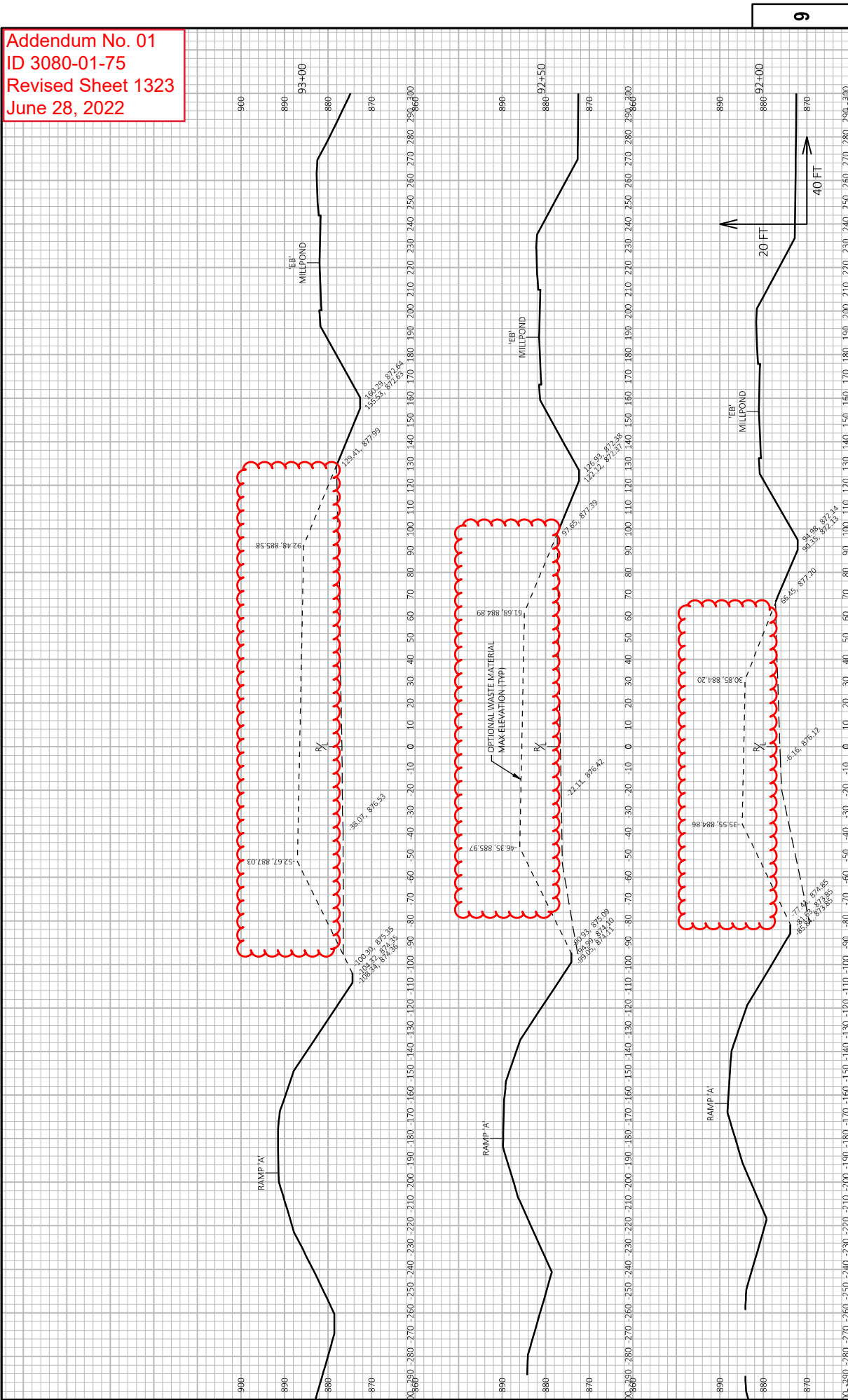


NO.	STATION	OFFSET	ELEV	DESCRIPTION
CP 526	502+79.58	41.2' LT	895.26	COTTON GIN
CP 525	508+26.58	300.6' LT	885.77	MAG MAIL

Addendum No. 01
ID 3080-01-75
Revised Sheet 588
June 28, 2022

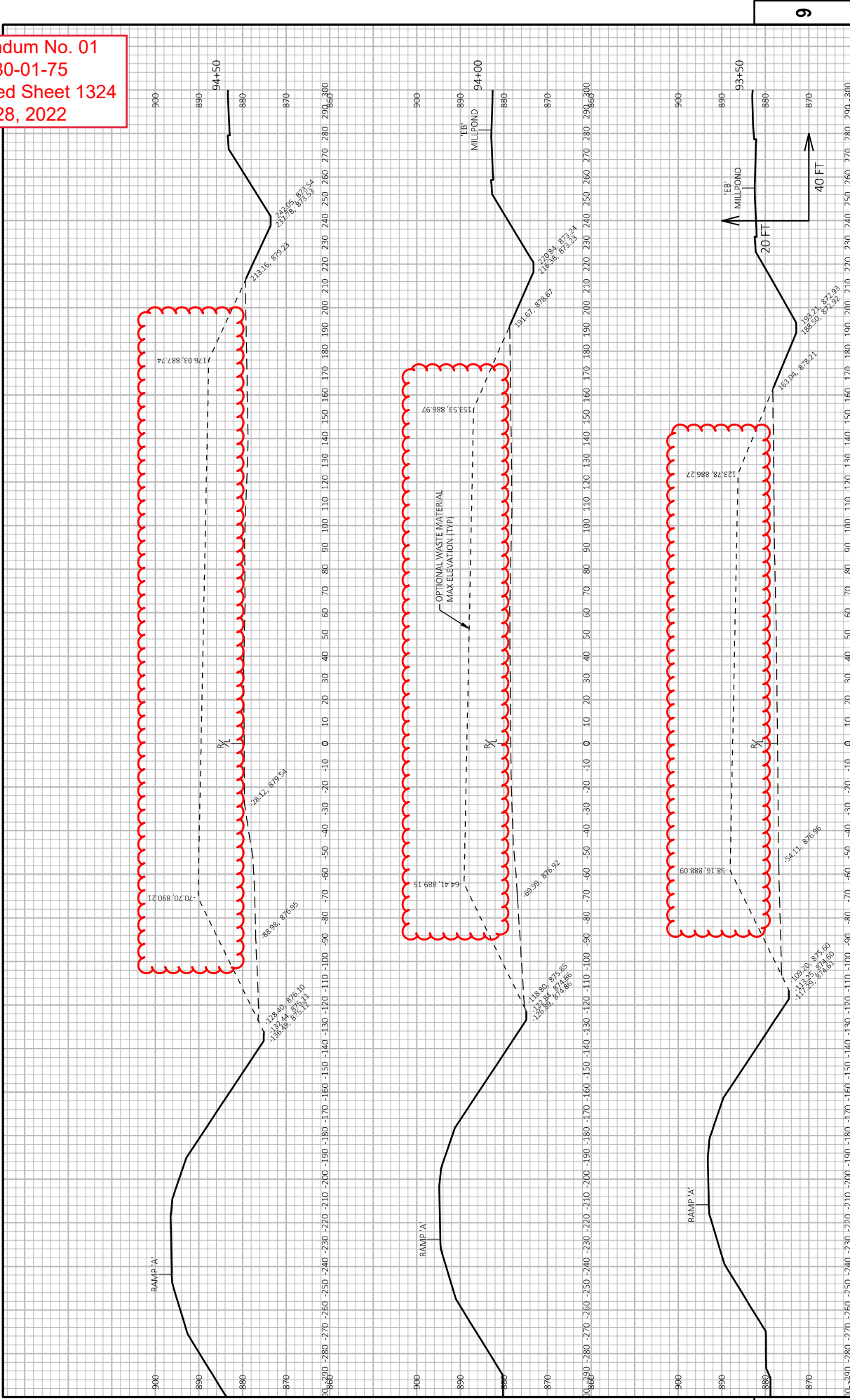


Addendum No. 01
 ID 3080-01-75
 Revised Sheet 1323
 June 28, 2022



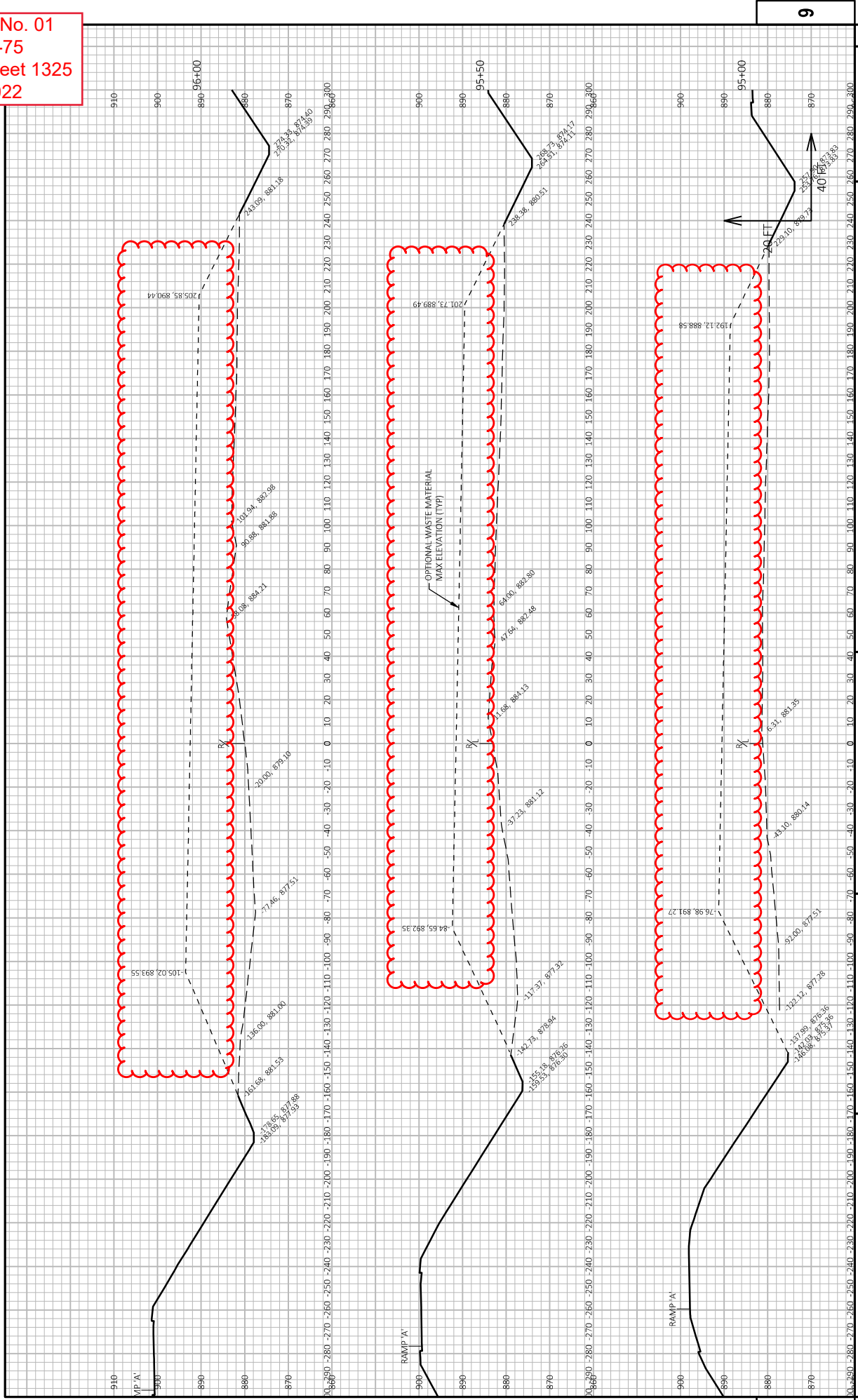
PROJECT NO: 3080-01-75
 COUNTY: DANE
 CROSS SECTIONS: MILLPOND INFIELD
 FILE NAME: I:\7470342 CTR AB INTERCHANGE\CD\SHETS\PLAN\CHAB-MILLPOND INFIELD AREA.DWG
 LAYOUT NAME: 1K_01
 HWY: USH 12
 BUTTERIS, BRADLEY
 PLOT BY:
 6/17/2022 1:24 PM
 PLOT DATE:
 1 IN=40 FT HORZ. / 1 IN=20 FT VERT.
 PLOT SCALE:
 SHEET 1323
 E

Addendum No. 01
 ID 3080-01-75
 Revised Sheet 1324
 June 28, 2022



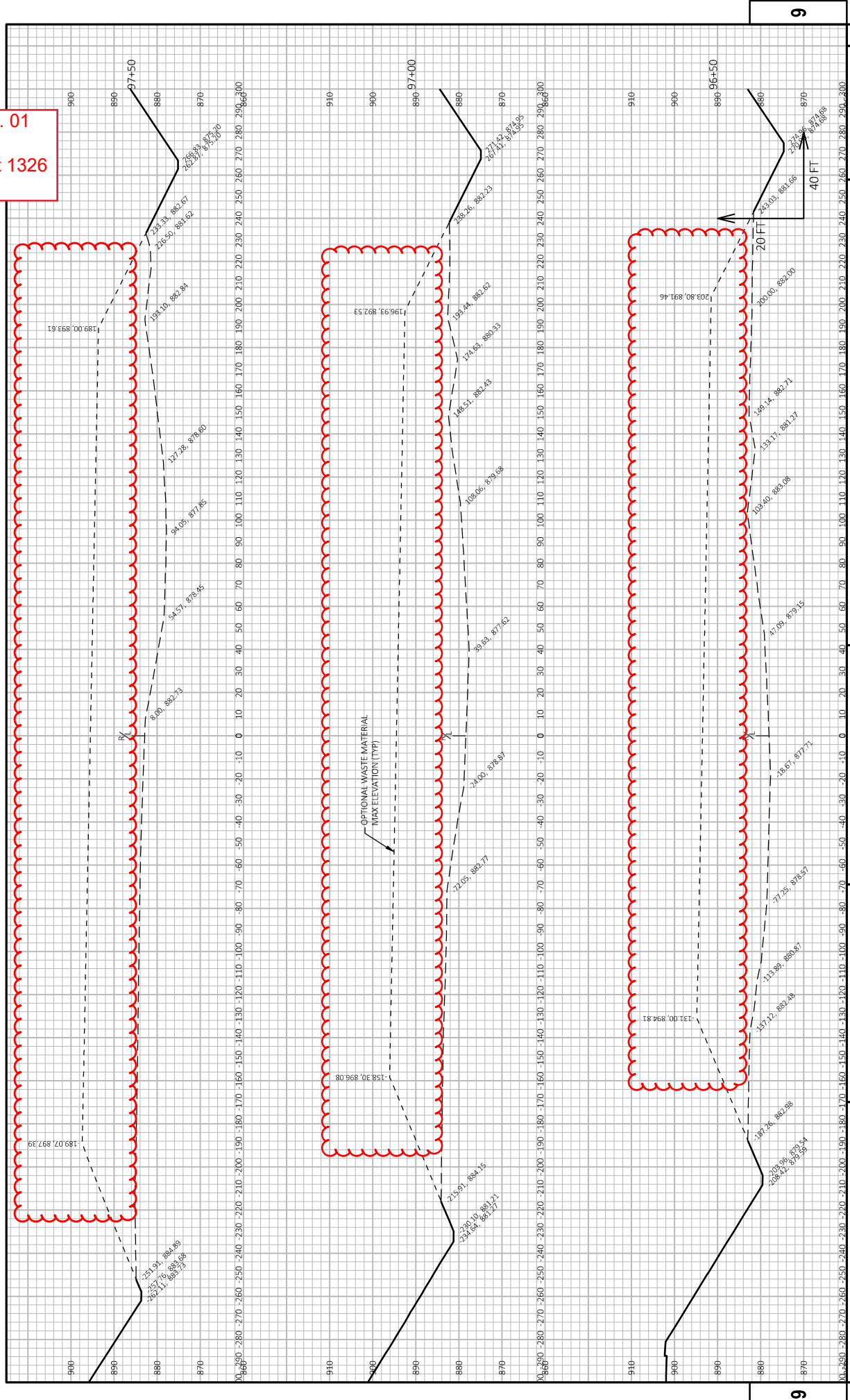
PROJECT NO: 3080-01-75
 COUNTY: DANE
 CROSS SECTIONS: MILLPOND INFIELD
 SHEET 1324
 FILE NAME: I:\7470342 CTR AB INTERCHANGE\CD\SHSHP\PLAN\CHAB-MILLPOND INFIELD AREA.DWG
 LAYOUT NAME: 1L00
 HWY: USH 12
 BUTTERS, BRADLEY
 PLOT BY:
 6/17/2022 1:22 PM
 PLOT DATE:
 1 IN = 40 FT HORIZ. / 1 IN = 20 FT VERT.
 PLOT SCALE:

Addendum No. 01
 ID 3080-01-75
 Revised Sheet 1325
 June 28, 2022



PROJECT NO: 3080-01-75
CROSS SECTIONS: MILLPOND INFIELD
COUNTY: DANE
HWY: USH 12
PLOT DATE: 6/17/2022 1:18 PM
PLOT BY: BUTTERIS, BRADLEY
PLANT NAME: MILLPOND INFIELD
SHEET: 1325
SCALE: 1 IN = 40 FT. HORIZ. / 1 IN = 20 FT. VERT.
FILE NAME: I:\7470242 CTR AB INTERCHANGE\CDS\SHETS\PLAN\CTRAB-MILLPOND INFIELD AREA.DWG
 LAYOUT NAME: 1C_03
 WISDOT/CADSW SHEET 49

Addendum No. 01
 ID 3080-01-75
 Revised Sheet 1326
 June 28, 2022



PROJECT NO: 3080-01-75
 COUNTY: DANE
 CROSS SECTIONS: MILLPOND INFIELD
 SHEET 1326
 FILE NAME: I:\7470342 CTR AB INTERCHANGE\CD\SHSHEP\PLAN\CHAB-MILLPOND INFIELD AREA.DWG
 LAYOUT NAME: 1C_04
 HWY: USH 12
 PLOT DATE: 6/17/2022 1:18 PM
 PLOT BY: BUTTERS, BRADLEY
 PLOT NAME: MILLPOND INFIELD
 PLOT SCALE: 1 IN=40 FT HORZ. / 1 IN=20 FT VERT.
 WISDOT/CADDIS SHEET 49

Addendum No. 01
 ID 3080-01-75
 Revised Sheet 1327
 June 28, 2022





Proposal Schedule of Items

Proposal ID: 20220712001 Project(s): 3080-01-40, 3080-01-75, 3080-01-76
Federal ID(s): N/A, WISC 2022450, WISC 2022451

SECTION: 0001 Contract Items

Alt Set ID: Alt Mbr ID:

Table with 5 columns: Proposal Line Number, Item ID Description, Approximate Quantity and Units, Unit Price, Bid Amount. Rows include items like RBC Progress Schedule, Clearing, Grubbing, Removing Small Pipe Culverts, Removing Concrete Pavement, etc.



Proposal Schedule of Items

Proposal ID: 20220712001 Project(s): 3080-01-40, 3080-01-75, 3080-01-76
 Federal ID(s): N/A, WISC 2022450, WISC 2022451

SECTION: 0001 Contract Items

Alt Set ID: Alt Mbr ID:

Proposal Line Number	Item ID Description	Approximate Quantity and Units	Unit Price	Bid Amount
0036	204.0245 Removing Storm Sewer (size) 01. 12-Inch	688.000 LF	_____.	_____.
0038	204.0245 Removing Storm Sewer (size) 02. 15-Inch	137.000 LF	_____.	_____.
0040	204.0245 Removing Storm Sewer (size) 03. 18-Inch	915.000 LF	_____.	_____.
0042	204.0245 Removing Storm Sewer (size) 04. 24-Inch	513.000 LF	_____.	_____.
0044	204.0245 Removing Storm Sewer (size) 05. 36-Inch	243.000 LF	_____.	_____.
0046	204.0270 Abandoning Culvert Pipes	4.000 EACH	_____.	_____.
0048	204.0280 Sealing Pipes	1.000 EACH	_____.	_____.
0052	204.9060.S Removing (item description) 02. Existing Business Sign	2.000 EACH	_____.	_____.
0054	204.9060.S Removing (item description) 03. Existing Lighting Unit	1.000 EACH	_____.	_____.
0056	205.0100 Excavation Common	518,099.000 CY	_____.	_____.
0058	205.0400 Excavation Marsh	6,210.000 CY	_____.	_____.
0060	206.1000 Excavation for Structures Bridges (structure) 01. B-13-0893	LS	LUMP SUM	_____.
0062	209.2100 Backfill Granular Grade 2	16,215.000 CY	_____.	_____.
0064	209.2500 Backfill Granular Grade 2	4,140.000 TON	_____.	_____.
0066	210.1500 Backfill Structure Type A	534.000 TON	_____.	_____.



Proposal Schedule of Items

Proposal ID: 20220712001 Project(s): 3080-01-40, 3080-01-75, 3080-01-76
Federal ID(s): N/A, WISC 2022450, WISC 2022451

SECTION: 0001 Contract Items

Alt Set ID: Alt Mbr ID:

Table with 5 columns: Proposal Line Number, Item ID Description, Approximate Quantity and Units, Unit Price, Bid Amount. Rows include items like Finishing Roadway, Obliterating Old Road, Base Aggregate Dense, Shaping Shoulders, etc.



Proposal Schedule of Items

Proposal ID: 20220712001 Project(s): 3080-01-40, 3080-01-75, 3080-01-76

Federal ID(s): N/A, WISC 2022450, WISC 2022451

SECTION: 0001 Contract Items

Alt Set ID: Alt Mbr ID:

Proposal Line Number	Item ID Description	Approximate Quantity and Units	Unit Price	Bid Amount
0100	416.0610 Drilled Tie Bars	934.000 EACH	_____.	_____.
0102	416.0620 Drilled Dowel Bars	1,774.000 EACH	_____.	_____.
0104	416.1715 Concrete Pavement Repair SHES	602.000 SY	_____.	_____.
0106	416.1725 Concrete Pavement Replacement SHES	1,586.000 SY	_____.	_____.
0108	450.4000 HMA Cold Weather Paving	2,925.000 TON	_____.	_____.
0110	455.0605 Tack Coat	5,792.000 GAL	_____.	_____.
0112	460.2000 Incentive Density HMA Pavement	14,060.000 DOL	1.00000	14,060.00
0114	460.5223 HMA Pavement 3 LT 58-28 S	360.000 TON	_____.	_____.
0116	460.5224 HMA Pavement 4 LT 58-28 S	290.000 TON	_____.	_____.
0118	460.6223 HMA Pavement 3 MT 58-28 S	9,982.000 TON	_____.	_____.
0120	460.6224 HMA Pavement 4 MT 58-28 S	10,968.000 TON	_____.	_____.
0122	460.6424 HMA Pavement 4 MT 58-28 H	345.000 TON	_____.	_____.
0124	465.0105 Asphaltic Surface	1,638.000 TON	_____.	_____.
0126	465.0120 Asphaltic Surface Driveways and Field Entrances	45.000 TON	_____.	_____.
0128	465.0125 Asphaltic Surface Temporary	1,440.000 TON	_____.	_____.
0130	465.0305 Asphaltic Surface Safety Islands	8.000 TON	_____.	_____.



Proposal Schedule of Items

Proposal ID: 20220712001 Project(s): 3080-01-40, 3080-01-75, 3080-01-76

Federal ID(s): N/A, WISC 2022450, WISC 2022451

SECTION: 0001 Contract Items

Alt Set ID: Alt Mbr ID:

Proposal Line Number	Item ID Description	Approximate Quantity and Units	Unit Price	Bid Amount
0132	465.0310 Asphaltic Curb	658.000 LF	_____.	_____.
0134	465.0315 Asphaltic Flumes	368.000 SY	_____.	_____.
0136	465.0400 Asphaltic Shoulder Rumble Strips	34,905.000 LF	_____.	_____.
0138	501.1000.S Ice Hot Weather Concreting	15,655.000 LB	_____.	_____.
0140	502.0100 Concrete Masonry Bridges	1,240.000 CY	_____.	_____.
0142	502.3200 Protective Surface Treatment	1,701.000 SY	_____.	_____.
0144	503.0137 Prestressed Girder Type I 36W-Inch	1,028.000 LF	_____.	_____.
0146	505.0400 Bar Steel Reinforcement HS Structures	19,880.000 LB	_____.	_____.
0148	505.0600 Bar Steel Reinforcement HS Coated Structures	189,140.000 LB	_____.	_____.
0150	505.0800.S Bar Steel Reinforcement HS Stainless Structures	3,060.000 LB	_____.	_____.
0152	506.2605 Bearing Pads Elastomeric Non-Laminated	28.000 EACH	_____.	_____.
0154	506.4000 Steel Diaphragms (structure) 01. B-13-0893	12.000 EACH	_____.	_____.
0156	511.1300 Temporary Shoring (location) 01. R-13-0371	1,665.000 SF	_____.	_____.
0158	513.4091 Railing Tubular Screening	747.000 LF	_____.	_____.
0160	516.0500 Rubberized Membrane Waterproofing	36.000 SY	_____.	_____.



Proposal Schedule of Items

Proposal ID: 20220712001 Project(s): 3080-01-40, 3080-01-75, 3080-01-76
Federal ID(s): N/A, WISC 2022450, WISC 2022451

SECTION: 0001 Contract Items

Alt Set ID: Alt Mbr ID:

Table with 5 columns: Proposal Line Number, Item ID Description, Approximate Quantity and Units, Unit Price, Bid Amount. Rows include items like Concrete Staining, Architectural Surface Treatment, and Culvert Pipe Temporary.



Proposal Schedule of Items

Proposal ID: 20220712001 Project(s): 3080-01-40, 3080-01-75, 3080-01-76
Federal ID(s): N/A, WISC 2022450, WISC 2022451

SECTION: 0001 Contract Items

Alt Set ID: Alt Mbr ID:

Table with 5 columns: Proposal Line Number, Item ID Description, Approximate Quantity and Units, Unit Price, Bid Amount. Rows include items 0192 through 0216, detailing culvert pipe reinforced concrete classes and apron endwalls.



Proposal Schedule of Items

Proposal ID: 20220712001 Project(s): 3080-01-40, 3080-01-75, 3080-01-76
Federal ID(s): N/A, WISC 2022450, WISC 2022451

SECTION: 0001 Contract Items

Alt Set ID: Alt Mbr ID:

Table with 5 columns: Proposal Line Number, Item ID Description, Approximate Quantity and Units, Unit Price, Bid Amount. Rows include items like Apron Endwalls for Culvert Pipe Reinforced Concrete and Culvert Pipe Reinforced Concrete Horizontal Elliptical Class HE-III.



Proposal Schedule of Items

Proposal ID: 20220712001 Project(s): 3080-01-40, 3080-01-75, 3080-01-76
Federal ID(s): N/A, WISC 2022450, WISC 2022451

SECTION: 0001 Contract Items

Alt Set ID: Alt Mbr ID:

Table with 5 columns: Proposal Line Number, Item ID Description, Approximate Quantity and Units, Unit Price, Bid Amount. Rows include items like Steel Reinforcement HS Ancillary Structures Type NS, Drilling Shaft 24-Inch, Foundation Camera Pole 50-FT, etc.



Proposal Schedule of Items

Proposal ID: 20220712001 Project(s): 3080-01-40, 3080-01-75, 3080-01-76
Federal ID(s): N/A, WISC 2022450, WISC 2022451

SECTION: 0001 Contract Items

Alt Set ID: Alt Mbr ID:

Table with 5 columns: Proposal Line Number, Item ID Description, Approximate Quantity and Units, Unit Price, Bid Amount. Rows include items like Foundation Two-Shaft Type FC-II, Anchor Assemblies Poles on Structures, Monotube Cantilever Type III, Truss Cantilever 2-Chord Type IV, and Piling Steel HP 10-Inch X 42 Lb.



Proposal Schedule of Items

Proposal ID: 20220712001 Project(s): 3080-01-40, 3080-01-75, 3080-01-76
Federal ID(s): N/A, WISC 2022450, WISC 2022451

SECTION: 0001 Contract Items

Alt Set ID: Alt Mbr ID:

Table with 5 columns: Proposal Line Number, Item ID Description, Approximate Quantity and Units, Unit Price, Bid Amount. Rows include items like Concrete Curb & Gutter 30-Inch Type A, Concrete Curb & Gutter 30-Inch Type D, Concrete Curb & Gutter 4-Inch Sloped 36-Inch Type A, etc.



Proposal Schedule of Items

Proposal ID: 20220712001 Project(s): 3080-01-40, 3080-01-75, 3080-01-76
Federal ID(s): N/A, WISC 2022450, WISC 2022451

SECTION: 0001 Contract Items

Alt Set ID: Alt Mbr ID:

Table with 5 columns: Proposal Line Number, Item ID Description, Approximate Quantity and Units, Unit Price, Bid Amount. Rows include items like Riprap Medium, Riprap Heavy, and Storm Sewer Pipe Reinforced Concrete in various classes and sizes.



Proposal Schedule of Items

Proposal ID: 20220712001 Project(s): 3080-01-40, 3080-01-75, 3080-01-76
Federal ID(s): N/A, WISC 2022450, WISC 2022451

SECTION: 0001 Contract Items

Alt Set ID: Alt Mbr ID:

Table with 5 columns: Proposal Line Number, Item ID Description, Approximate Quantity and Units, Unit Price, Bid Amount. Rows include items like Manhole Covers Type J-Special, Inlet Covers Type BW, H, HM, HM-S, H-S, MS, T, and Pipe Underdrain 6-Inch.



Proposal Schedule of Items

Proposal ID: 20220712001 Project(s): 3080-01-40, 3080-01-75, 3080-01-76
Federal ID(s): N/A, WISC 2022450, WISC 2022451

SECTION: 0001 Contract Items

Alt Set ID: Alt Mbr ID:

Table with 5 columns: Proposal Line Number, Item ID Description, Approximate Quantity and Units, Unit Price, Bid Amount. Rows include items like Pipe Underdrain Unperforated 6-Inch, Steel Thrie Beam Bullnose Terminal, MGS Guardrail 3, Fence Woven Wire, etc.



Proposal Schedule of Items

Proposal ID: 20220712001 Project(s): 3080-01-40, 3080-01-75, 3080-01-76
Federal ID(s): N/A, WISC 2022450, WISC 2022451

SECTION: 0001 Contract Items

Alt Set ID: Alt Mbr ID:

Table with 5 columns: Proposal Line Number, Item ID Description, Approximate Quantity and Units, Unit Price, Bid Amount. Rows include items like Concrete Median Sloped Nose, Dust Control Surface Treatment, Water, Salvaged Topsoil, Mulching, Silt Fence, Mobilizations Erosion Control, Erosion Mat Class I Type B, etc.



Proposal Schedule of Items

Proposal ID: 20220712001 Project(s): 3080-01-40, 3080-01-75, 3080-01-76
Federal ID(s): N/A, WISC 2022450, WISC 2022451

SECTION: 0001 Contract Items

Alt Set ID: Alt Mbr ID:

Table with 5 columns: Proposal Line Number, Item ID Description, Approximate Quantity and Units, Unit Price, Bid Amount. Rows include items like Culvert Pipe Checks, Tracking Pads, Rock Bags, Fertilizer Type A, Seeding Mixture No. 10-40, Seed Water, Sod Lawn, Sod Erosion Control, Delineator Posts Steel, Delineator Reflectors, Delineators Barrier Wall, Markers Culvert End, Posts Wood 4x6-Inch X 12-FT.



Proposal Schedule of Items

Proposal ID: 20220712001 Project(s): 3080-01-40, 3080-01-75, 3080-01-76
Federal ID(s): N/A, WISC 2022450, WISC 2022451

SECTION: 0001 Contract Items

Alt Set ID: Alt Mbr ID:

Table with 5 columns: Proposal Line Number, Item ID Description, Approximate Quantity and Units, Unit Price, Bid Amount. Rows include items like Posts Wood 4x6-Inch X 14-FT, Sign Supports Structural Steel HS, Signs Type I Reflective SH, etc.



Proposal Schedule of Items

Proposal ID: 20220712001 Project(s): 3080-01-40, 3080-01-75, 3080-01-76
Federal ID(s): N/A, WISC 2022450, WISC 2022451

SECTION: 0001 Contract Items

Alt Set ID: Alt Mbr ID:

Table with 5 columns: Proposal Line Number, Item ID Description, Approximate Quantity and Units, Unit Price, Bid Amount. Rows include items like Traffic Control Barricades Type III, Traffic Control Flexible Tubular Marker Posts, Traffic Control Warning Lights Type A, etc.



Proposal Schedule of Items

Proposal ID: 20220712001 Project(s): 3080-01-40, 3080-01-75, 3080-01-76
Federal ID(s): N/A, WISC 2022450, WISC 2022451

SECTION: 0001 Contract Items

Alt Set ID: Alt Mbr ID:

Table with 5 columns: Proposal Line Number, Item ID Description, Approximate Quantity and Units, Unit Price, Bid Amount. Rows include items like Marking Line Epoxy 4-Inch, Marking Line Grooved Wet Ref Epoxy 4-Inch, Marking Line Grooved Contrast Permanent Tape 4-Inch, etc.



Proposal Schedule of Items

Proposal ID: 20220712001 Project(s): 3080-01-40, 3080-01-75, 3080-01-76
Federal ID(s): N/A, WISC 2022450, WISC 2022451

SECTION: 0001 Contract Items

Alt Set ID: Alt Mbr ID:

Table with 5 columns: Proposal Line Number, Item ID Description, Approximate Quantity and Units, Unit Price, Bid Amount. Rows include items like Marking Removal Line Wide, Marking Removal Special Marking, Temporary Marking Line Paint 4-Inch, etc.



Proposal Schedule of Items

Proposal ID: 20220712001 Project(s): 3080-01-40, 3080-01-75, 3080-01-76
Federal ID(s): N/A, WISC 2022450, WISC 2022451

SECTION: 0001 Contract Items

Alt Set ID: Alt Mbr ID:

Table with 5 columns: Proposal Line Number, Item ID Description, Approximate Quantity and Units, Unit Price, Bid Amount. Rows include items like Conduit Rigid Nonmetallic Schedule 80 3-Inch, Junction Boxes, and Electrical Service Meter Breaker Pedestal.



Proposal Schedule of Items

Proposal ID: 20220712001 Project(s): 3080-01-40, 3080-01-75, 3080-01-76
Federal ID(s): N/A, WISC 2022450, WISC 2022451

SECTION: 0001 Contract Items

Alt Set ID: Alt Mbr ID:

Table with 5 columns: Proposal Line Number, Item ID Description, Approximate Quantity and Units, Unit Price, Bid Amount. Rows include items like Electrical Service Meter Breaker Pedestal, Transformer Bases Breakaway, Luminaire Arms, and Conduit HDPE.



Proposal Schedule of Items

Proposal ID: 20220712001 Project(s): 3080-01-40, 3080-01-75, 3080-01-76
Federal ID(s): N/A, WISC 2022450, WISC 2022451

SECTION: 0001 Contract Items

Alt Set ID: Alt Mbr ID:

Table with 5 columns: Proposal Line Number, Item ID Description, Approximate Quantity and Units, Unit Price, Bid Amount. Rows include items like Tracer Wire Marker Posts, Install Pole Mounted Cabinet, Remove Cable, Reinstall Cable, Install Camera Pole 50-FT, Install Camera Assembly, Install Fiber Optic Cable Outdoor Plant 6-CT, Install Fiber Optic Cable Outdoor Plant 24-CT, Fiber Optic Splice Enclosure, Fiber Optic Splice, Fiber Optic Termination, Communication System Testing 01, Communication System Testing 02, Install Ethernet Switches, Sawing Asphalt, Sawing Concrete.



Proposal Schedule of Items

Proposal ID: 20220712001 Project(s): 3080-01-40, 3080-01-75, 3080-01-76

Federal ID(s): N/A, WISC 2022450, WISC 2022451

SECTION: 0001 Contract Items

Alt Set ID: Alt Mbr ID:

Proposal Line Number	Item ID Description	Approximate Quantity and Units	Unit Price	Bid Amount
0712	715.0502 Incentive Strength Concrete Structures	7,440.000 DOL	1.00000	7,440.00
0714	715.0603 Incentive Strength Concrete Barrier	2,935.000 DOL	1.00000	2,935.00
0716	715.0720 Incentive Compressive Strength Concrete Pavement	8,644.000 DOL	1.00000	8,644.00
0718	740.0440 Incentive IRI Ride	8,711.000 DOL	1.00000	8,711.00
0720	ASP.1T0A On-the-Job Training Apprentice at \$5.00/HR	2,400.000 HRS	5.00000	12,000.00
0722	ASP.1T0G On-the-Job Training Graduate at \$5.00/HR	3,200.000 HRS	5.00000	16,000.00
0724	SPV.0005 Special 01. Pre-Planting Vegetation Treatment	2.800 ACRE	_____.	_____.
0726	SPV.0005 Special 02. Seed Bed Preparation	2.800 ACRE	_____.	_____.
0728	SPV.0045 Special 01. Temporary Portable Rumble Strip Arrays Non-flagging	48.000 DAY	_____.	_____.
0730	SPV.0060 Special 01. Construct LB-3 Base	58.000 EACH	_____.	_____.
0732	SPV.0060 Special 02. Poles 30-Foot 11 Gauge Simplex	58.000 EACH	_____.	_____.
0734	SPV.0060 Special 03. Ground Rod	1.000 EACH	_____.	_____.
0736	SPV.0060 Special 04. CIP Inlet 4	20.000 EACH	_____.	_____.
0738	SPV.0060 Special 05. CIP Inlet 2X3	43.000 EACH	_____.	_____.
0740	SPV.0060 Special 06. CIP Manhole 6X6	10.000 EACH	_____.	_____.



Proposal Schedule of Items

Proposal ID: 20220712001 Project(s): 3080-01-40, 3080-01-75, 3080-01-76
Federal ID(s): N/A, WISC 2022450, WISC 2022451

SECTION: 0001 Contract Items

Alt Set ID: Alt Mbr ID:

Table with 5 columns: Proposal Line Number, Item ID Description, Approximate Quantity and Units, Unit Price, Bid Amount. Rows include items 0742 through 0774 with descriptions like 'Special 07. CIP Inlet SP', 'Special 08. Salvage and Replace Pipe Underdrain Endwall', etc.



Proposal Schedule of Items

Proposal ID: 20220712001 Project(s): 3080-01-40, 3080-01-75, 3080-01-76
Federal ID(s): N/A, WISC 2022450, WISC 2022451

SECTION: 0001 Contract Items

Alt Set ID: Alt Mbr ID:

Table with 5 columns: Proposal Line Number, Item ID Description, Approximate Quantity and Units, Unit Price, Bid Amount. Rows include items 0776 through 0804 with descriptions like 'Special 25. Dewatering for County Pond' and 'Special 41. Sewer Electronic Markers'.



Proposal Schedule of Items

Proposal ID: 20220712001 Project(s): 3080-01-40, 3080-01-75, 3080-01-76
Federal ID(s): N/A, WISC 2022450, WISC 2022451

SECTION: 0001 Contract Items

Alt Set ID: Alt Mbr ID:

Table with 5 columns: Proposal Line Number, Item ID Description, Approximate Quantity and Units, Unit Price, Bid Amount. Rows include items like Special 42. Sanitary Sewer Tap, Special 43. Sanitary Sewer Access Structure (4-FT Diameter), etc.



Proposal Schedule of Items

Proposal ID: 20220712001 Project(s): 3080-01-40, 3080-01-75, 3080-01-76
 Federal ID(s): N/A, WISC 2022450, WISC 2022451

SECTION: 0001 Contract Items

Alt Set ID: Alt Mbr ID:

Proposal Line Number	Item ID Description	Approximate Quantity and Units	Unit Price	Bid Amount
0834	SPV.0060 Special 56. Remove Hydrant and Valve	3.000 EACH	_____.	_____.
0836	SPV.0060 Special 57. Adjust Water Valve Box Sections	9.000 EACH	_____.	_____.
0838	SPV.0060 Special 58. Connect to Existing Water System	3.000 EACH	_____.	_____.
0840	SPV.0060 Special 59. Abandon Water Valve	2.000 EACH	_____.	_____.
0842	SPV.0060 Special 60. Abandon Existing Water Main	3.000 EACH	_____.	_____.
0844	SPV.0060 Special 61. Cap Existing Water Main	1.000 EACH	_____.	_____.
0846	SPV.0060 Special 62. Water Utility Line Opening	2.000 EACH	_____.	_____.
0848	SPV.0060 Special 64. Water Main Insulation	27.000 EACH	_____.	_____.
0850	SPV.0060 Special 65. Clay Anti-Seep Collar	6.000 EACH	_____.	_____.
0852	SPV.0060 Special 66. Landmark Reference Monuments Special	1.000 EACH	_____.	_____.
0854	SPV.0085 Special 01. Seeding Native Pollinator Mix Upland	42.000 LB	_____.	_____.
0856	SPV.0085 Special 02. Seeding Native Pollinator Mix Swale	42.000 LB	_____.	_____.
0858	SPV.0090 Special 01. Compost Tubes	1,712.000 LF	_____.	_____.
0860	SPV.0090 Special 02. Sign Posts	282.000 LF	_____.	_____.
0862	SPV.0090 Special 03. Temporary Rumble Strip (Orange) in Advance of Lane Closure	1,836.000 LF	_____.	_____.



Proposal Schedule of Items

Proposal ID: 20220712001 Project(s): 3080-01-40, 3080-01-75, 3080-01-76
Federal ID(s): N/A, WISC 2022450, WISC 2022451

SECTION: 0001 Contract Items

Alt Set ID: Alt Mbr ID:

Table with 5 columns: Proposal Line Number, Item ID Description, Approximate Quantity and Units, Unit Price, Bid Amount. Rows include items like SPV.0090 Sanitary Sewer Pipe SDR 26 8-Inch, SPV.0090 Sanitary Sewer Pipe SDR 26 15-Inch, SPV.0090 Select Fill for Sanitary Sewer, etc.



Proposal Schedule of Items

Proposal ID: 20220712001 Project(s): 3080-01-40, 3080-01-75, 3080-01-76
Federal ID(s): N/A, WISC 2022450, WISC 2022451

SECTION: 0001 Contract Items

Alt Set ID: Alt Mbr ID:

Table with 5 columns: Proposal Line Number, Item ID Description, Approximate Quantity and Units, Unit Price, Bid Amount. Rows include items like SPV.0200, 520.1012, 520.1018, etc.

Section: 0001 Total: _____

Total Bid: _____