



# Wisconsin Department of Transportation

January 5, 2023

## Division of Transportation Systems Development

Bureau of Project Development  
4822 Madison Yards Way, 4<sup>th</sup> Floor South  
Madison, WI 53705

Telephone: (608) 266-1631  
Facsimile (FAX): (608) 266-8459

### NOTICE TO ALL CONTRACTORS:

**Proposal #23: 6230-14-71, WISC 2023160**  
**Shiocton - Seymour**  
**Park Avenue – French Rd**  
**STH 54**  
**Outagamie County**

**6230-14-72**  
**E. State Street, V of Black Creek**  
**Tower Drive – N Beech Street**  
**STH 54**  
**Outagamie County**

**6517-15-60, WISC 2023161**  
**Stephensville - Shiocton**  
**South Junction CTH S–STH 54**  
**STH 76**  
**Outagamie County**

### Letting of January 10, 2023

This is Addendum No. 01, which provides for the following:

#### Schedule of Items:

Revised Bid Item Quantities					
Bid Item	Item Description	Unit	Proposal Total Prior to Addendum	Proposal Quantity Change (-)	Proposal Total After Addendum
460.2000	Incentive Density HMA Pavement	DOL	7,940	-460	7,480
465.0105	Asphaltic Surface	TON	515	2,869	3,384

Deleted Bid Item Quantities					
Bid Item	Item Description	Unit	Proposal Total Prior to Addendum	Proposal Quantity Change (-)	Proposal Total After Addendum
460.5223	HMA Pavement 3 LT 58-28 S	TON	715	-715	0

**Plan Sheets:**

<b>Revised</b> Plan Sheets ID 6230-14-71	
Plan Sheet	Plan Sheet Title (brief description of changes to sheet)
11	Construction Details (Added pavement restoration material callout)
63	Miscellaneous Quantities (Revisions to Asphaltic Surface)

<b>Revised</b> Plan Sheets ID 6517-15-60	
Plan Sheet	Plan Sheet Title (brief description of changes to sheet)
10	Construction Details (Changed pavement restoration material)
39	Miscellaneous Quantities (Revisions to Asphaltic Items)

**Schedule of Items**

Attached, dated January 5, 2023, are the revised Schedule of Items Pages

**Plan Sheets**

The following 8½ x 11-inch sheets are attached and made part of the plans for this proposal:

6230-14-71 Revised: 11 and 63.

6517-15-60 Revised: 10 and 39.

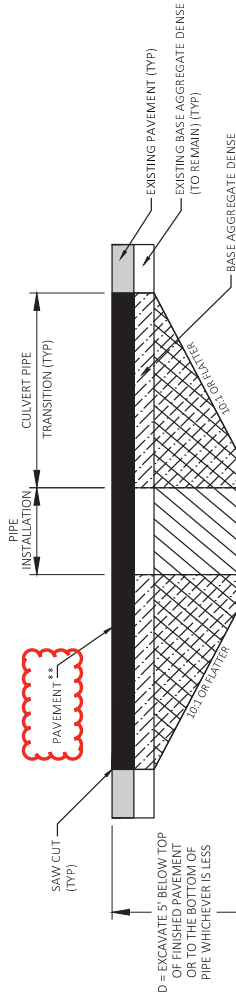
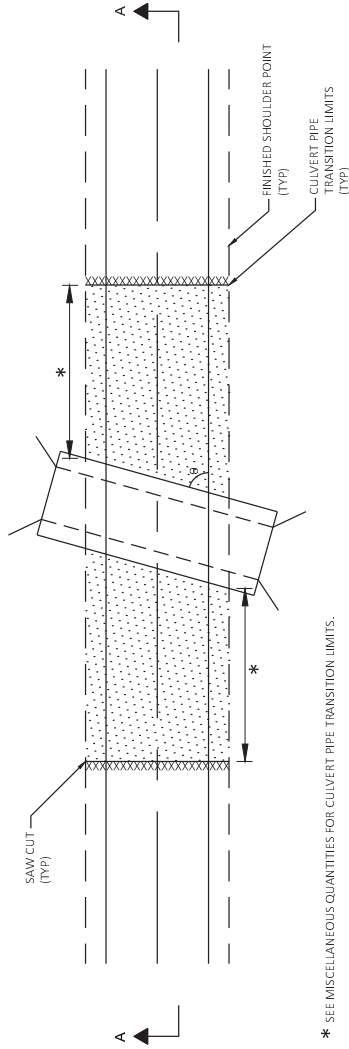
The responsibility for notifying potential subcontractors and suppliers of these changes remains with the prime contractor.

Sincerely,

*Mike Coleman*

Proposal Development Specialist  
Proposal Management Section

END OF ADDENDUM



\*\* ASPHALTIC SURFACE (MATCH EXISTING PAVEMENT THICKNESS)

Addendum No. 01  
ID 6230-14-71/72  
Revised Sheet 11  
January 5, 2023

PIPE INSTALLATION AREA WILL FOLLOW SECTION 520 FOR INSTALLATION, WIDTHS AND PAYMENT.  
CONSTRUCT TRANSITION PERPENDICULAR TO CULVERT PIPE.  
CULVERT PIPE TRANSITION AREAS WILL BE PAID BY SPV "FOUNDATION BACKFILL & COMMON EXCAVATION".  
PAVEMENT SAW CUT TO BE PERPENDICULAR TO ROADWAY ALIGNMENT.

NEW CULVERT PIPES WITH TRANSITION

STA 552+69	STA 644+91	STA 816+08
STA 552+75	STA 720+29	STA 835+88
STA 582+48	STA 778+17	
STA 582+56	STA 796+07	

HMA MIXTURE ACCEPTANCE 6230-14-72

STATION TO STATION	ROADWAY	LOCATION	UNDERLAYING SURFACE	MIXTURE USE	BID ITEM	AVG LAYER DEPTH (IN)	DENSITY ACCEPTANCE	MIXTURE ACCEPTANCE
PROJECT 6230-14-72								
CATEGORY 0010								
837+23 -	843+00	MAINLINE LANES	4 MT 58-28 S EXISTING ASPHALT	4 MT 58-28 S	460.6224	1.75	460.2000	
		L.T. PARKING/INT	4 MT 58-28 S EXISTING ASPHALT	4 MT 58-28 S	460.6224	1.75	ACCEPTANCE TESTING BY DEPARTMENT; NOT ELIGIBLE FOR INCENTIVE OR DISINCENTIVE	
		RT PARKING/INT	4 MT 58-28 S EXISTING ASPHALT	4 MT 58-28 S	460.6224	1.75		
		MAINLINE LANES	4 MT 58-28 S EXISTING CONCRETE	4 MT 58-28 S	460.6224	1.25	460.2000	
849+00 -	849+00	L.T. PARKING/INT	4 MT 58-28 S EXISTING CONCRETE	4 MT 58-28 S	460.6224	1.75	ACCEPTANCE TESTING BY DEPARTMENT; NOT ELIGIBLE FOR INCENTIVE OR DISINCENTIVE	PWL INCENTIVE AIR VOIDS HMA PAVEMENT 460.2010
		RT PARKING/INT	4 MT 58-28 S EXISTING CONCRETE	4 MT 58-28 S	460.6224	1.75		
		MAINLINE LANES	4 MT 58-28 S EXISTING CONCRETE	4 MT 58-28 S	460.6224	1.25	460.2000	
849+00 -	855+00	L.T. PARKING/INT	4 MT 58-28 S EXISTING CONCRETE	4 MT 58-28 S	460.6224	1.75	ACCEPTANCE TESTING BY DEPARTMENT; NOT ELIGIBLE FOR INCENTIVE OR DISINCENTIVE	
		RT PARKING/INT	4 MT 58-28 S EXISTING CONCRETE	4 MT 58-28 S	460.6224	1.75		
		MAINLINE LANES	4 MT 58-28 S EXISTING CONCRETE	4 MT 58-28 S	460.6224	1.25	460.2000	
855+00 -	858+60	L.T. PARKING/INT	4 MT 58-28 S EXISTING ASPHALT	4 MT 58-28 S	460.6224	1.75	ACCEPTANCE TESTING BY DEPARTMENT; NOT ELIGIBLE FOR INCENTIVE OR DISINCENTIVE	
		RT PARKING/INT	4 MT 58-28 S EXISTING ASPHALT	4 MT 58-28 S	460.6224	1.75		
		MAINLINE LANES	4 MT 58-28 S EXISTING ASPHALT	4 MT 58-28 S	460.6224	1.25	460.2000	
		L.T. PARKING/INT	4 MT 58-28 S EXISTING ASPHALT	4 MT 58-28 S	460.6224	1.75	ACCEPTANCE TESTING BY DEPARTMENT; NOT ELIGIBLE FOR INCENTIVE OR DISINCENTIVE	
		RT PARKING/INT	4 MT 58-28 S EXISTING ASPHALT	4 MT 58-28 S	460.6224	1.75		

Addendum No. 01  
ID 6230-14-71/72  
Revised Sheet 63  
January 5, 2023

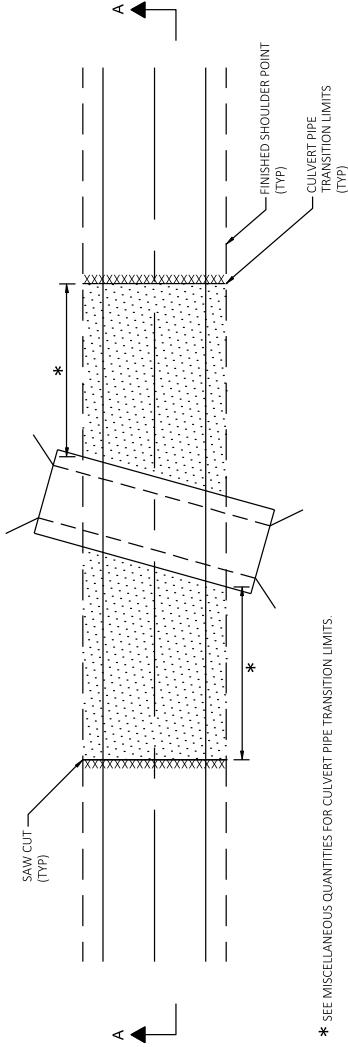
HMA PWL TEST STRIPS

STATION	TO	STATION	ROADWAY	HMA PWL TEST STRIP VOLUMETRICS EACH	460.0105.S HMA PWL TEST STRIP DENSITY EACH
PROJECT 6230-14-71					
CATEGORY 0010					
UNDISTRIBUTED		STH 54		2	2
PROJECT -71 TOTAL				2	2
PROJECT 6230-14-72					
CATEGORY 0010					
UNDISTRIBUTED		STH 54		---	---
PROJECT -72 TOTAL				0	0

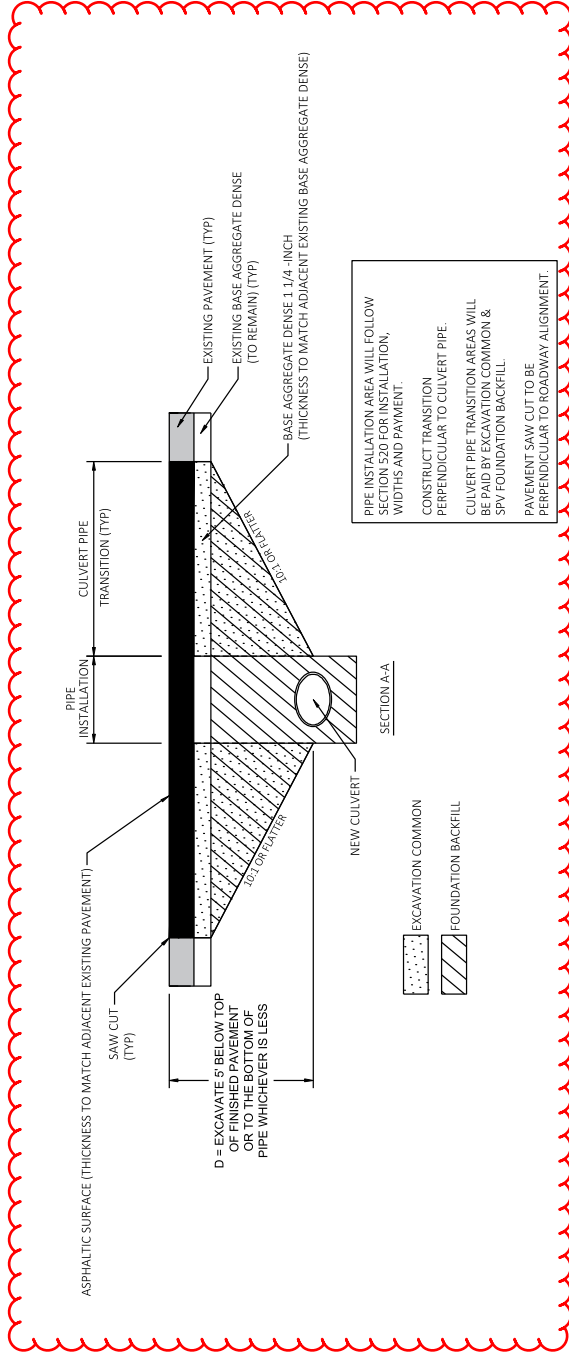
ASPHALTIC SURFACE

STATION	TO	STATION	ROADWAY	465.0105 TON	COMMENTS
PROJECT 6230-14-71					
CATEGORY 0010					
858+50		907+00	STH 54	250	SHOULDER WIDENING LOWER LAYER
CULVERT REPLACEMENTS				2,150	INCLUDES FROST HEAVE TRANSITION
PROJECT -71 TOTAL				2,400	

NOT TO SCALE



Addendum No. 01  
 ID 6517-15-60  
 Revised Sheet 10  
 January 5, 2023



EARTHWORK SUMMARY

CATEGORY	STATION -	STATION	LOCATION	COMMON	FOUNDATION	BACKFILL
				CY	CY	CY
0010	74+08 -	74+77	LT/RT	280	170	170
	113+76 -	114+28	RT	120	60	60
	133+55 -	136+19	LT/RT	150	90	90
	141+05 -	141+89	LT/RT	250	170	170
	146+56 -	147+34	LT/RT	200	130	130
	161+61 -	162+34	LT/RT	200	120	120
	162+18 -	162+57	RT	60	25	25
	180+52 -	181+36	LT/RT	240	160	160
	188+50 -	189+36	LT/RT	280	180	180
	231+50 -	234+00	LT/RT	27	---	---
TOTALS				1,807	1,105	1,105

\*\* ACCOUNTS FOR EXPANSION FACTOR OF 1.15

EXCAVATION, HAULING, AND DISPOSAL OF PETROLEUM CONTAMINATED SOIL

CATEGORY	STATION -	STATION	LOCATION	205.0501.S.02
				TON
0010	266+20 -	266+70	RT	20

PREPARE FOUNDATION FOR ASPHALTIC PAVING

CATEGORY	PROJECT	211.0101
		EACH
0010	6517-15-60	1

FINISHING ROADWAY

CATEGORY	PROJECT	213.0100
		EACH
0010	6517-15-60	1

CONCRETE DRIVEWAY 6-INCH

CATEGORY	STATION -	STATION	LOCATION	416.0160
				SY
0010	252+20 -	252+43	LT	20
	252+64 -	252+87	RT	20
TOTAL				40

CONCRETE MASONRY ENDWALLS

CATEGORY	STATION	LOCATION	504.0900
			CY
0010	74+43	RT	9.3
	74+43	LT	9.3
TOTALS			18.6

ASPHALTIC ITEMS

CATEGORY	STATION -	STATION	TON	465.0120	465.0105	465.0105	465.0105	465.0105	465.0105
				ASPHALTIC SURFACE	ASPHALTIC SURFACE	ASPHALTIC SURFACE	ASPHALTIC SURFACE	ASPHALTIC SURFACE	ASPHALTIC SURFACE
				DRIVEWAYS AND	DRIVEWAYS AND	DRIVEWAYS AND	DRIVEWAYS AND	DRIVEWAYS AND	DRIVEWAYS AND
				FIELD ENTERANCES	FIELD ENTERANCES	FIELD ENTERANCES	FIELD ENTERANCES	FIELD ENTERANCES	FIELD ENTERANCES
				TON	TON	TON	TON	TON	TON
0010	18+60 -	90+00	2,910	---	---	---	---	---	---
	90+00 -	160+00	2,050	---	---	---	---	---	---
	160+00 -	235+00	2,550	---	---	---	---	---	---
	235+00 -	269+18	1,920	---	---	---	---	---	---
	73+98 -	74+88	---	61	---	---	---	---	---
	113+78 -	114+27	---	97	---	---	---	---	---
	135+55 -	136+19	---	83	---	---	---	---	---
	141+06 -	141+89	---	110	---	---	---	---	---
	146+57 -	147+34	---	100	---	---	---	---	---
	161+62 -	162+57	---	175	---	---	---	---	---
	180+53 -	181+36	---	110	---	---	---	---	---
	188+51 -	189+36	---	110	---	---	---	---	---
	218+79 -	219+13	---	48	---	---	---	---	---
	237+07 -	267+27	---	90	---	---	---	---	---
	256+10 -	266+77	---	---	24	---	---	---	---
SUBTOTALS (0010)				9,430	984	24	24	5,608	---
0020	252+82 -	269+18	220	---	---	---	---	150	---
SUBTOTALS (0020)				220	---	---	---	150	---
TOTALS				9,650	984	24	24	5,758	---

NOTE: HMA PAVEMENT WEIGHT CALCULATIONS BASED ON 112 LB/SY/IN.

Addendum No. 01  
ID 6517-15-60  
Revised Sheet 39  
January 5, 2023



Proposal Schedule of Items

Proposal ID: 20230110023 Project(s): 6230-14-71, 6230-14-72, 6517-15-60
Federal ID(s): WISC 2023161, WISC 2023160, N/A

SECTION: 0001 Contract Items

Alt Set ID: Alt Mbr ID:

Table with 5 columns: Proposal Line Number, Item ID Description, Approximate Quantity and Units, Unit Price, Bid Amount. Rows include items like Clearing, Grubbing, Removing Small Pipe Culverts, etc.



Proposal Schedule of Items

Proposal ID: 20230110023 Project(s): 6230-14-71, 6230-14-72, 6517-15-60
Federal ID(s): WISC 2023161, WISC 2023160, N/A

SECTION: 0001 Contract Items

Alt Set ID: Alt Mbr ID:

Table with 5 columns: Proposal Line Number, Item ID Description, Approximate Quantity and Units, Unit Price, Bid Amount. Rows include items like 'Removing Storm Sewer (size) 01. 8-Inch', 'Abandoning Manholes', 'Excavation Common', etc.





Proposal Schedule of Items

Proposal ID: 20230110023 Project(s): 6230-14-71, 6230-14-72, 6517-15-60
Federal ID(s): WISC 2023161, WISC 2023160, N/A

SECTION: 0001 Contract Items

Alt Set ID: Alt Mbr ID:

Table with 5 columns: Proposal Line Number, Item ID Description, Approximate Quantity and Units, Unit Price, Bid Amount. Rows include items like Backfill Structure Type A, Prepare Foundation for Asphaltic Paving, Finishing Roadway, Base Aggregate Dense, Breaker Run, Pit Run, Concrete Pavement, etc.



Proposal Schedule of Items

Proposal ID: 20230110023 Project(s): 6230-14-71, 6230-14-72, 6517-15-60  
 Federal ID(s): WISC 2023161, WISC 2023160, N/A

SECTION: 0001 Contract Items

Alt Set ID: Alt Mbr ID:

Proposal Line Number	Item ID Description	Approximate Quantity and Units	Unit Price	Bid Amount
0092	416.0180 Concrete Driveway 8-Inch	2.000 SY	_____.	_____.
0094	416.1010 Concrete Surface Drains	2.000 CY	_____.	_____.
0096	450.4000 HMA Cold Weather Paving	5,100.000 TON	_____.	_____.
0098	455.0605 Tack Coat	33,992.000 GAL	_____.	_____.
0100	460.0105.S HMA Percent Within Limits (PWL) Test Strip Volumetrics	2.000 EACH	_____.	_____.
0102	460.0110.S HMA Percent Within Limits (PWL) Test Strip Density	2.000 EACH	_____.	_____.
0104	460.2000 Incentive Density HMA Pavement	7,480.000 DOL	1.00000	7,480.00
0106	460.2005 Incentive Density PWL HMA Pavement	32,140.000 DOL	1.00000	32,140.00
0108	460.2007 Incentive Density HMA Pavement Longitudinal Joints	29,720.000 DOL	1.00000	29,720.00
0110	460.2010 Incentive Air Voids HMA Pavement	52,720.000 DOL	1.00000	52,720.00
0114	460.5224 HMA Pavement 4 LT 58-28 S	9,650.000 TON	_____.	_____.
0116	460.6223 HMA Pavement 3 MT 58-28 S	26,830.000 TON	_____.	_____.
0118	460.6224 HMA Pavement 4 MT 58-28 S	25,880.000 TON	_____.	_____.
0120	465.0105 Asphaltic Surface	3,384.000 TON	_____.	_____.
0122	465.0110 Asphaltic Surface Patching	220.000 TON	_____.	_____.
0124	465.0120 Asphaltic Surface Driveways and Field Entrances	75.000 TON	_____.	_____.



Proposal Schedule of Items

Proposal ID: 20230110023 Project(s): 6230-14-71, 6230-14-72, 6517-15-60
Federal ID(s): WISC 2023161, WISC 2023160, N/A

SECTION: 0001 Contract Items

Alt Set ID: Alt Mbr ID:

Table with 5 columns: Proposal Line Number, Item ID Description, Approximate Quantity and Units, Unit Price, Bid Amount. Rows include items like Asphaltic Shoulder Rumble Strips, Asphalt Centerline Rumble Strips, Concrete Masonry Bridges, Protective Surface Treatment, Pigmented Surface Sealer, Concrete Masonry Endwalls, Bar Steel Reinforcement, Piling Steel Sheet, Floor Drains, Rubberized Membrane Waterproofing, Apron Endwalls, and Concrete Collars for Pipe.



Proposal Schedule of Items

Proposal ID: 20230110023 Project(s): 6230-14-71, 6230-14-72, 6517-15-60
Federal ID(s): WISC 2023161, WISC 2023160, N/A

SECTION: 0001 Contract Items

Alt Set ID: Alt Mbr ID:

Table with 5 columns: Proposal Line Number, Item ID Description, Approximate Quantity and Units, Unit Price, Bid Amount. Rows include items like Cleaning Culvert Pipes, Culvert Pipe Corrugated Steel, and Culvert Pipe Reinforced Concrete.



Proposal Schedule of Items

Proposal ID: 20230110023 Project(s): 6230-14-71, 6230-14-72, 6517-15-60
Federal ID(s): WISC 2023161, WISC 2023160, N/A

SECTION: 0001 Contract Items

Alt Set ID: Alt Mbr ID:

Table with 5 columns: Proposal Line Number, Item ID Description, Approximate Quantity and Units, Unit Price, Bid Amount. Rows include items like Apron Endwalls for Culvert Pipe, Piling CIP Concrete, Concrete Curb & Gutter, Concrete Sidewalk, and Riprap.



Proposal Schedule of Items

Proposal ID: 20230110023 Project(s): 6230-14-71, 6230-14-72, 6517-15-60
Federal ID(s): WISC 2023161, WISC 2023160, N/A

SECTION: 0001 Contract Items

Alt Set ID: Alt Mbr ID:

Table with 5 columns: Proposal Line Number, Item ID Description, Approximate Quantity and Units, Unit Price, Bid Amount. Rows include items like Riprap Medium, Riprap Heavy, Storm Sewer Pipe Reinforced Concrete Class III 12-Inch, etc.



Proposal Schedule of Items

Proposal ID: 20230110023 Project(s): 6230-14-71, 6230-14-72, 6517-15-60
Federal ID(s): WISC 2023161, WISC 2023160, N/A

SECTION: 0001 Contract Items

Alt Set ID: Alt Mbr ID:

Table with 5 columns: Proposal Line Number, Item ID Description, Approximate Quantity and Units, Unit Price, Bid Amount. Rows include items like Adjusting Inlet Covers, Pipe Underdrain, Steel Plate Beam Guard, MGS Guardrail, and Water.



Proposal Schedule of Items

Proposal ID: 20230110023 Project(s): 6230-14-71, 6230-14-72, 6517-15-60
Federal ID(s): WISC 2023161, WISC 2023160, N/A

SECTION: 0001 Contract Items

Alt Set ID: Alt Mbr ID:

Table with 5 columns: Proposal Line Number, Item ID Description, Approximate Quantity and Units, Unit Price, Bid Amount. Rows include items like Topsoil, Salvaged Topsoil, Mulching, Erosion Bales, Silt Fence, etc.





Proposal Schedule of Items

Proposal ID: 20230110023 Project(s): 6230-14-71, 6230-14-72, 6517-15-60  
 Federal ID(s): WISC 2023161, WISC 2023160, N/A

SECTION: 0001 Contract Items

Alt Set ID: Alt Mbr ID:

Proposal Line Number	Item ID Description	Approximate Quantity and Units	Unit Price	Bid Amount
0308	629.0210 Fertilizer Type B	5.960 CWT	_____.	_____.
0310	630.0110 Seeding Mixture No. 10	122.000 LB	_____.	_____.
0312	630.0140 Seeding Mixture No. 40	50.700 LB	_____.	_____.
0314	630.0500 Seed Water	214.200 MGAL	_____.	_____.
0316	633.5200 Markers Culvert End	38.000 EACH	_____.	_____.
0318	634.0612 Posts Wood 4x6-Inch X 12-FT	4.000 EACH	_____.	_____.
0320	634.0616 Posts Wood 4x6-Inch X 16-FT	2.000 EACH	_____.	_____.
0322	634.0808 Posts Tubular Steel 2x2-Inch X 8-FT	2.000 EACH	_____.	_____.
0324	637.2210 Signs Type II Reflective H	11.000 SF	_____.	_____.
0326	637.2230 Signs Type II Reflective F	12.000 SF	_____.	_____.
0328	638.2102 Moving Signs Type II	10.000 EACH	_____.	_____.
0330	642.5201 Field Office Type C	1.000 EACH	_____.	_____.
0332	643.0300 Traffic Control Drums	10,555.000 DAY	_____.	_____.
0334	643.0410 Traffic Control Barricades Type II	456.000 DAY	_____.	_____.
0336	643.0420 Traffic Control Barricades Type III	9,351.000 DAY	_____.	_____.
0338	643.0705 Traffic Control Warning Lights Type A	19,333.000 DAY	_____.	_____.
0340	643.0900 Traffic Control Signs	40,479.000 DAY	_____.	_____.



Proposal Schedule of Items

Proposal ID: 20230110023 Project(s): 6230-14-71, 6230-14-72, 6517-15-60
Federal ID(s): WISC 2023161, WISC 2023160, N/A

SECTION: 0001 Contract Items

Alt Set ID: Alt Mbr ID:

Table with 5 columns: Proposal Line Number, Item ID Description, Approximate Quantity and Units, Unit Price, Bid Amount. Rows include items like Traffic Control Covering Signs Type II, Traffic Control Signs Fixed Message, Traffic Control Signs PCMS, Temporary Marking Line Paint 4-Inch, Temporary Marking Line Epoxy 4-Inch, Traffic Control, Temporary Pedestrian Surface Asphalt, Temporary Pedestrian Curb Ramp, Temporary Pedestrian Detectable Warning Field, Temporary Pedestrian Barricade, Geotextile Type DF Schedule A, Geotextile Type HR, Geotextile Type R, Marking Line Epoxy 4-Inch, Marking Line Grooved Wet Ref Epoxy 4-Inch, Marking Line Grooved Wet Ref Epoxy 8-Inch.



Proposal Schedule of Items

Proposal ID: 20230110023 Project(s): 6230-14-71, 6230-14-72, 6517-15-60
Federal ID(s): WISC 2023161, WISC 2023160, N/A

SECTION: 0001 Contract Items

Alt Set ID: Alt Mbr ID:

Table with 5 columns: Proposal Line Number, Item ID Description, Approximate Quantity and Units, Unit Price, Bid Amount. Rows include items like Marking Arrow Epoxy, Marking Stop Line Epoxy, Cold Weather Marking Epoxy, etc.



Proposal Schedule of Items

Proposal ID: 20230110023 Project(s): 6230-14-71, 6230-14-72, 6517-15-60
Federal ID(s): WISC 2023161, WISC 2023160, N/A

SECTION: 0001 Contract Items

Alt Set ID: Alt Mbr ID:

Table with 5 columns: Proposal Line Number, Item ID Description, Approximate Quantity and Units, Unit Price, Bid Amount. Rows include items like Construction Staking Sidewalk, Supplemental Control, Slope Stakes, Conduit Rigid Nonmetallic, and Cable Traffic Signal.



Proposal Schedule of Items

Proposal ID: 20230110023 Project(s): 6230-14-71, 6230-14-72, 6517-15-60
Federal ID(s): WISC 2023161, WISC 2023160, N/A

SECTION: 0001 Contract Items

Alt Set ID: Alt Mbr ID:

Table with 5 columns: Proposal Line Number, Item ID Description, Approximate Quantity and Units, Unit Price, Bid Amount. Rows include items like Cable Traffic Signal 12-14 AWG, Electrical Wire Traffic Signals 10 AWG, Loop Detector Lead In Cable, Loop Detector Wire, Electrical Service Meter Breaker Pedestal, Pedestal Bases, Transformer Bases Breakaway, Poles Type 2, Traffic Signal Standards Aluminum, Trombone Arms, Traffic Signal Face, Pedestrian Signal Face, Pedestrian Push Buttons, Signal Mounting Hardware, Lamp, Ballast, LED, Switch Disposal by Contractor.



Proposal Schedule of Items

Proposal ID: 20230110023 Project(s): 6230-14-71, 6230-14-72, 6517-15-60
Federal ID(s): WISC 2023161, WISC 2023160, N/A

SECTION: 0001 Contract Items

Alt Set ID: Alt Mbr ID:

Table with 5 columns: Proposal Line Number, Item ID Description, Approximate Quantity and Units, Unit Price, Bid Amount. Rows include items like Sawing Asphalt, Sawing Concrete, Incentive Strength Concrete Structures, etc.



Proposal Schedule of Items

Proposal ID: 20230110023 Project(s): 6230-14-71, 6230-14-72, 6517-15-60
Federal ID(s): WISC 2023161, WISC 2023160, N/A

SECTION: 0001 Contract Items

Alt Set ID: Alt Mbr ID:

Table with 5 columns: Proposal Line Number, Item ID Description, Approximate Quantity and Units, Unit Price, Bid Amount. Rows include items like Grounding Pull Boxes, Antiseep Collar, Manhole 4x4 Special, Flap Gate 36-Inch, Storm Sewer Tap, Cleaning Inlets, etc.

Section: 0001 Total:

Total Bid:

