



Wisconsin Department of Transportation

Division of Transportation Systems Development

Bureau of Project Development
4822 Madison Yards Way, 4th Floor South
Madison, WI 53705

Telephone: (608) 266-1631
Facsimile (FAX): (608) 266-8459

February 9, 2023

NOTICE TO ALL CONTRACTORS:

Proposal #03: 1620-05-70, WISC 2023236
New Lisbon - Necedah
25th St W to 400' N of Kingsbury Dr
STH 80
Juneau County

Letting of February 14, 2023

This is Addendum No. 02, which provides for the following:

Plan Sheets:

Added Plan Sheets	
Plan Sheet	Plan Sheet Title (brief description of why sheet was added)
38A	SDD Silt Fence
39A	SDD Steel Plate Beam Guard Energy Absorbing Terminal
39B	SDD Steel Plate Beam Guard Energy Absorbing Terminal
39C	SDD Steel Thrie Beam Bullnose Terminal

Deleted Plan Sheets	
Plan Sheet	Plan Sheet Title (brief description of why sheet was deleted)
40-43	SDD 14B42 Midwest Guardrail System (MGS) Guardrail
44-46	SDD 14B44 Midwest Guardrail System (MGS) Terminal
47-58	SDD 14B45 Midwest Guardrail System (MGS) Thrie Beam Transition
59-65	SDD 14B47 Midwest Guardrail System (MGS) Type 2 Terminal

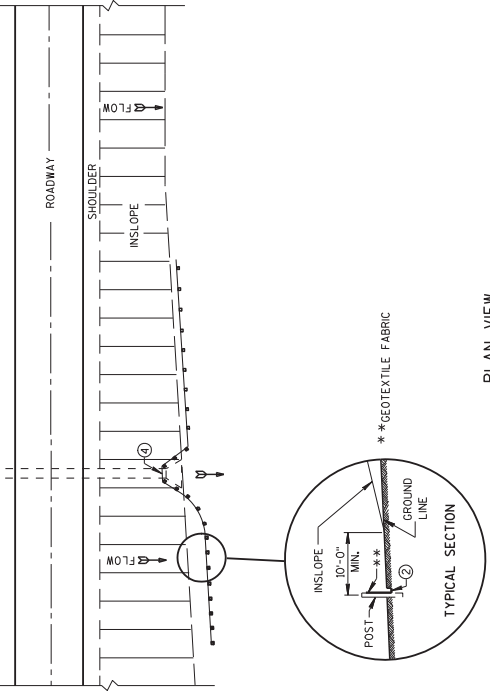
The responsibility for notifying potential subcontractors and suppliers of these changes remains with the prime contractor.

Sincerely,

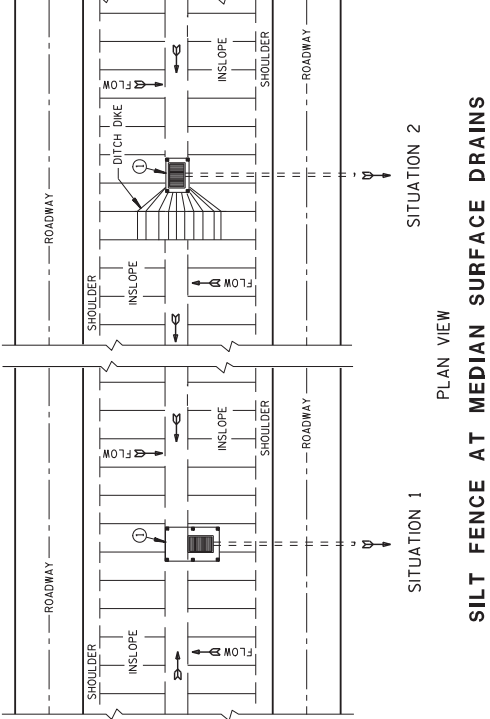
Mike Coleman

Proposal Development Specialist
Proposal Management Section

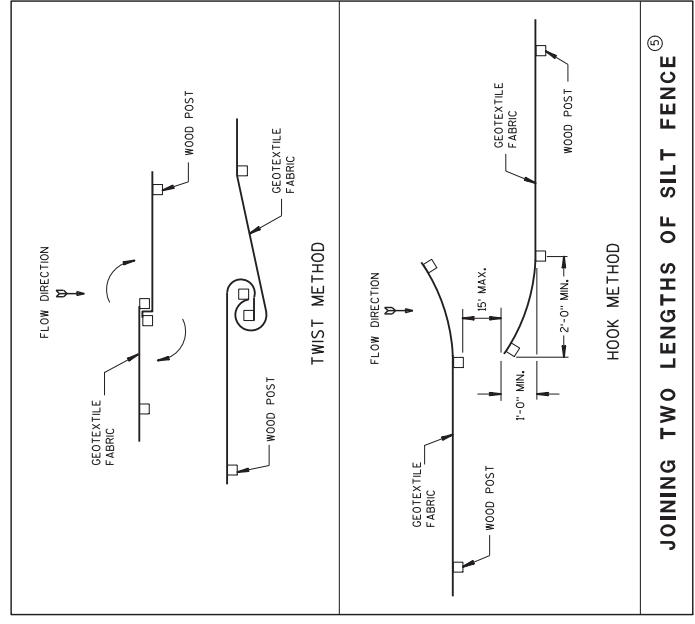
END OF ADDENDUM



TYPICAL APPLICATION OF SILT FENCE

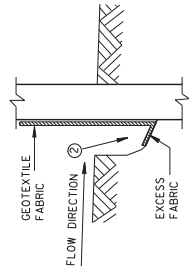


SILT FENCE AT MEDIAN SURFACE DRAINS

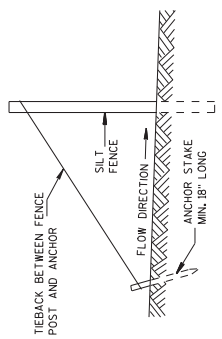


JOINING TWO LENGTHS OF SILT FENCE

- GENERAL NOTES**
- DETAILS OF CONSTRUCTION NOT SHOWN ON THIS DRAWING SHALL CONFORM TO THE PERTINENT REQUIREMENTS OF THE STANDARD SPECIFICATIONS AND APPLICABLE SPECIAL PROVISIONS.
- HORIZONTAL BRACE REQUIRED WITH 2" X 4" WOODEN FRAME OR EQUIVALENT AT TOP OF POSTS.
 - FOR MANUAL INSTALLATIONS THE TRENCH SHALL BE A MINIMUM OF 4" WIDE & 6" DEEP TO BURY AND ANCHOR THE GEOTEXTILE FABRIC. FOLD MATERIAL TO FIT TRENCH AND BACKFILL & COMPACT TRENCH WITH EXCAVATED SOIL.
 - WOOD POSTS SHALL BE A MINIMUM SIZE OF 1/8" X 1/2" OF OAK OR HICKORY.
 - SILT FENCE TO EXTEND ACROSS THE TOP OF THE PIPE.
 - CONSTRUCT SILT FENCE FROM A CONTINUOUS ROLL IF POSSIBLE BY CUTTING FOLLOWING TO AVOID JOINTS. IF A JOINT IS NECESSARY USE ONE OF THE FOLLOWING TWO METHODS: OVERLAP THE END POSTS AND TWIST, OR TWIST; AT LEAST 180 DEGREES; OR HOOK THE END OF EACH SILT FENCE LENGTH.



TRENCH DETAIL



SILT FENCE TIE BACK (WHEN REQUIRED BY THE ENGINEER)

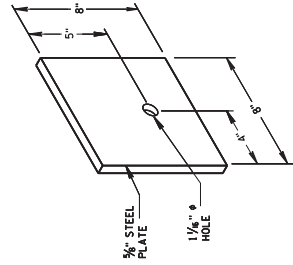
Addendum No. 02
ID 1620-05-70
Added Sheet 38A
February 9, 2023

SILT FENCE	
STATE OF WISCONSIN DEPARTMENT OF TRANSPORTATION	
APPROVED 4-29-05	/s/ Beth Connors, P.E. DATE: _____ CHEF, ROADWAY DEVELOPMENT ENGINEER PHWA

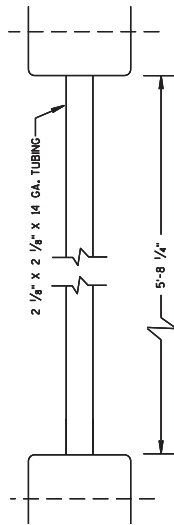
Addendum No. 02
ID 1620-05-70
Added Sheet 39B
February 9, 2023

STEEL PLATE BEAM GUARD
ENERGY ABSORBING TERMINAL
STATE OF WISCONSIN
DEPARTMENT OF TRANSPORTATION

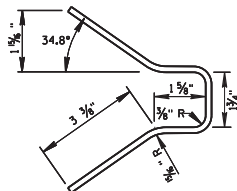
39B



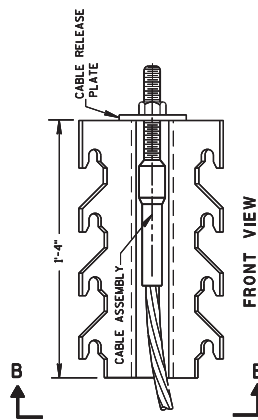
⑦ STEEL BEARING PLATE



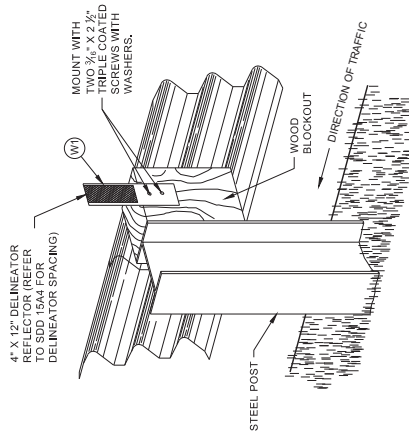
⑩ STRUT DETAIL



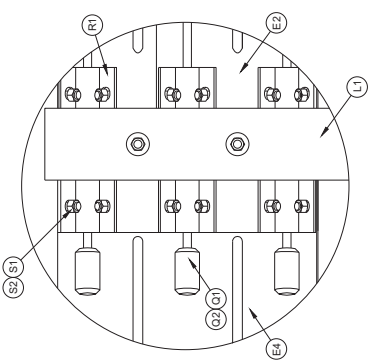
SECTION B-B



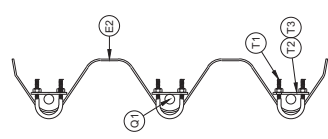
⑨ CABLE ANCHOR BOX



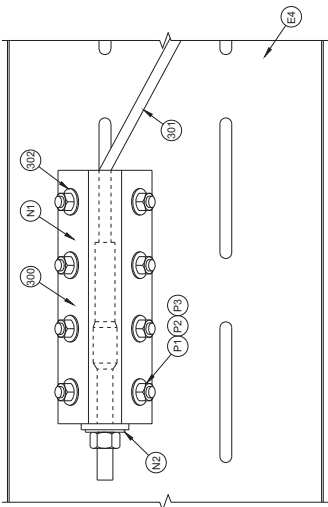
ONE SIDED REFLECTOR DETAIL AND TYPICAL INSTALLATION



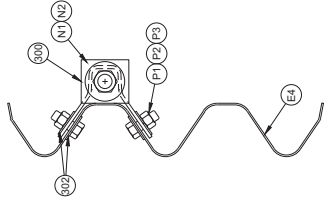
DETAIL "A"



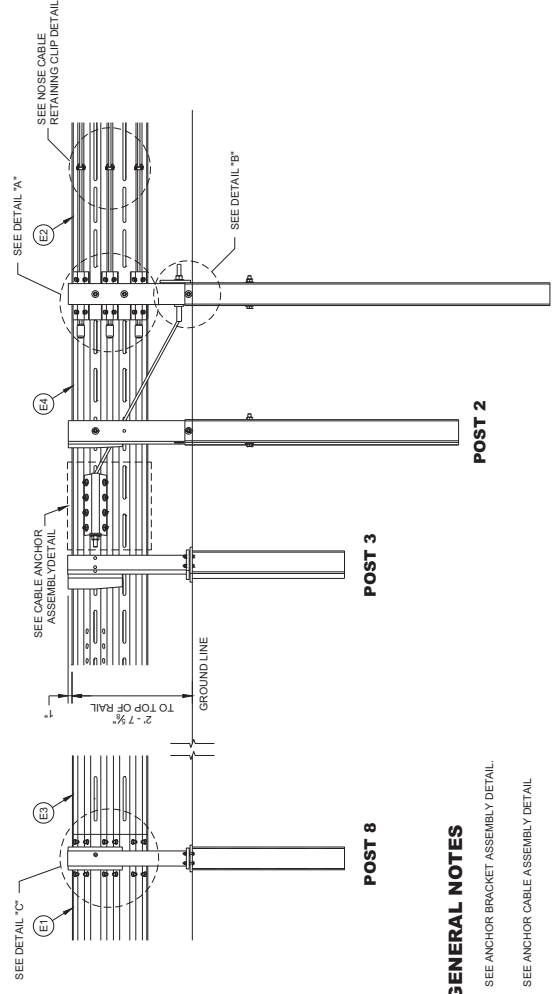
NOSE CABLE RETAINING CLIP



CABLE ANCHOR ASSEMBLY



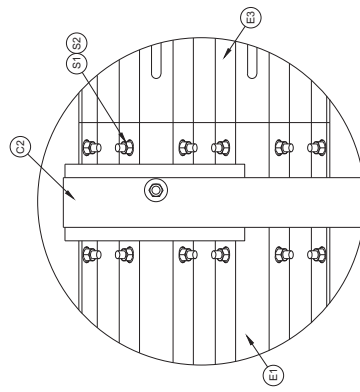
PROFILE VIEW CABLE ANCHOR ASSEMBLY CONNECTION



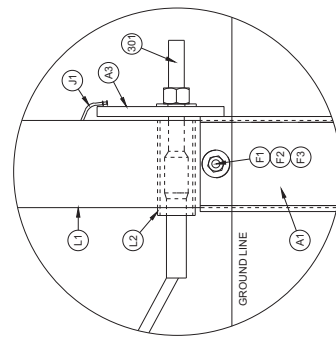
CROSS SECTION A - A

GENERAL NOTES

- 900 SEE ANCHOR BRACKET ASSEMBLY DETAIL.
- 901 SEE ANCHOR CABLE ASSEMBLY DETAIL
- 902 ONE WASHER BETWEEN BOLT HEAD AND RAIL AND BETWEEN NUT AND ANCHOR BRACKET ASSEMBLY.
- 903 ONE WASHER BETWEEN BOLT HEAD AND FOUNDATION TUBE AND BETWEEN NUT AND FOUNDATION TUBE.



DETAIL "C" THRIE BEAM SPLICE



DETAIL "B"

STEEL THRIE BEAM BULLNOSE TERMINAL
STATE OF WISCONSIN DEPARTMENT OF TRANSPORTATION

Addendum No. 02
ID 1620-05-70
Added Sheet 39C
February 9, 2023

