



# Wisconsin Department of Transportation

## Division of Transportation Systems Development

Bureau of Project Development  
4822 Madison Yards Way, 4<sup>th</sup> Floor South  
Madison, WI 53705

Telephone: (608) 266-1631  
Facsimile (FAX): (608) 266-8459

March 1, 2023

### NOTICE TO ALL CONTRACTORS:

**Proposal #34: 1197-18-78, WISC 2023297  
New Auburn – Spooner  
Wildcat Rd to CTH A (NB & SB)  
USH 53  
Washburn County**

### Letting of March 14, 2023

This is Addendum No. 01, which provides for the following:

#### Plan Sheets:

Revised Plan Sheets	
Plan Sheet	Plan Sheet Title (brief description of changes to sheet)
316 - 329	SDD – Concrete Barrier Temporary Precast, 12'-6"

The responsibility for notifying potential subcontractors and suppliers of these changes remains with the prime contractor.

Sincerely,

*Mike Coleman*

Proposal Development Specialist  
Proposal Management Section

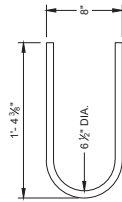
END OF ADDENDUM



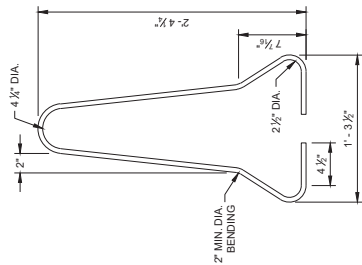
Addendum No. 01  
ID 1197-18-78  
Revised Sheet 317  
March 1, 2023

CONCRETE BARRIER  
TEMPORARY PRECAST,  
12' - 6"

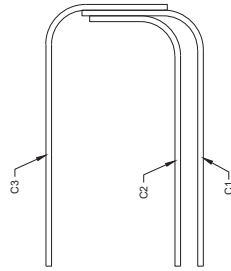
STATE OF WISCONSIN  
DEPARTMENT OF TRANSPORTATION



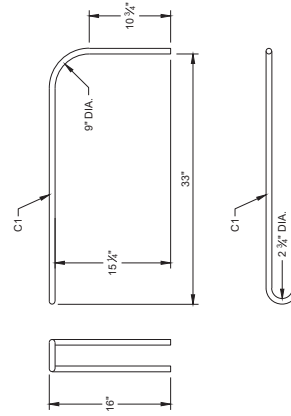
**B5 BAR DETAIL**



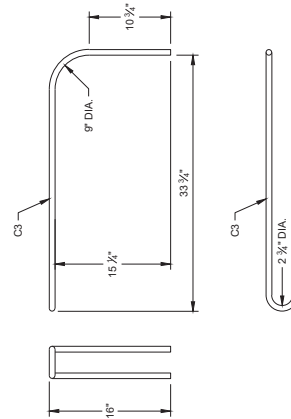
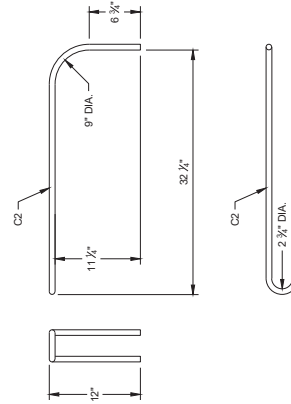
**B4 BAR DETAIL**

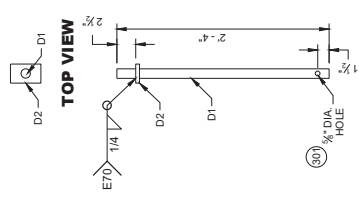


**PROFILE VIEW  
LOOP BAR ASSEMBLY**

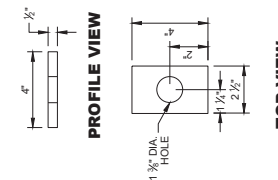


**C BAR DETAILS**

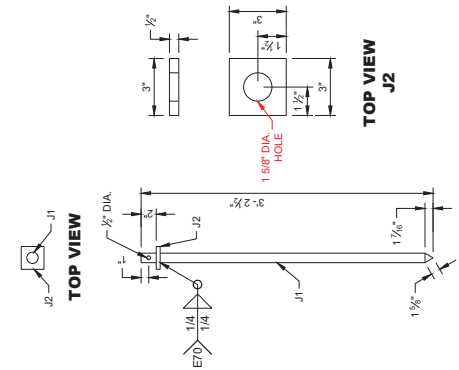




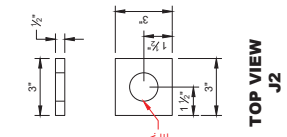
**PROFILE VIEW  
CONNECTOR PIN  
ASSEMBLY**



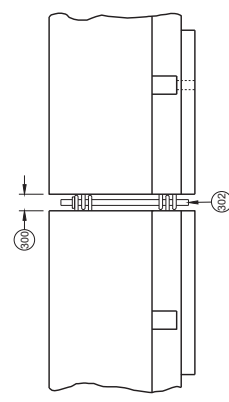
**TOP VIEW  
D2**



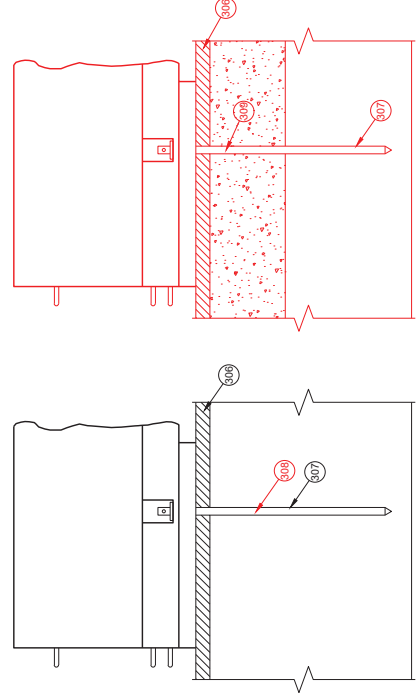
**PROFILE VIEW  
ASPHALT ANCHOR PIN  
ASSEMBLY**



**TOP VIEW  
J2**



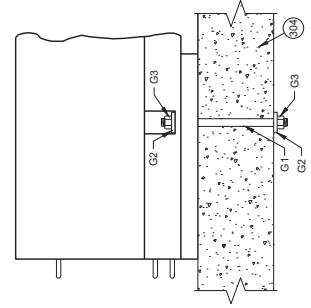
**CONNECTING TEMPORARY  
BARRIER SECTIONS**



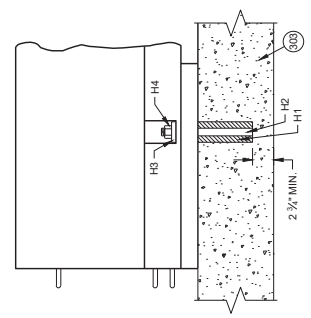
**SIDE VIEW  
ASPHALT ANCHOR  
INSTALLATION  
THROUGH  
ASPHALT PAVEMENT**

**SIDE VIEW  
ASPHALT ANCHOR  
INSTALLATION  
THROUGH  
ASPHALT OVERLAY  
ON TOP OF  
CONCRETE PAVEMENT**

- GENERAL NOTES**
- 300 SET WITH 3/4" WOOD BLOCK.
  - 301 HOLE IS OPTIONAL.
  - 302 CONNECTOR PIN ASSEMBLY.
  - 303 CONCRETE PAVEMENT, APPROACH SLAB, OR DECK.
  - 304 CONCRETE DECK.
  - 305 DO NOT USE ON CONCRETE BRIDGE DECK WITH ASPHALT OVERLAY OR CONCRETE PAVEMENT WITH ASPHALT OVERLAY.
  - 306 MINIMUM OF 2" OF ASPHALT.
  - 307 ASPHALT ANCHOR PIN ASSEMBLY.
  - 308 IF DRILLING A PILOT HOLE, THE MAX. DIA. OF THE HOLE IS 3/4".
  - 309 WHEN THERE IS ASPHALT OVERLAYING CONCRETE PAVEMENT, A 1 5/8" DIA. PILOT HOLE CAN BE DRILLED INTO THE OVERLAY AND CONCRETE. IF NEEDED DRILL A 3/4" PILOT HOLE IN BASE COURSE.



**SIDE VIEW  
THROUGH BOLT ANCHOR  
INSTALLATION**

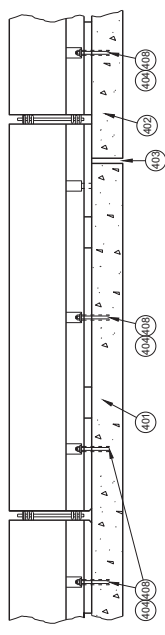


**SIDE VIEW  
ADHESIVE ANCHOR  
INSTALLATION**

Addendum No. 01  
ID 1197-18-78  
Revised Sheet 318  
March 1, 2023

**CONCRETE BARRIER  
TEMPORARY PRECAST,  
12' - 6"**

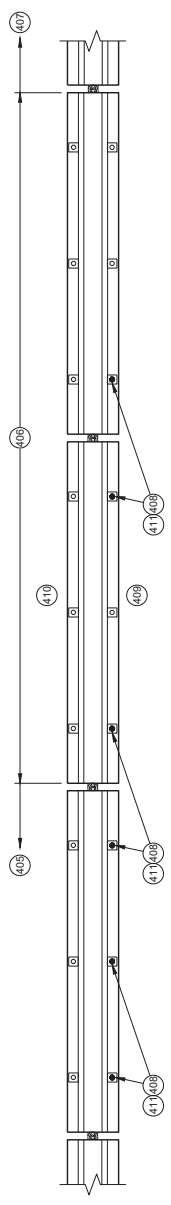
STATE OF WISCONSIN  
DEPARTMENT OF TRANSPORTATION



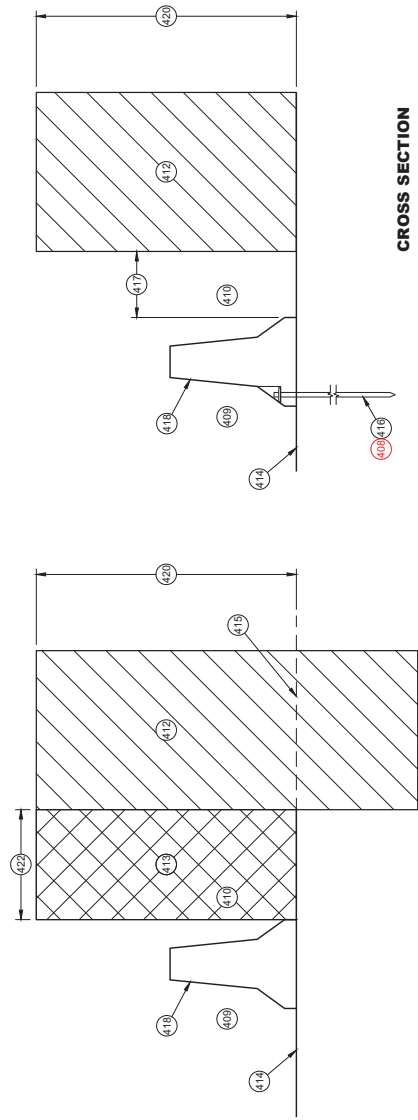
**PROFILE VIEW**  
**ANCHORED BARRIER NEAR EXPANSION JOINT**

**GENERAL NOTES**

- 400 NO SINGLE CONCRETE BARRIER SECTION SHALL BE ANCHORED TO BOTH THE BRIDGE DECK AND THE APPROACH SLAB. THE ANCHORING SHALL BE LIMITED TO ONE ANCHOR BOLT PER SECTION. THE ANCHOR BOLT SHALL BE ELIMINATED FROM A BARRIER SECTION WHEN SPANNING AN EXPANSION JOINT.
- 401 CONCRETE DECK
- 402 CONCRETE DECK OR APPROACH SLAB
- 403 EXPANSION JOINT
- 404 ADHESIVE ANCHOR SHOWN. SEE ANCHOR DETAILS.
- 405 ANCHORED TEMPORARY BARRIER
- 406 TRANSITION FROM ANCHORED TEMPORARY BARRIER TO FREE STANDING
- 407 REMOVE ALL ANCHORS WHEN NO LONGER NEEDED. FILL CONCRETE PAVEMENTS, DECKS AND APPROACH PAVEMENTS WITH ASTM D3960 TYPE I RUBBERIZED CRACK FILLER.
- 408 TRAFFIC SIDE
- 409 NON-TRAFFIC SIDE
- 410 ANCHOR LOCATION. SEE ANCHORING DETAILS.
- 411 WORK AREA
- 412 AREA FREE OF OBJECTS AND WORKERS
- 413 GRADE LINE
- 414 EXTENDED GRADE LINE
- 415 ANCHORED TEMPORARY BARRIER. SEE BOLT THROUGH DECK, REMOVABLE ADHESIVE ANCHOR, OR AN ASPHALT ANCHOR ROD DETAILS FOR MORE INFORMATION. ASPHALT ANCHOR ROD SHOWN.
- 416 WHEN OBJECTS EXTEND ABOVE THE GRADE, A MINIMUM OF 1 FOOT IS REQUIRED FROM BACK OF BARRIER TO OBJECT.
- 417 OBJECTS ARE NOT TO BE PLACED ON, INSTALLED TO, OR ALLOWED TO LEAN AGAINST THE BARRIER WITHOUT WRITTEN PERMISSION OF THE PROJECT ENGINEER.
- 418 DEPTHS OF 3 FEET OR MORE.
- 419 Y = 6.5'
- 420 OFFSET FROM BACK OF BARRIER EDGE:  
CONCRETE PAVEMENT 1.0'  
ASPHALT 0.5'
- 421 POSTED SPEED (MPH):  
4.0' OR LOWER  
2.0'

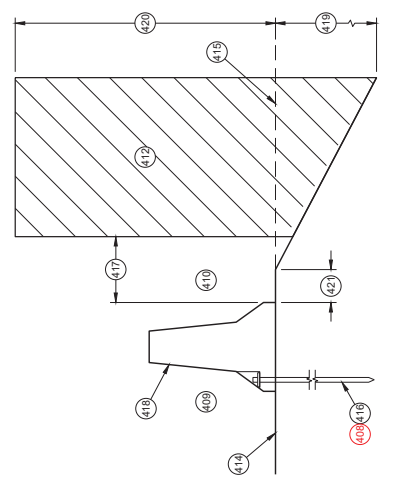


**PLAN VIEW**  
**TRANSITION FROM FREE STANDING TO ANCHORED BARRIER**

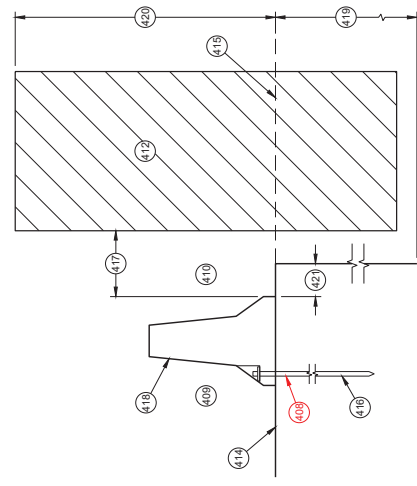


**CROSS SECTION**  
**FREE STANDING BARRIER**

**CROSS SECTION**  
**ANCHORED BARRIER FOR OBJECTS ABOVE THE GRADE LINE AND NEAR THE BARRIER**



**CROSS SECTION**  
**ANCHORED BARRIER NEAR A SLOPE**



**CROSS SECTION**  
**ANCHORED BARRIER NEAR VERTICAL DROP OFF**

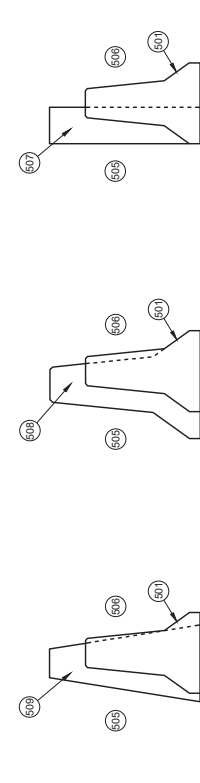
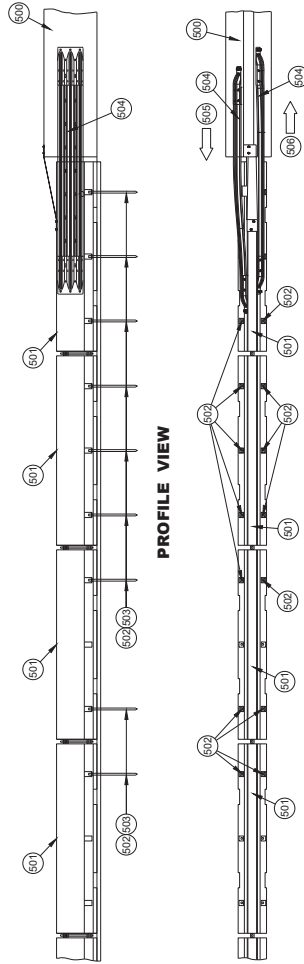
Addendum No. 01  
ID 1197-18-78  
Revised Sheet 319  
March 1, 2023

**CONCRETE BARRIER  
TEMPORARY PRECAST,  
12' - 6"**

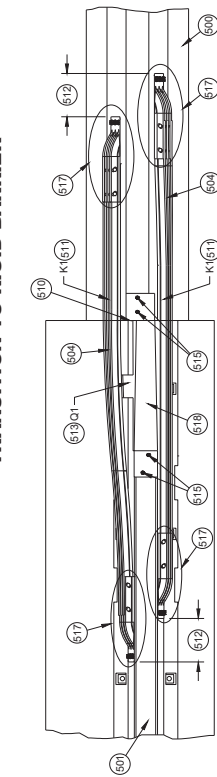
STATE OF WISCONSIN  
DEPARTMENT OF TRANSPORTATION

**GENERAL NOTES**

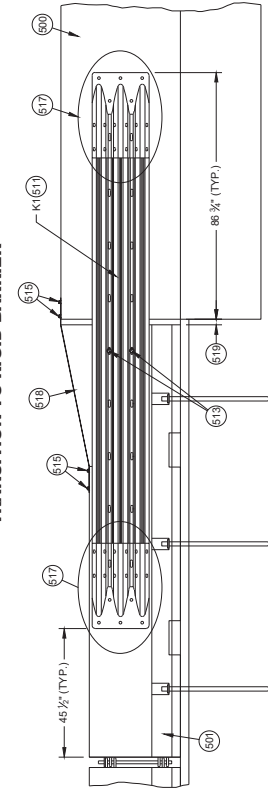
- 600 EXISTING RIGID BARRIERS (VARIES)
- 601 TEMPORARY BARRIER
- 602 SEE OTHER DETAIL ON HOW TO ANCHOR TEMPORARY BARRIER (BARRIER ASPHALT ANCHOR SHOWN).
- 603 ANCHORS ARE REQUIRED ON BOTH SIDES OF THE TEMPORARY BARRIER.
- 604 NESTED RAILS ARE REQUIRED ON BOTH SIDES OF THE TEMPORARY BARRIER FOR ALL INSTALLATIONS.
- 605 TRAFFIC TRAVELS FROM PERMANENT BARRIER TO TEMPORARY BARRIER.
- 606 TRAFFIC TRAVELS FROM TEMPORARY BARRIER TO PERMANENT BARRIER.
- 607 VERTICAL BARRIER
- 608 SAFETY SHAPE BARRIER
- 609 SINGLE SLOPE BARRIER
- 610 CAP END PLATE PLACED FLUSH WITH UPSTREAM END OF RIGID BARRIER.
- 611 BENT THRIE BEAM TO FIT.
- 612 THRIE BEAM PIECES ARE OFFSET 15'± TO PREVENT INTERFERENCE FROM THE ANCHORS ON OPPOSING SIDES.
- 613 TWO (2) P1, P2 AND P3 ARE REQUIRED
- 614 FIVE (5) N1, N2 AND N3 ARE REQUIRED
- 615 TWO (2) R1, R2 AND R3 ARE REQUIRED
- 616 CUT WOOD BLOCK TO FIT.
- 617 SEE THREE BEAM RAIL TERMINAL CONNECTOR DETAIL ASSEMBLY.
- 618 CAP ASSEMBLY
- 619 4" MAX. GAP BETWEEN TEMPORARY BARRIER AND RIGID BARRIER.
- 620 ALL TWELVE SPLICE HOLES REQUIRE M1 AND M2



**PLAN VIEW**  
**TRANSITION TO RIGID BARRIER**

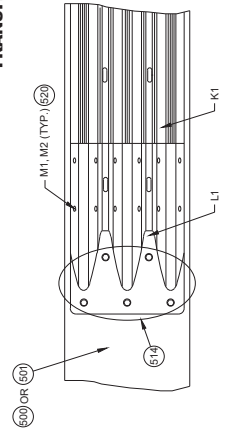


**PLAN DETAIL VIEW**  
**TRANSITION TO RIGID BARRIER**

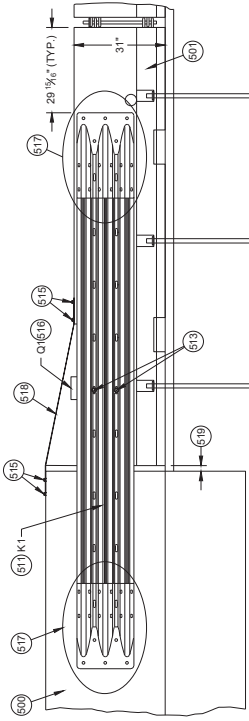


**FRONT DETAIL VIEW**  
**TRANSITION TO RIGID BARRIER**

**THRIE BEAM RAIL TERMINAL CONNECTOR ASSEMBLY**



**BACK DETAIL VIEW**  
**TRANSITION TO RIGID BARRIER**

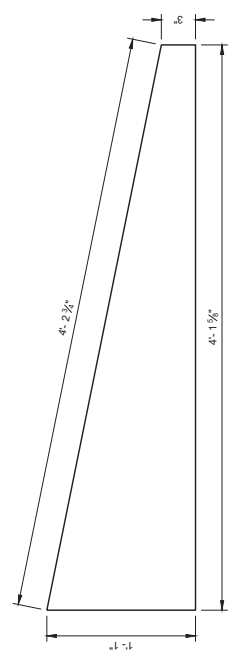


Addendum No. 01  
ID 1197-18-78  
Revised Sheet 320  
March 1, 2023

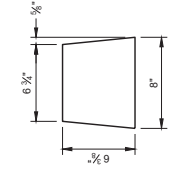
**CONCRETE BARRIER  
TEMPORARY PRECAST,  
12' - 6"**

STATE OF WISCONSIN  
DEPARTMENT OF TRANSPORTATION

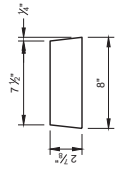
**CONCRETE BARRIER  
TEMPORARY PRECAST,  
12' - 6"**  
STATE OF WISCONSIN  
DEPARTMENT OF TRANSPORTATION



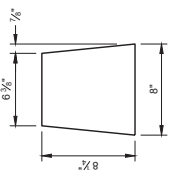
**SIDE VIEW  
S3**



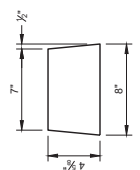
**S5**



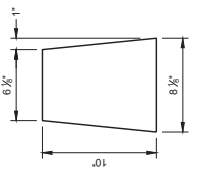
**S7**



**S4**



**S6**

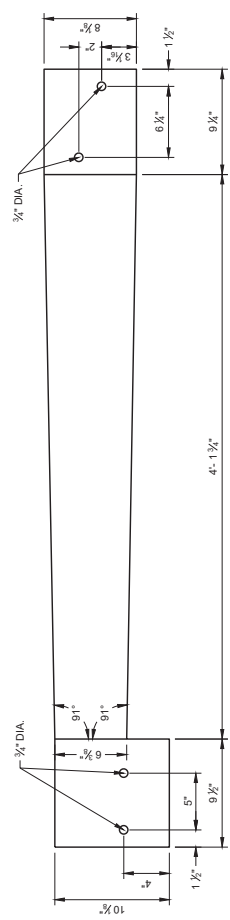


**S2**

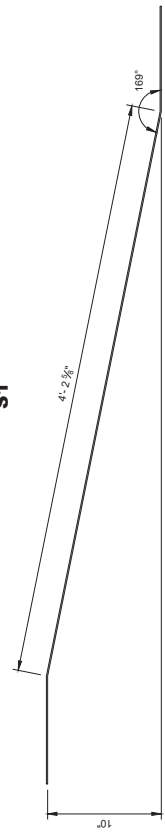
**GENERAL NOTES**

- STITCH WELD GUSSET PLATES AND END PLATES ON THREE SIDES
- STITCH WELD TWO SIDE PLATES TO TOP PLATE, END PLATE AND GUSSETS.
- (600) SIDE PLATES (S3) NOT SHOWN FOR CLARITY.

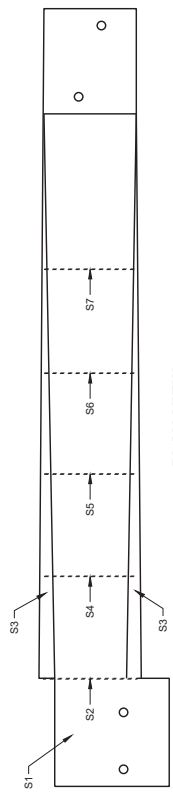
Addendum No. 01  
ID 1197-18-78  
Revised Sheet 321  
March 1, 2023



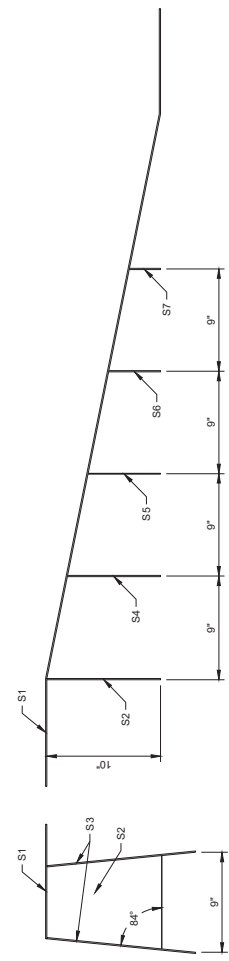
**TOP VIEW  
S1**



**ELEVATION VIEW  
S1**



**PLAN VIEW**



**(600) SIDE VIEW**

**BACK VIEW**

**42" TOP CAP ASSEMBLY**

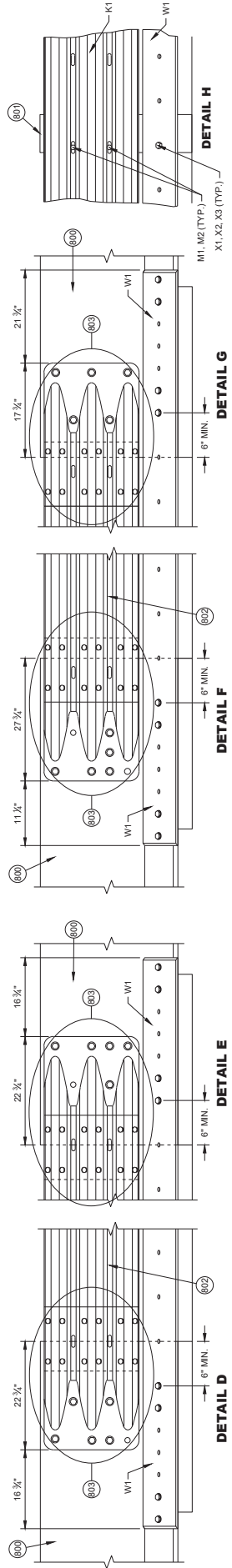




Addendum No. 01  
ID 1197-18-78  
Revised Sheet 323  
March 1, 2023

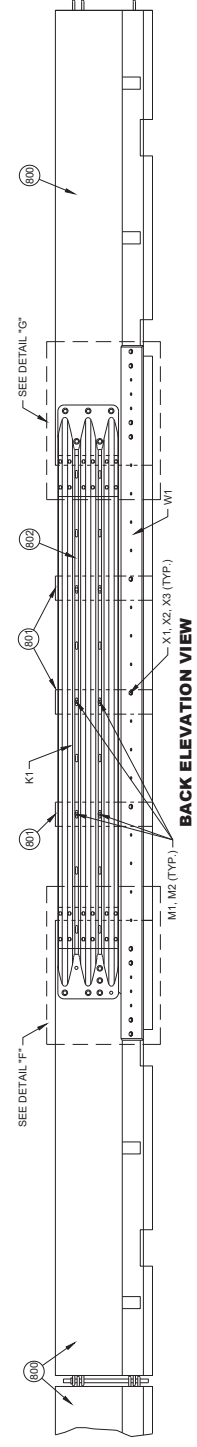
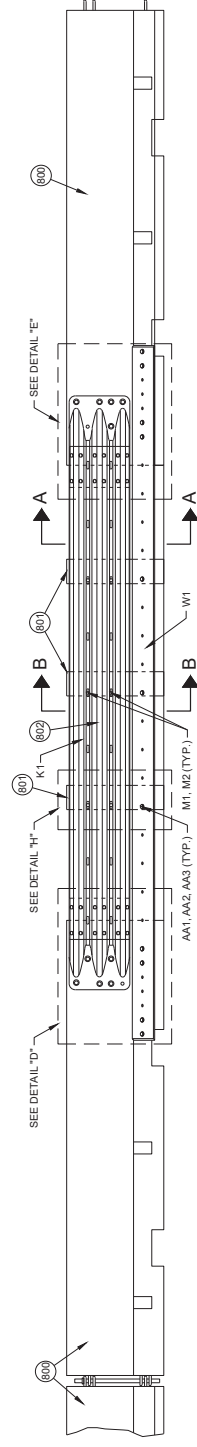
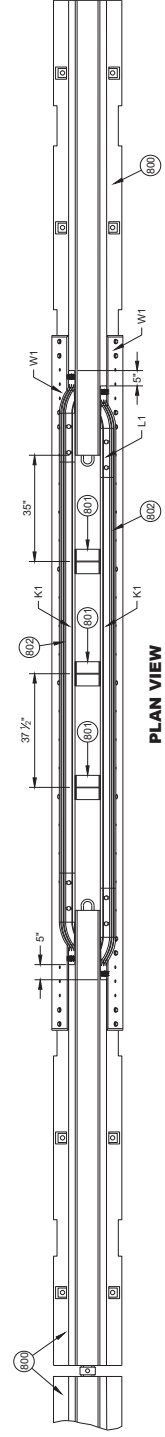
**CONCRETE BARRIER  
TEMPORARY PRECAST,  
12' - 6"**

STATE OF WISCONSIN  
DEPARTMENT OF TRANSPORTATION



**GENERAL NOTES**

- 600 FREE STANDING TEMPORARY BARRIER
- 601 GAP STIFFENER ASSEMBLY
- 602 THRIE BEAMS ARE NESTED ON BOTH SIDES OF THE TEMPORARY BARRIER.
- 603 SEE THRIE BEAM RAIL TERMINAL CONNECTOR DETAIL

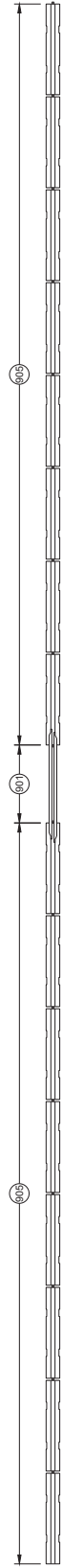


**PORTABLE CONCRETE BARRIER GAP THRIE BEAM COVER**

**CONCRETE BARRIER  
 TEMPORARY PRECAST,  
 12' - 6"**

STATE OF WISCONSIN  
 DEPARTMENT OF TRANSPORTATION

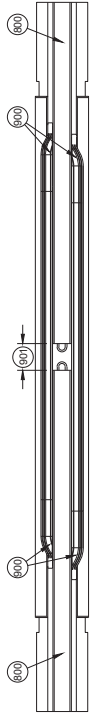
Addendum No. 01  
 ID 1197-18-78  
 Revised Sheet 324  
 March 1, 2023



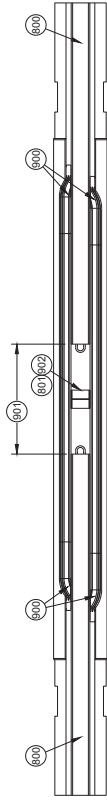
**PLAN VIEW  
 GAP WITHIN SPACING**

**GENERAL NOTES**

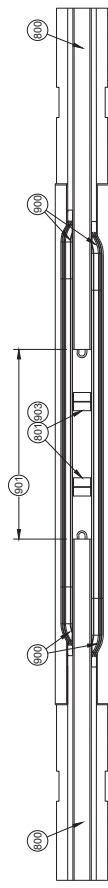
- 600 SEE OTHER DETAILS FOR TEMPORARY GAP-HARDWARE (TYP.)
- 601 TEMPORARY BARRIER GAP
- 602 GAP STIFFENER ASSEMBLY CENTERED IN THE GAP.
- 603 GAP STIFFENER ASSEMBLY IS OFFSET 18 3/4" FROM CENTER
- 604 MINIMUM NUMBER OF GAP STIFFENERS SHOWN FOR THE GAP RANGE SHOWN.
- 605 MINIMUM OF 8 CONTINUOUS FREE STANDING TEMPORARY BARRIERS



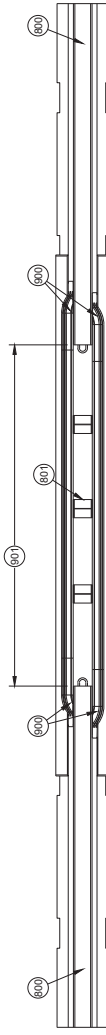
**PLAN VIEW  
 TEMPORARY BARRIER GAP OVER 4" TO 1' MAX.**



**PLAN VIEW  
 TEMPORARY BARRIER GAP OVER 1' TO 4' MAX.**



**PLAN VIEW  
 TEMPORARY BARRIER GAP OVER 4' TO 7' MAX.**



**PLAN VIEW  
 TEMPORARY BARRIER GAP OVER 7' TO 12.5' MAX.**



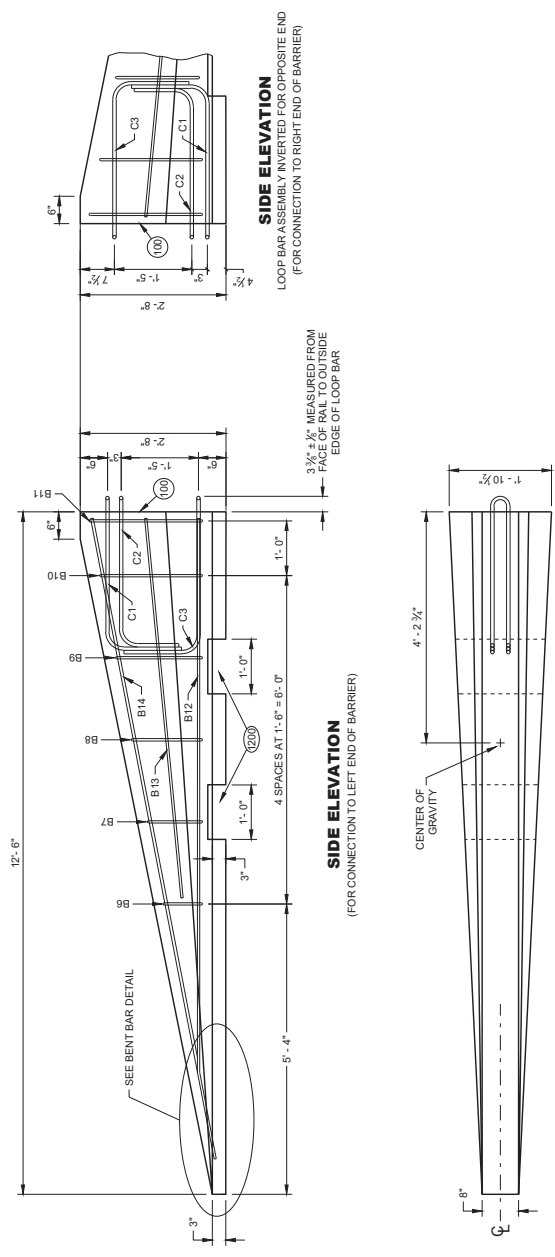


Addendum No. 01  
 ID 1197-18-78  
 Revised Sheet 327  
 March 1, 2023

**CONCRETE BARRIER  
 TEMPORARY PRECAST,  
 12' - 6"**  
 STATE OF WISCONSIN  
 DEPARTMENT OF TRANSPORTATION

**GENERAL NOTES**

(20) SEE LIFTING SLOT DETAIL. LOCATION OF LIFTING SLOTS DETERMINED BY CONTRACTOR.



**FLARE AT BARRIER END**



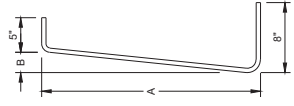
POSTED SPEED, (MPH)	FLARE RATE
40 OR LESS	6:1
45 OR GREATER	8:1

**PLAN VIEW**

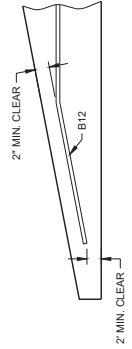


BAR	A	B
B6	10"	1"
B7	1'-1"	1 1/2"
B8	1'-5"	1 3/4"
B9	1'-8"	1 3/4"
B10	2'-0 1/2"	2 3/4"
B11	2'-3"	2 3/4"

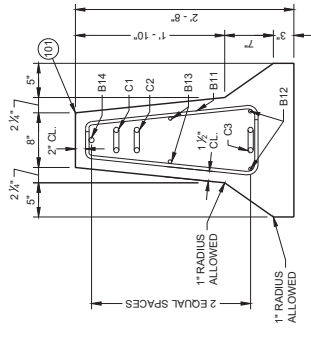
**B BARS**  
 2 OF EACH SIZE REQUIRED FOR STIRRUP ASSEMBLY



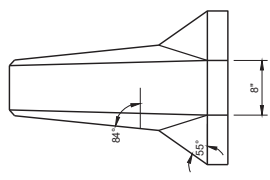
**BENT BAR DETAIL**



**END SECTION**



**FRONT ELEVATION**



**DETAILS OF BARRIER TAPER SECTION**



**BILL OF MATERIALS - CONCRETE BARRIER PRECAST**

PART	DESCRIPTION	MATERIALS SPECIFICATIONS	NOTES
T1	CAP 56-INCH TOP PLATE	ASHTO M117 / ASTM A123 ASTM A92 MIN. STRENGTH 36 KSI OR ASTM A529 MAX. STRENGTH 50 KSI OR ASTM A992 MAX. STRENGTH 50 KSI	12 GAUGE
T2	CAP 56-INCH END PLATE	ASHTO M117 / ASTM A123 ASTM A92 MIN. STRENGTH 36 KSI OR ASTM A529 MAX. STRENGTH 50 KSI OR ASTM A992 MAX. STRENGTH 50 KSI	12 GAUGE
T3	CAP 56-INCH SIDE PLATE 1	ASHTO M117 / ASTM A123 ASTM A92 MIN. STRENGTH 36 KSI OR ASTM A529 MAX. STRENGTH 50 KSI OR ASTM A992 MAX. STRENGTH 50 KSI	12 GAUGE
T4	CAP 56-INCH SIDE PLATE 2	ASHTO M117 / ASTM A123 ASTM A92 MIN. STRENGTH 36 KSI OR ASTM A529 MAX. STRENGTH 50 KSI OR ASTM A992 MAX. STRENGTH 50 KSI	12 GAUGE
T5	CAP 56-INCH GUSSET 1	ASHTO M117 / ASTM A123 ASTM A92 MIN. STRENGTH 36 KSI OR ASTM A529 MAX. STRENGTH 50 KSI OR ASTM A992 MAX. STRENGTH 50 KSI	12 GAUGE
T6	CAP 56-INCH GUSSET 2	ASHTO M117 / ASTM A123 ASTM A92 MIN. STRENGTH 36 KSI OR ASTM A529 MAX. STRENGTH 50 KSI OR ASTM A992 MAX. STRENGTH 50 KSI	12 GAUGE
T7	CAP 56-INCH GUSSET 3	ASHTO M117 / ASTM A123 ASTM A92 MIN. STRENGTH 36 KSI OR ASTM A529 MAX. STRENGTH 50 KSI OR ASTM A992 MAX. STRENGTH 50 KSI	12 GAUGE
T8	CAP 42-INCH GUSSET 4	ASHTO M117 / ASTM A123 ASTM A92 MIN. STRENGTH 36 KSI OR ASTM A529 MAX. STRENGTH 50 KSI OR ASTM A992 MAX. STRENGTH 50 KSI	12 GAUGE
T9	CAP 42-INCH GUSSET 5	ASHTO M117 / ASTM A123 ASTM A92 MIN. STRENGTH 36 KSI OR ASTM A529 MAX. STRENGTH 50 KSI OR ASTM A992 MAX. STRENGTH 50 KSI	12 GAUGE
T10	CAP 42-INCH GUSSET 6	ASHTO M117 / ASTM A123 ASTM A92 MIN. STRENGTH 36 KSI OR ASTM A529 MAX. STRENGTH 50 KSI OR ASTM A992 MAX. STRENGTH 50 KSI	12 GAUGE
T11	CAP 42-INCH GUSSET 7	ASHTO M117 / ASTM A123 ASTM A92 MIN. STRENGTH 36 KSI OR ASTM A529 MAX. STRENGTH 50 KSI OR ASTM A992 MAX. STRENGTH 50 KSI	12 GAUGE
T12	CAP 42-INCH GUSSET 8	ASHTO M117 / ASTM A123 ASTM A92 MIN. STRENGTH 36 KSI OR ASTM A529 MAX. STRENGTH 50 KSI OR ASTM A992 MAX. STRENGTH 50 KSI	12 GAUGE
T13	CAP 42-INCH GUSSET 9	ASHTO M117 / ASTM A123 ASTM A92 MIN. STRENGTH 36 KSI OR ASTM A529 MAX. STRENGTH 50 KSI OR ASTM A992 MAX. STRENGTH 50 KSI	12 GAUGE
T14	CAP 42-INCH GUSSET 10	ASHTO M117 / ASTM A123 ASTM A92 MIN. STRENGTH 36 KSI OR ASTM A529 MAX. STRENGTH 50 KSI OR ASTM A992 MAX. STRENGTH 50 KSI	12 GAUGE
T15	CAP 42-INCH GUSSET 11	ASHTO M117 / ASTM A123 ASTM A92 MIN. STRENGTH 36 KSI OR ASTM A529 MAX. STRENGTH 50 KSI OR ASTM A992 MAX. STRENGTH 50 KSI	12 GAUGE
T16	CAP 42-INCH GUSSET 12	ASHTO M117 / ASTM A123 ASTM A92 MIN. STRENGTH 36 KSI OR ASTM A529 MAX. STRENGTH 50 KSI OR ASTM A992 MAX. STRENGTH 50 KSI	12 GAUGE
U1	GAP STIFFENER	ASHTO M117 / ASTM A123 ASTM A92 MIN. STRENGTH 36 KSI OR ASTM A529 MAX. STRENGTH 50 KSI OR ASTM A992 MAX. STRENGTH 50 KSI	12 GAUGE
U2	GAP STIFFENER - CONNECTION PLATE 1	ASHTO M117 / ASTM A123 ASTM A92 MIN. STRENGTH 36 KSI OR ASTM A529 MAX. STRENGTH 50 KSI OR ASTM A992 MAX. STRENGTH 50 KSI	12 GAUGE
U3	GAP STIFFENER - CONNECTOR PLATE 2	ASHTO M117 / ASTM A123 ASTM A92 MIN. STRENGTH 36 KSI OR ASTM A529 MAX. STRENGTH 50 KSI OR ASTM A992 MAX. STRENGTH 50 KSI	12 GAUGE

PART	DESCRIPTION	MATERIALS SPECIFICATIONS	NOTES
V1	THREE BEAM RAIL TERMINAL MECHANICAL OR ADHESIVE ANCHOR	MINIMUM MECHANICAL OR ADHESIVE ANCHOR STRENGTH REQUIREMENTS ULTIMATE TENSILE LOAD 24.0 KIIPS AND ULTIMATE SHEAR LOAD 21.5 KIIPS. SEE 603.2 AND 603.3.1.2 OF THE WISCONSIN STANDARD SPECIFICATIONS FOR MORE INFORMATION ON ADHESIVE ANCHORS.	3/4" DIA.
V2	GAP STIFFENER - BOLT - NUT	HOT DIP ASHTO M232 CLASS C / ASTM A143 CLASS C / ASTM F2329 C OR MECHANICAL GALVANIZE TO ASHTO M286 CLASS 50 TYPE 1 / ASTM B995 CLASS 50 TYPE 1 UNC OVER HEX HEAD OR ASHTO M286 CLASS 50 TYPE 1 / ASTM B995 CLASS 50 TYPE 1 UNC OVER SAE J429 GRADE 5 HEAVY HEX HEAD ASTM A639H	
W1	TOE PLATE	ASHTO M117 / ASTM A123 ASTM A92 MIN. STRENGTH 36 KSI OR ASTM A529 MAX. STRENGTH 50 KSI OR ASTM A992 MAX. STRENGTH 50 KSI	
X1	TOE PLATE - CONNECTION BOLT	HOT DIP ASHTO M232 CLASS C / ASTM A143 CLASS C / ASTM F2329 C OR MECHANICAL GALVANIZE TO ASHTO M286 CLASS 50 TYPE 1 / ASTM B995 CLASS 50 TYPE 1 UNC OVER HEX HEAD OR ASHTO M189 HEAVY HEX HEAD / ASTM F125 GRADE A325 TYPE 1 HEAVY HEX HEAD OR SAE J429 GRADE 5 HEAVY HEX HEAD / ASTM A448 TYPE 1 HEAVY HEX HEAD. BOLTS MAY BE FULLY THREADED. PROVIDE ENOUGH THREADING FOR PROPER TIGHTENING OF BOLT.	3/4" DIA.
X2	TOE PLATE - CONNECTION BOLT - WASHER	HOT DIP ASHTO M232 CLASS C / ASTM A143 CLASS C / ASTM F2329 C OR MECHANICAL GALVANIZE TO ASHTO M286 CLASS 55 TYPE 2 / ASTM B896 CLASS 55 TYPE 2, F438 TYPE 1 (HARDEN WASHER ONLY)	
X3	TOE PLATE - CONNECTION BOLT - NUT	HOT DIP ASHTO M232 CLASS C / ASTM A143 CLASS C / ASTM F2329 C OR MECHANICAL GALVANIZE TO ASHTO M286 CLASS 55 TYPE 2 / ASTM B995 CLASS 55 UNC OVER TAP NUTS AS SPECIFIED IN ASHTO 281 / ASTM A 593 HEAVY HEX HEAD ASTM A583DH OR SAE J895 GRADE 5	

Addendum No. 01  
ID 1197-18-78  
Revised Sheet 329  
March 1, 2023

**CONCRETE BARRIER  
TEMPORARY PRECAST,  
12' - 6"**

STATE OF WISCONSIN  
DEPARTMENT OF TRANSPORTATION

APPROVED  
February 2023  
DATE

ISS: Rodney Taylor  
ROADWAY STRIPING DEVELOPMENT  
ENGINEER

