



Wisconsin Department of Transportation

April 5, 2024

Division of Transportation Systems Development
Bureau of Project Development
4822 Madison Yards Way, 4th Floor South
Madison, WI 53705

Telephone: (608) 266-1631
Facsimile (FAX): (608) 266-8459

NOTICE TO ALL CONTRACTORS:

Proposal #07: 1060-10-71
IH 94 East West Freeway
CTH T and CTH JJ (B-67-240,245)
IH 94
Waukesha County

1060-47-70
IH 94 East West Freeway
STH 83 to STH 16
IH 94
Waukesha County

1330-47-71
C Delafield, State Road 83
Nagawaukee Park and Ride Lot
Off Sys
Waukesha County

2788-03-70
C Waukesha Meadowbrook Road
Rolling Ridge Dr to IH 94 EB Ramps
STH 318
Waukesha County

Letting of April 9, 2024

This is Addendum No. 02, which provides for the following:

Special Provisions:

Revised Special Provisions	
Article No.	Description
45	Culvert Pipe Liners 18-Inch, Item 520.9700.S.001; Cleaning Culvert Pipes for Liner Verification, Item 520.9750.S.

Deleted Special Provisions	
Article No.	Description
72	Backfill Slurry

Schedule of Items:

Revised Bid Item Quantities					
Bid Item	Item Description	Unit	Proposal Total Prior to Addendum	Proposal Quantity Change (-)	Proposal Total After Addendum
209.1100	Backfill Granular Grade 1	CY	476	180	656
305.0110	Base Aggregate Dense 1 1/4-Inch	TON	1596	35	1631
455.0605	Tack Coat	GAL	45,907	10	45,917
465.0125	Asphaltic Surface Temporary	TON	2144	64	2208
531.6120	Foundation Two-Shaft Type FF-II (structure) 001. S-67-420	EACH	1	1	2

Deleted Bid Item Quantities					
Bid Item	Item Description	Unit	Proposal Total Prior to Addendum	Proposal Quantity Change (-)	Proposal Total After Addendum
SPV.0035.001	Backfill Slurry	CY	180	-180	0

Plan Sheets:

Revised Plan Sheets 1060-47-70	
Plan Sheet	Plan Sheet Title (brief description of changes to sheet)
33	Construction Details – Detail for Installation of Culvert Pipes (Revised backfill material and temporary patch material)
315	Miscellaneous Quantities (Revised bid items Backfill Granular Grade 1 and Base Aggregate Dense 1 1/4-Inch for the cross culverts)
316	Miscellaneous Quantities (Revised bid items Tack Coat and Asphaltic Surface Temporary for the cross culverts)
346	Miscellaneous Quantities (Removed the bid item for Backfill Slurry)
773K	Structure S-67-420 General Notes & Design Data (Revised quantity for Foundation Two-Shaft Type FF-II (structure) 001. S-67-420)

The responsibility for notifying potential subcontractors and suppliers of these changes remains with the prime contractor.

Sincerely,

Mike Coleman

Proposal Development Specialist
Proposal Management Section

ADDENDUM NO. 02

1060-10-71/1060-47-70/1330-47-71/2788-03-70

April 5, 2024

Special Provisions

- 45. Culvert Pipe Liners 18-Inch, Item 520.9700.S.001;
Cleaning Culvert Pipes for Liner Verification, Item 520.9750.S.**

Replace entire section titled B.3.1 Cement with the following:

B.3.1 Cement

Furnish cement meeting the requirements of standard spec 501.2.4.1 for Type I, II, or I-L Portland Cement.

Replace entire section titled B.3.3 Sand with the following:

B.3.3 Sand

Furnish natural sand meeting the fine aggregate requirements of standard spec 501.2.7.2 and the size requirements of standard spec 614.2.6 (in ASP 6) except the percent passing the number 200 sieve shall be 0-5 percent by weight.

Replace the first row of the table in section titled B.3.6 Cellular Grout with the following:

Cement	ASTM C150 ASTM C595	Type I or II Type I-L
--------	------------------------	--------------------------

- 72. Deleted**

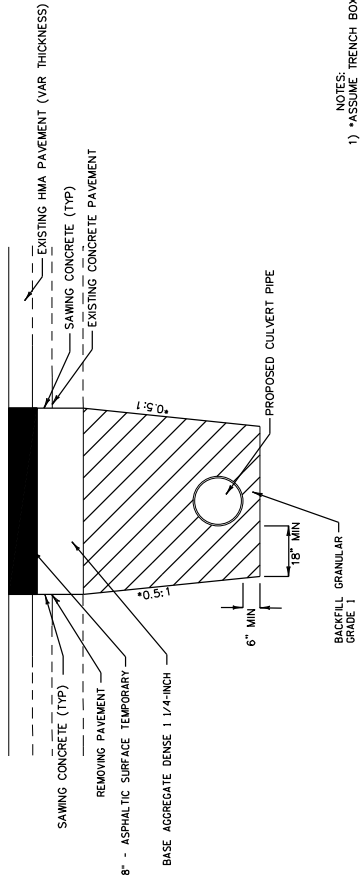
Schedule of Items

Attached, dated April 5, 2024, are the revised Schedule of Items Pages 1-37.

Plan Sheets

The following 8½ x 11-inch sheets are attached and made part of the plans for this proposal:
Revised (1060-47-70): 33, 315, 316, 346, and 773K.

END OF ADDENDUM

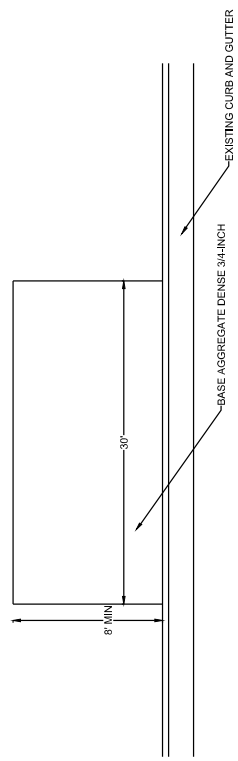


- NOTES
- 1) *ASSUME TRENCH BOX WILL BE USED
 - 2) 1.5:1 SLOPES ARE REQUIRED FOR OPEN TRENCH.
 - 3) LOCATION TO BE BASE PATCHED WITH SHES CONCRETE PRIOR TO MILL & OVERLAY OPERATIONS
 - 4) BOTTOM OF BASE PATCH TO MATCH BOTTOM OF EXISTING CONCRETE PAVEMENT
 - 5) HMA AND BASE AGGREGATE REMOVAL TO BE PAID AS REMOVING PAVEMENT FOR BASE PATCHING.

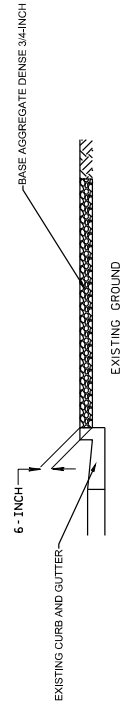


DETAIL FOR INSTALLATION OF CULVERT PIPES
 IH 94 CULVERT CROSSING

Addendum No. 02
 ID 1016-47-70
 Revised Sheet 33
 April 5, 2024



PLAN VIEW



SECTION VIEW

MAINTENANCE PAD DETAIL

PROJECT NO: 1060-47-70	HWY: IH 94	COUNTY: WAUKESHA	CONSTRUCTION DETAILS	SHEET 33	E
FILE NAME: L:\DESIGN PROJECTS\1060-47-00\IH 94 WAUKESHA COUNTY\10. ROADWAY\CADD\SHEETS\PLAN\031001_LD.DWG	PLOT DATE: 4/2/2024 3:45 PM	PLOT BY: TOMY BURBITZ	PLOT NAME: 1 IN=10 FT		WISDOT/CADD/SHEET 42

ALL ITEMS ARE CATEGORY 0010 UNLESS OTHERWISE NOTED

BASE AGGREGATE ITEMS

CATEGORY	ROADWAY	STATION	TO	STATION	OFFSET	209.1100		305.0110		305.0120		624.0100		COMMENTS
						BACKFILL	BASE	GRANULAR	AGGREGATE	BASE AGGREGATE	DENSE 1 1/4-INCH	DENSE 3/4-INCH	DENSE 1 1/4-INCH	
						CY	TON	TON	TON	TON	M GAL			
0010	PROJECT ID 1060-47-70													
	IH 94 WB	459+30		633+00	LT	656	12	186			3		CROSS CULVERTS	
	IH 94 EB SHOULDER	459+58		465+00	LT	--	47	--			1			
	IH 94 WB SHOULDERS	459+60		465+00	LT	--	37	--			1			
	IH 94 EB SHOULDERS	465+00		522+56	LT & RT	--	386	--			6			
	IH 94 WB SHOULDERS	465+00		522+59	LT	--	317	--			5			
	IH 94 EB SHOULDERS	524+06		640+00	LT & RT	--	376	--			6			
	IH 94 WB SHOULDERS	524+10		640+00	LT	--	387	--			6			
	IH 94 EB SHOULDER	706+48		772+14	RT	--	151	--			3			
	IH 94 WB SHOULDER	682+43		772+14	LT	--	184	--			3			
	STH 83 RAMP SHOULDERS	--		--	--	--	72	--			2			
	CTH SS RAMP SHOULDERS	--		--	--	--	170	--			3			
	STH 318 RAMP SHOULDERS	--		--	--	--	195	--			3			
	CTH T RAMP SHOULDERS	--		--	--	--	208	--			4			
	IH 94 MEDIAN CROSSOVER	539+20		539+92	11' LT	--	6	172			3		MEDIAN CROSSOVER	
	STH 318	280+00		291+62		--	--	165			3		CURB AND GUTTER, CURB RAMPS	
	CTH SS	38+56		38+86	66' LT	--	12	--			1		MAINTENANCE PAD	
0130	MEADOWBROOK PARK & RIDE	--		--	--	--	--	77			2		CURB AND GUTTER, CURB RAMPS	
						656	2560	600			55			
0010	PROJECT ID 1330-47-71													
	NAGAWAUKEE PARK & RIDE	4+28		4+42	63' RT	--	--	36			1		BUS STOP	
	NAGAWAUKEE PARK & RIDE	0+18		4+42		--	--	47			1		CURB AND GUTTER, CURB RAMPS	
						--	--	83			2			
0010	PROJECT ID 2788-03-70													
	STH 318	276+00		279+00		--	--	69			2		CURB AND GUTTER, CURB RAMPS	
	SILVERNAIL RD	87+66		90+71		--	4	--			1			
						--	4	69			3			
						656	2560	600			55			
	PROJECT ID 1060-47-70 TOTAL					--	--	83			2			
	PROJECT ID 1330-47-70 TOTAL					--	4	69			3			
	PROJECT ID 2788-03-70 TOTAL					--	--	752			60			
						656	2564	752			60			

Addendum No. 02
ID 1016-47-70
Revised Sheet 315
April 5, 2024

ALL ITEMS ARE CATEGORY 0010 UNLESS OTHERWISE NOTED

ASPHALTIC PAVEMENT

CATEGORY	ROADWAY	STATION	TO	STATION	OFFSET	TACK COAT	GAL	HMA PAVEMENT	TON	HMA PAVEMENT	TON	ASPHALTIC	TON	ASPHALTIC RUMBLE	LF
0010	PROJECT ID 1060-47-70														
	IH 94 EB AND RAMPS	459+30		640+00		9552									35800
	IH 94 WB CROSS CULVERTS	459+30		640+00		10									35768
	IH 94 WB AND RAMPS	459+62		640+00		9739									
	IH 94 EB LANE 1/2 JOINT	459+58		640+00		100									
	IH 94 WB LANE 1/2 JOINT	459+62		640+00		100									
	IH 94 EB AND RAMPS	640+00		676+16		2782									7232
	IH 94 WB AND RAMPS	640+00		676+16		3316									7232
	IH 94 EB AND RAMPS	676+16		707+16		2861									6200
	IH 94 WB AND RAMPS	676+16		707+16		2991									6200
	IH 94 EB AND RAMPS	707+16		732+00		1960									4968
	IH 94 WB AND RAMPS	707+16		732+00		2249									4968
	IH 94 EB AND RAMPS	732+00		794+62		2892									8028
	IH 94 WB AND RAMPS	732+00		794+23		3212									8028
	IH 94 EB LANE 1/2 JOINT	640+00		772+14		74									
	IH 94 WB LANE 1/2 JOINT	640+00		772+14		74									
	IH 94 EB LANE 2/3 JOINT	640+00		772+14		103									
	IH 94 WB LANE 2/3 JOINT	640+00		772+14		103									
	CTH SS	31+00		41+50		301									
	STH 318	280+00		291+62		500									
	ASPHALTIC SURFACE LOCATIONS					278									
	ASPHALTIC REPAIR					46									
	MEADOWBROOK PARK & RIDE	0A+00		3A+74		999									
				SUBTOTAL		44242									124424
0010	PROJECT ID 1330-47-71														
	NAGAWAUKEE PARK & RIDE	0+18		4+42		614									
				SUBTOTAL		614									
0010	PROJECT ID 2788-03-70														
	STH 318	268+83		280+00		763									
				SUBTOTAL		763									
				CONTRACT TOTAL		45619									124424
	PROJECT ID 1060-47-70 TOTAL					44242									
	PROJECT ID 1330-47-71 TOTAL					614									
	PROJECT ID 2788-03-70 TOTAL					763									

Addendum No. 02
ID 1016-47-70
Revised Sheet 316
April 5, 2024

UTILITY LINE OPENING

LOCATION	SPV.0060.057 UTILITY LINE OPENING (ULO)	EACH
PROJECT ID 1060-47-70		
IH 94 EB RAMPS & STH 318		2
IH 94 WB RAMPS & STH 318		2
IH 94 EB RAMPS & CTH T		1
IH 94 WB RAMPS & CTH T		1
STA 522+00, 162' LT		1
STA 603+00, 108' LT		1
STA 633+00, 109' LT		1
SUBTOTAL		9
PROJECT ID 2788-03-70		
STH 318 & SILVERNAIL RD		4
SUBTOTAL		4
PROJECT ID 1060-47-70 TOTAL		9
PROJECT ID 2788-03-70 TOTAL		4
CONTRACT TOTAL		13

ALL ITEMS ARE CATEGORY 0010 UNLESS OTHERWISE NOTED

SECTION CORNERS

ROADWAY	STATION	OFFSET	EACH
PROJECT ID 2788-03-70			
STH 318	275+36	10' RT	1
CONTRACT TOTAL			1

BACKFILL SLURRY

CATEGORY	ROADWAY	STATION TO	STATION	OFFSET	COMMENTS
0010					
PROJECT ID 1060-47-70					
	IH 94	459+30	465+00		CROSS CULVERTS
CONTRACT TOTAL					0

REMOVE AND RESET CABLE BARRIER POST

ROADWAY	STATION	OFFSET	EACH
PROJECT ID 1060-47-70			
IH 94	495+06	42' LT	1
CONTRACT TOTAL			1

Addendum No. 02
ID 1016-47-70
Revised Sheet 346
April 5, 2024

STATE PROJECT NUMBER
1060-47-70

TRAFFIC DATA
IH 94
AADT (2043) 96,465
DESIGN SPEED 70 MPH

LIST OF DRAWINGS:
1. GENERAL NOTES AND DESIGN DATA
2. GENERAL LAYOUT

LIST OF STANDARD DESIGN DRAWINGS
3. I. 4-CHORD TRUSS FULL SPAN TRUSS DETAILS
4. II. 4-CHORD TRUSS FULL SPAN CONNECTION DETAILS
5. III. 4-CHORD TRUSS FULL SPAN CONNECTIONS 1
6. IV. 4-CHORD TRUSS FULL SPAN CONNECTIONS 2
7. V. 4-CHORD TRUSS FULL SPAN CATWALK DETAILS
8. VI. 4-CHORD TRUSS FULL SPAN ELECTRICAL DETAILS
9. VII. 4-CHORD TRUSS FULL SPAN FOUNDATIONS 1
10. VIII. 4-CHORD TRUSS FULL SPAN FOUNDATIONS 2

Addendum No. 02
ID 1016-47-70
Revised Sheet 773K
April 5, 2024

GENERAL NOTES
DRAWINGS SHALL NOT BE SCALED.
ALTERNATE DESIGNS ARE NOT ALLOWED.
COORDINATES ON THE PLAN ARE REFERENCED TO THE WISCONSIN COUNTY COORDINATE SYSTEM (WCS). WALKESHA COUNTY ZONE, MAD 83 (2011). ALL STATIONS AND ELEVATIONS ARE IN FEET. ELEVATIONS ARE REFERENCED TO THE NORTH AMERICAN VERTICAL DATUM NAVD 88 (2012).
ALL REINFORCING BARS ARE IN BRACKETED UNITS. THE FIRST DIGIT OF A THREE-DIGIT BAR MARK OR THE FIRST TWO DIGITS OF A FOUR-DIGIT BAR MARK SIGNIFIES THE BAR SIZE.
SIGN BRIDGE ID PLAQUES SHALL BE CONSIDERED INCIDENTAL TO THE BID ITEM "TRUSS FULL SPAN 4-CHORD (TYPE)" FOR EACH APPLICABLE SIGN STRUCTURE IN THE PLAN SET. LOCATE THE ID PLAQUE TO BE INSTALLED ON THE SIGN STRUCTURE IN ACCORDANCE WITH S.D.D. 12A.4.3.
FABRICATE AND INSTALL THE ID PLAQUE IN ACCORDANCE WITH S.D.D. 12A.4.3.
CATWALKS ARE USED ON 4-CHORD STRUCTURES CARRYING DMS SIGNS. CATWALKS SHALL BE IDENTIFIED TO THE BID ITEM "TRUSS FULL SPAN 4-CHORD (TYPE)" FOR EACH DMS SIGN STRUCTURE IN THE PLAN SET.
UNLESS DETAILED OTHERWISE IN THE PLANS, ALL H.S. BOLTED CONNECTIONS SHALL BE MADE WITH 3/4" DIA A325 GALVANIZED BOLTS. FIELD CONNECTIONS SHALL BE INSTALLED WITH DTI WASHERS.
WELDED CONNECTIONS CAN BE USED IN LIEU OF BOLTED CONNECTIONS, IF A TRUSS UNIT CAN BE GALVANIZED IN ONE PIECE.
WELD TEST AS PER AWS D1.1.
SEE SIGN PLATE NO. A4-6, A4-7A & A4-7B OF THE SIGN PLATE MANUAL FOR INSTRUCTIONS ON CENTERING SIGNS VERTICALLY ON THE TRUSS.
SIGNS OR BLANKS SHALL BE INSTALLED ON TRUSS AT TIME OF ERECTION. BLANKS SHALL BE 1/4 THE LENGTH OF THE CANTILEVER SPAN, 2'-0" DEEPER THAN THE E.C.L. OF CHORDS, AND SHALL BE CENTERED ON THE BRIDGE. SIGNS SHALL BE AS DESIGNATED ON THE PLANS.
THE INFORMATION SHOWN ON THESE DRAWINGS CONCERNING TYPE AND LOCATION OF UNDERGROUND UTILITIES IS NOT GUARANTEED TO BE ACCURATE OR ALL-INCLUSIVE. THE CONTRACTOR IS RESPONSIBLE FOR MAKING HIS OWN DETERMINATION OF THE TYPE AND LOCATION OF UTILITIES AS MAY BE NECESSARY TO AVOID DAMAGE.
CONTRACTOR SHALL SUBMIT SHOP DRAWINGS PER THE REQUIREMENTS IN THE STANDARD SPECIFICATIONS PRIOR TO FABRICATION OF THE STRUCTURE. CONTRACTOR SHALL SHOW SIGNS ON THE SHOP DRAWINGS.
THE CONTRACTOR SHALL BE RESPONSIBLE FOR DRILLING OR EYECAVING AND MAINTAINING A STABLE AND OPEN HOLE FOR SUBSEQUENT INSTALLATION OF CONCRETE MASONRY FOR THE DRILLED SHAFTS. PARTIAL OR FULL DEPTH TEMPORARY CASING MAY BE REQUIRED TO MAINTAIN THE STABILITY OF THE EXCAVATED HOLE FOR THE SIGN SUPPORT PRIOR TO FILLING THE HOLE WITH CONCRETE. PERMANENT CASING MADE FROM STEEL OR CORRUGATED METAL PIPE MAY BE USED IN LIEU OF TEMPORARY CASING FOR PERMANENT CASING, IF USED, SHALL BE INCIDENTAL TO THE BID ITEM "DRILLING SHAFT 36-INCH".

DESIGN DATA
DESIGNED ACCORDING TO THE ASHTO "LRFD SPECIFICATIONS FOR STRUCTURAL SUPPORTS FOR HIGHWAY SIGNS, LUMINAIRES, AND TRAFFIC SIGNALS", 1ST EDITION AND INTERIM SPECIFICATIONS, AND THE WIDEST BRIDGE MANUAL.
FOUNDATION DESIGNED ACCORDING TO THE ASHTO LRFD BRIDGE DESIGN SPECIFICATIONS, 8TH EDITION.
DEAD LOAD: W.T. OF DMS SIGN AND SUPPORTING STRUCTURE.
WIND PRESSURE: 120 MPH (35.6 C) GUST SPEED TO SIGN AREA & EXPOSED MEMBERS.
WIND PRESSURE: 120 MPH (35.6 C) GUST SPEED TO SIGN AREA & EXPOSED MEMBERS.
FOUNDATION DESIGNED ACCORDING TO THE ASHTO LRFD BRIDGE DESIGN SPECIFICATIONS, 8TH EDITION.
WIND PRESSURE: 120 MPH (35.6 C) GUST SPEED TO SIGN AREA & EXPOSED MEMBERS.
FOUNDATION DESIGNED ACCORDING TO THE ASHTO LRFD BRIDGE DESIGN SPECIFICATIONS, 8TH EDITION.

TRANSVERSE
LOAD CASE 1: 1.00
LOAD CASE 2: 1.00
LOAD CASE 3: 0.75
LOAD COMBINATIONS
STRENGTH (1.25DC + 1.6L)
EXTREME (MAX DC): 1.1DC + 1.0W + 1.0 IE
EXTREME (MIN DC): 0.9DC + 1.0W
SERVICE (MIN DC): 1.0DC + 1.0W
SERVICE (MAX DC): 1.0DC + 1.0W + 1.0 IE
FADEOUT: 1.0 TRG (TRUCK INDUCED GUST VIBRATION)
1.0 TRG (TRUCK INDUCED GUST VIBRATION)

MATERIAL PROPERTIES
CONCRETE MASONRY $f_c = 3,500$ PSI
HIGH STRENGTH BAR STEEL REINFORCEMENT, GRADE 60 $f_y = 60,000$ psi
STRUCTURAL ANGLES, PLATES, AND BARS - ASTM A709 GRADE 36 $f_y = 36,000$ psi
CHORDS & COLUMN PIPE - ASTM 500 GRADE C $f_y = 46,000$ psi
HIGH STRENGTH BOLTS - A325 $f_y = 92,000$ psi
ANCHOR RODS - ASTM F1554 GRADE 55 $f_y = 55,000$ psi
HEAVY HEX NUTS FOR ANCHOR RODS - ASTM A563A
WASHERS FOR ANCHOR RODS = ASTM F436

FOUNDATION DATA
DRILLED SHAFTS ARE SUPPORTED ON DRILLED SHAFTS THAT HAVE BEEN DESIGNED FOR STRESS HEREIN. SINGLE GREATER THAN OR EQUAL TO 24" (610 MM) DIAMETER OR A CONCRETE VALUE GREATER THAN OR EQUAL TO 750 PSF (COHESIVE SOILS) AND A UNIT WEIGHT OF 125 PCF. THE GROUND WATER TABLE IS ASSUMED TO BE AT A DEPTH OF 10'-0" BELOW THE GROUND SURFACE. ACTUAL WATER LEVEL AT THE SITE MAY VARY. THE REGION GEOTECHNICAL ENGINEER SHALL BE CONSULTED TO CONFIRM THESE PROPERTIES PRIOR TO PLACEMENT OF THE DRILLED SHAFT CONCRETE.

TOTAL ESTIMATED QUANTITIES

BID ITEM NO.	BID ITEM	UNIT	S-67-420
531.2096	DRILLING SHAFT 36-INCH	LF	88
531.6120.001	FOUNDATION TWO-SHAFT TYPE II S-67-420	EA	2
532.6120.001	TRUSS FULL SPAN 4-CHORD TYPE II S-67-420	EA	1

STRUCTURE DATA

SIGN STR	ACTUAL SIGN AREA	ACTUAL SIGN DEPTH	DMS WEIGHT	STANDARD DESIGN TRUSS TYPE II
S-67-420	193 SF	7'-10"	3,300 LB.	

[Signature]
SDR
04/04/24



NO.	DATE	REVISION	BY

DAAR ENGINEERING, INC.
www.daarcorp.com
414-225-9817
414-225-9817

STATE OF WISCONSIN
DEPARTMENT OF TRANSPORTATION
ACCEPTED
CHIEF STRUCTURES REGION ENGINEER
DATE

STRUCTURE S-67-420

WALKESHA COUNTY
WALKESHA COUNTY
DESIGN SPEC. NO. 1060-47-70
DESIGNED BY: MC
DRAWN BY: MC
CHECKED BY: MC
PLANS DATE: 10/10/10

GENERAL NOTES & DESIGN DATA
SHEET 1 OF 10
773K

DESIGN CONSULTANT
TOM ROMENESKO, PE
(608) 896-1370

BRIDGE OFFICE CONTACT
AARON BONK, PE
(608) 281-0281

PILOT BY: TOM WAGAN
PILOT DATE: 4/7/2024 3:40:59 PM
PROJECT SCALE: 1:1



Proposal Schedule of Items

Proposal ID: 20240409007 Project(s): 1060-10-71, 1060-47-70, 1330-47-71, 2788-03-70

Federal ID(s): N/A, N/A, N/A, N/A

SECTION: 0001 Contract Items

Alt Set ID: Alt Mbr ID:

Proposal Line Number	Item ID Description	Approximate Quantity and Units	Unit Price	Bid Amount
0002	201.0105 Clearing	9.000 STA	_____.	_____.
0004	201.0120 Clearing	50.000 ID	_____.	_____.
0006	201.0205 Grubbing	9.000 STA	_____.	_____.
0008	201.0220 Grubbing	50.000 ID	_____.	_____.
0010	203.0100 Removing Small Pipe Culverts	6.000 EACH	_____.	_____.
0012	203.0220 Removing Structure (structure) 001. C-67-25	1.000 EACH	_____.	_____.
0014	203.0220 Removing Structure (structure) 002. C-67-865	1.000 EACH	_____.	_____.
0016	203.0220 Removing Structure (structure) 003. R-67-49	1.000 EACH	_____.	_____.
0018	203.0220 Removing Structure (structure) 004. B-67-245	1.000 EACH	_____.	_____.
0020	204.0100 Removing Concrete Pavement	945.000 SY	_____.	_____.
0022	204.0109.S Removing Concrete Surface Partial Depth	101,248.000 SF	_____.	_____.
0024	204.0110 Removing Asphaltic Surface	10,165.000 SY	_____.	_____.
0026	204.0115 Removing Asphaltic Surface Butt Joints	4,783.000 SY	_____.	_____.
0028	204.0120 Removing Asphaltic Surface Milling	492,497.000 SY	_____.	_____.
0030	204.0126.S Removing Asphaltic Longitudinal Notched Wedge Joint Milling	70,112.000 LF	_____.	_____.



Proposal Schedule of Items

Proposal ID: 20240409007 Project(s): 1060-10-71, 1060-47-70, 1330-47-71, 2788-03-70

Federal ID(s): N/A, N/A, N/A, N/A

SECTION: 0001 Contract Items

Alt Set ID: Alt Mbr ID:

Proposal Line Number	Item ID Description	Approximate Quantity and Units	Unit Price	Bid Amount
0032	204.0130 Removing Curb	384.000 LF	_____.	_____.
0034	204.0150 Removing Curb & Gutter	2,992.000 LF	_____.	_____.
0036	204.0155 Removing Concrete Sidewalk	337.000 SY	_____.	_____.
0038	204.0157 Removing Concrete Barrier	970.000 LF	_____.	_____.
0040	204.0165 Removing Guardrail	12,690.000 LF	_____.	_____.
0042	204.0170 Removing Fence	2,504.000 LF	_____.	_____.
0044	204.0195 Removing Concrete Bases	56.000 EACH	_____.	_____.
0046	204.0210 Removing Manholes	1.000 EACH	_____.	_____.
0048	204.0220 Removing Inlets	7.000 EACH	_____.	_____.
0050	204.0245 Removing Storm Sewer (size) 001. 12-Inch	39.000 LF	_____.	_____.
0052	204.0245 Removing Storm Sewer (size) 002. 24-Inch	32.000 LF	_____.	_____.
0054	204.0246 Removing Ancillary Structure (structure) 001. S-67-215	1.000 EACH	_____.	_____.
0056	204.0246 Removing Ancillary Structure (structure) 002. S-67-216	1.000 EACH	_____.	_____.
0058	204.0270 Abandoning Culvert Pipes	4.000 EACH	_____.	_____.
0060	204.9060.S Removing (item description) 001. Crash Cushion	2.000 EACH	_____.	_____.



Proposal Schedule of Items

Proposal ID: 20240409007 Project(s): 1060-10-71, 1060-47-70, 1330-47-71, 2788-03-70

Federal ID(s): N/A, N/A, N/A, N/A

SECTION: 0001 Contract Items

Alt Set ID: Alt Mbr ID:

Proposal Line Number	Item ID Description	Approximate Quantity and Units	Unit Price	Bid Amount
0062	204.9060.S Removing (item description) 002. Bicycle Rack	1.000 EACH	_____.	_____.
0064	204.9060.S Removing (item description) 003. Existing Ramp Gate Assembly	1.000 EACH	_____.	_____.
0066	204.9060.S Removing (item description) 021. Traffic Signals IH 94 EB Ramps & CTH SS	1.000 EACH	_____.	_____.
0068	204.9060.S Removing (item description) 041. Removing Traffic Signals STH 318 & Silvernail Rd.	1.000 EACH	_____.	_____.
0070	204.9060.S Removing (item description) 042. Removing Loop Detector Wire & Lead-in Cable STH 318 & Silvernail Rd.	1.000 EACH	_____.	_____.
0072	204.9060.S Removing (item description) 051. Traffic Signals IH 94 EB Ramps & STH 318	1.000 EACH	_____.	_____.
0074	204.9060.S Removing (item description) 052. Loop Detector Wire and Lead In Cable IH 94 EB Ramps & STH 318	1.000 EACH	_____.	_____.
0076	204.9060.S Removing (item description) 061. Traffic Signals IH 94 WB Ramps & STH 318	1.000 EACH	_____.	_____.
0078	204.9060.S Removing (item description) 062. Loop Detector Wire and Lead In Cable IH 94 WB Ramps & STH 318	1.000 EACH	_____.	_____.
0080	204.9060.S Removing (item description) 071. Traffic Signals IH 94 EB Ramps & CTH T	1.000 EACH	_____.	_____.
0082	204.9060.S Removing (item description) 072. Loop Detector Wire and Lead In Cable IH 94 EB Ramps & CTH T	1.000 EACH	_____.	_____.
0084	204.9060.S Removing (item description) 081. Traffic Signals IH 94 WB Ramps & CTH T	1.000 EACH	_____.	_____.



Proposal Schedule of Items

Proposal ID: 20240409007 Project(s): 1060-10-71, 1060-47-70, 1330-47-71, 2788-03-70

Federal ID(s): N/A, N/A, N/A, N/A

SECTION: 0001 Contract Items

Alt Set ID: Alt Mbr ID:

Proposal Line Number	Item ID Description	Approximate Quantity and Units	Unit Price	Bid Amount
0086	204.9060.S Removing (item description) 082. Loop Detector Wire and Lead In Cable IH 94 WB Ramps & CTH T	1.000 EACH	_____.	_____.
0088	204.9060.S Removing (item description) 401. Lighting Units	5.000 EACH	_____.	_____.
0090	204.9060.S Removing (item description) 402. Luminaires	12.000 EACH	_____.	_____.
0092	204.9090.S Removing (item description) 001. Cable Barrier	2,348.000 LF	_____.	_____.
0094	205.0100 Excavation Common	2,960.000 CY	_____.	_____.
0096	206.1001 Excavation for Structures Bridges (structure) 001. B-67-245	1.000 EACH	_____.	_____.
0098	206.2001 Excavation for Structures Culverts (structure) 001. C-67-25	1.000 EACH	_____.	_____.
0100	208.0100 Borrow	2,469.000 CY	_____.	_____.
0102	209.1100 Backfill Granular Grade 1	656.000 CY	_____.	_____.
0104	210.1500 Backfill Structure Type A	464.000 TON	_____.	_____.
0106	210.2500 Backfill Structure Type B	38.000 TON	_____.	_____.
0108	211.0101 Prepare Foundation for Asphaltic Paving (project) 001. 1060-47-70	0.880 EACH	_____.	_____.
0110	211.0101 Prepare Foundation for Asphaltic Paving (project) 002. 1330-47-71	0.010 EACH	_____.	_____.
0112	211.0101 Prepare Foundation for Asphaltic Paving (project) 003. 2788-03-70	0.020 EACH	_____.	_____.



Proposal Schedule of Items

Proposal ID: 20240409007 Project(s): 1060-10-71, 1060-47-70, 1330-47-71, 2788-03-70

Federal ID(s): N/A, N/A, N/A, N/A

SECTION: 0001 Contract Items

Alt Set ID: Alt Mbr ID:

Proposal Line Number	Item ID Description	Approximate Quantity and Units	Unit Price	Bid Amount
0114	211.0101 Prepare Foundation for Asphaltic Paving (project) 004. 1060-10-71	0.090 EACH	_____.	_____.
0116	213.0100 Finishing Roadway (project) 001. 1060-47-70	1.000 EACH	_____.	_____.
0118	213.0100 Finishing Roadway (project) 002. 1330-47-71	1.000 EACH	_____.	_____.
0120	213.0100 Finishing Roadway (project) 003. 2788-03-70	1.000 EACH	_____.	_____.
0122	213.0100 Finishing Roadway (project) 004. 1060-10-71	1.000 EACH	_____.	_____.
0124	305.0110 Base Aggregate Dense 3/4-Inch	2,683.000 TON	_____.	_____.
0126	305.0120 Base Aggregate Dense 1 1/4-Inch	1,631.000 TON	_____.	_____.
0128	390.0100 Removing Pavement for Base Patching	4,162.000 CY	_____.	_____.
0130	390.0405 Base Patching Concrete SHES	4,162.000 CY	_____.	_____.
0132	415.0070 Concrete Pavement 7-Inch	100.000 SY	_____.	_____.
0134	415.0080 Concrete Pavement 8-Inch	107.000 SY	_____.	_____.
0136	415.0090 Concrete Pavement 9-Inch	371.000 SY	_____.	_____.
0138	415.0410 Concrete Pavement Approach Slab	507.000 SY	_____.	_____.
0140	416.0610 Drilled Tie Bars	669.000 EACH	_____.	_____.
0142	416.0620 Drilled Dowel Bars	21,530.000 EACH	_____.	_____.



Proposal Schedule of Items

Proposal ID: 20240409007 Project(s): 1060-10-71, 1060-47-70, 1330-47-71, 2788-03-70

Federal ID(s): N/A, N/A, N/A, N/A

SECTION: 0001 Contract Items

Alt Set ID: Alt Mbr ID:

Proposal Line Number	Item ID Description	Approximate Quantity and Units	Unit Price	Bid Amount
0144	416.1710 Concrete Pavement Repair	92.000 SY	_____.	_____.
0146	416.1715 Concrete Pavement Repair SHES	824.000 SY	_____.	_____.
0148	416.1720 Concrete Pavement Replacement	430.000 SY	_____.	_____.
0150	416.1725 Concrete Pavement Replacement SHES	589.000 SY	_____.	_____.
0152	455.0605 Tack Coat	45,917.000 GAL	_____.	_____.
0154	460.0105.S HMA Percent Within Limits (PWL) Test Strip Volumetrics	1.000 EACH	_____.	_____.
0156	460.0110.S HMA Percent Within Limits (PWL) Test Strip Density	2.000 EACH	_____.	_____.
0158	460.0115.S HMA Pavement Test Strip Volumetrics	1.000 EACH	_____.	_____.
0160	460.0120.S HMA Pavement Test Strip Density	3.000 EACH	_____.	_____.
0162	460.2000 Incentive Density HMA Pavement	35,576.000 DOL	1.00000	35,576.00
0164	460.2005 Incentive Density PWL HMA Pavement	34,580.000 DOL	1.00000	34,580.00
0166	460.2007 Incentive Density HMA Pavement Longitudinal Joints	17,800.000 DOL	1.00000	17,800.00
0168	460.2010 Incentive Air Voids HMA Pavement	34,580.000 DOL	1.00000	34,580.00
0170	460.6224 HMA Pavement 4 MT 58-28 S	6,613.000 TON	_____.	_____.
0172	460.7423 HMA Pavement 3 HT 58-28 H	34,577.000 TON	_____.	_____.



Proposal Schedule of Items

Proposal ID: 20240409007 Project(s): 1060-10-71, 1060-47-70, 1330-47-71, 2788-03-70

Federal ID(s): N/A, N/A, N/A, N/A

SECTION: 0001 Contract Items

Alt Set ID: Alt Mbr ID:

Proposal Line Number	Item ID Description	Approximate Quantity and Units	Unit Price	Bid Amount
0174	460.8624 HMA Pavement 4 SMA 58-28 V	49,422.000 TON	_____.	_____.
0176	460.9000.S Material Transfer Vehicle 001. 1060-47-70	1.000 EACH	_____.	_____.
0178	465.0105 Asphaltic Surface	709.000 TON	_____.	_____.
0180	465.0115 Asphaltic Surface Detours	585.000 TON	_____.	_____.
0182	465.0125 Asphaltic Surface Temporary	2,208.000 TON	_____.	_____.
0184	465.0305 Asphaltic Surface Safety Islands	109.000 TON	_____.	_____.
0186	465.0310 Asphaltic Curb	160.000 LF	_____.	_____.
0188	465.0315 Asphaltic Flumes	11.000 SY	_____.	_____.
0190	465.0510 Asphaltic Rumble Strips, Shoulder Divided Roadway	124,424.000 LF	_____.	_____.
0192	502.0100 Concrete Masonry Bridges	201.000 CY	_____.	_____.
0194	502.3200 Protective Surface Treatment	156.000 SY	_____.	_____.
0196	502.3205 Pigmented Surface Sealer Reseal	473.000 SY	_____.	_____.
0198	502.4204 Adhesive Anchors No. 4 Bar	298.000 EACH	_____.	_____.
0200	504.0100 Concrete Masonry Culverts	6.100 CY	_____.	_____.
0202	505.0600 Bar Steel Reinforcement HS Coated Structures	19,905.000 LB	_____.	_____.



Proposal Schedule of Items

Proposal ID: 20240409007 Project(s): 1060-10-71, 1060-47-70, 1330-47-71, 2788-03-70

Federal ID(s): N/A, N/A, N/A, N/A

SECTION: 0001 Contract Items

Alt Set ID: Alt Mbr ID:

Proposal Line Number	Item ID Description	Approximate Quantity and Units	Unit Price	Bid Amount
0204	505.0904 Bar Couplers No. 4	4.000 EACH	_____.	_____.
0206	505.0905 Bar Couplers No. 5	36.000 EACH	_____.	_____.
0208	505.0906 Bar Couplers No. 6	10.000 EACH	_____.	_____.
0210	506.2610 Bearing Pads Elastomeric Laminated	8.000 EACH	_____.	_____.
0212	506.7050.S Removing Bearings (structure) 001. B-67-245	8.000 EACH	_____.	_____.
0214	509.0301 Preparation Decks Type 1	9.000 SY	_____.	_____.
0216	509.0302 Preparation Decks Type 2	2.500 SY	_____.	_____.
0218	509.0310.S Sawing Pavement Deck Preparation Areas	111.000 LF	_____.	_____.
0220	509.1500 Concrete Surface Repair	118.000 SF	_____.	_____.
0222	509.2100.S Concrete Masonry Deck Repair	1.100 CY	_____.	_____.
0224	509.9050.S Cleaning Parapets	1,201.000 LF	_____.	_____.
0226	511.1200 Temporary Shoring (structure) 001. C-67-25	50.000 SF	_____.	_____.
0228	511.1200 Temporary Shoring (structure) 002. R-67-159	1,000.000 SF	_____.	_____.
0230	511.1200 Temporary Shoring (structure) 003. B-67-245	800.000 SF	_____.	_____.
0232	516.0500 Rubberized Membrane Waterproofing	88.000 SY	_____.	_____.



Proposal Schedule of Items

Proposal ID: 20240409007 Project(s): 1060-10-71, 1060-47-70, 1330-47-71, 2788-03-70

Federal ID(s): N/A, N/A, N/A, N/A

SECTION: 0001 Contract Items

Alt Set ID: Alt Mbr ID:

Proposal Line Number	Item ID Description	Approximate Quantity and Units	Unit Price	Bid Amount
0234	520.8000 Concrete Collars for Pipe	11.000 EACH	_____.	_____.
0236	520.9700.S Culvert Pipe Liners (size) 001. 18-Inch	236.000 LF	_____.	_____.
0238	520.9750.S Cleaning Culvert Pipes for Liner Verification	3.000 EACH	_____.	_____.
0240	521.1012 Apron Endwalls for Culvert Pipe Steel 12-Inch	4.000 EACH	_____.	_____.
0242	521.1018 Apron Endwalls for Culvert Pipe Steel 18-Inch	1.000 EACH	_____.	_____.
0244	521.3118 Culvert Pipe Corrugated Steel 18-Inch	40.000 LF	_____.	_____.
0246	522.0412 Culvert Pipe Reinforced Concrete Class IV 12-Inch	96.000 LF	_____.	_____.
0248	522.0418 Culvert Pipe Reinforced Concrete Class IV 18-Inch	371.000 LF	_____.	_____.
0250	522.0424 Culvert Pipe Reinforced Concrete Class IV 24-Inch	8.000 LF	_____.	_____.
0252	522.1012 Apron Endwalls for Culvert Pipe Reinforced Concrete 12-Inch	2.000 EACH	_____.	_____.
0254	522.1018 Apron Endwalls for Culvert Pipe Reinforced Concrete 18-Inch	3.000 EACH	_____.	_____.
0256	522.2419 Culvert Pipe Reinforced Concrete Horizontal Elliptical Class HE-IV 19x30-Inch	75.000 LF	_____.	_____.
0258	522.2619 Apron Endwalls for Culvert Pipe Reinforced Concrete Horizontal Elliptical 19x30-Inch	2.000 EACH	_____.	_____.



Proposal Schedule of Items

Proposal ID: 20240409007 Project(s): 1060-10-71, 1060-47-70, 1330-47-71, 2788-03-70

Federal ID(s): N/A, N/A, N/A, N/A

SECTION: 0001 Contract Items

Alt Set ID: Alt Mbr ID:

Proposal Line Number	Item ID Description	Approximate Quantity and Units	Unit Price	Bid Amount
0260	524.0624 Apron Endwalls for Culvert Pipe Salvaged 24-Inch	1.000 EACH	_____.	_____.
0262	530.0112 Culvert Pipe Corrugated Polyethylene 12-Inch	131.000 LF	_____.	_____.
0264	531.1100 Concrete Masonry Ancillary Structures Type NS	36.000 CY	_____.	_____.
0266	531.1140 Steel Reinforcement HS Ancillary Structures Type NS	4,968.000 LB	_____.	_____.
0268	531.2020 Drilling Shaft 20-Inch	7.000 LF	_____.	_____.
0270	531.2024 Drilling Shaft 24-Inch	304.000 LF	_____.	_____.
0272	531.2036 Drilling Shaft 36-Inch	118.000 LF	_____.	_____.
0274	531.4030 Foundation Camera Pole 30-FT	1.000 EACH	_____.	_____.
0276	531.4050 Foundation Camera Pole 50-FT	3.000 EACH	_____.	_____.
0278	531.6120 Foundation Two-Shaft Type FF-II (structure) 001. S-67-420	1.000 EACH	_____.	_____.
0280	532.6120 Truss Full Span 4-Chord Type II (structure) 001. S-67-420	2.000 EACH	_____.	_____.
0282	601.0115 Concrete Curb Type G	218.000 LF	_____.	_____.
0284	601.0411 Concrete Curb & Gutter 30-Inch Type D	768.000 LF	_____.	_____.
0286	601.0413 Concrete Curb & Gutter 6-Inch Sloped 30-Inch Type G	2,254.000 LF	_____.	_____.



Proposal Schedule of Items

Proposal ID: 20240409007 Project(s): 1060-10-71, 1060-47-70, 1330-47-71, 2788-03-70

Federal ID(s): N/A, N/A, N/A, N/A

SECTION: 0001 Contract Items

Alt Set ID: Alt Mbr ID:

Proposal Line Number	Item ID Description	Approximate Quantity and Units	Unit Price	Bid Amount
0288	601.0588 Concrete Curb & Gutter 4-Inch Sloped 36-Inch Type TBT	168.000 LF	_____.	_____.
0290	601.0590 Concrete Curb & Gutter 4-Inch Sloped 36-Inch Type TBT	334.000 LF	_____.	_____.
0292	601.0600 Concrete Curb Pedestrian	23.000 LF	_____.	_____.
0294	602.0405 Concrete Sidewalk 4-Inch	1,272.000 SF	_____.	_____.
0296	602.0410 Concrete Sidewalk 5-Inch	3,736.000 SF	_____.	_____.
0298	602.0505 Curb Ramp Detectable Warning Field Yellow	140.000 SF	_____.	_____.
0300	602.0605 Curb Ramp Detectable Warning Field Radial Yellow	95.000 SF	_____.	_____.
0302	602.3010 Concrete Surface Drains	3.000 CY	_____.	_____.
0304	603.0105 Concrete Barrier Single-Faced 32-Inch	40.000 LF	_____.	_____.
0306	603.1132 Concrete Barrier Type S32	10.000 LF	_____.	_____.
0308	603.1142 Concrete Barrier Type S42	10.000 LF	_____.	_____.
0310	603.3211 Concrete Barrier Transition Type F32SF to S32	1.000 EACH	_____.	_____.
0312	603.3475 Concrete Barrier Transition Type F51DF to S42	1.000 EACH	_____.	_____.
0314	603.8000 Concrete Barrier Temporary Precast Delivered	6,390.000 LF	_____.	_____.



Proposal Schedule of Items

Proposal ID: 20240409007 Project(s): 1060-10-71, 1060-47-70, 1330-47-71, 2788-03-70

Federal ID(s): N/A, N/A, N/A, N/A

SECTION: 0001 Contract Items

Alt Set ID: Alt Mbr ID:

Proposal Line Number	Item ID Description	Approximate Quantity and Units	Unit Price	Bid Amount
0316	603.8125 Concrete Barrier Temporary Precast Installed	6,493.000 LF	_____.	_____.
0318	604.0400 Slope Paving Concrete	11.000 SY	_____.	_____.
0320	604.0500 Slope Paving Crushed Aggregate	672.000 SY	_____.	_____.
0322	606.0100 Riprap Light	4.000 CY	_____.	_____.
0324	606.0200 Riprap Medium	57.000 CY	_____.	_____.
0326	606.0300 Riprap Heavy	28.000 CY	_____.	_____.
0328	608.0312 Storm Sewer Pipe Reinforced Concrete Class III 12-Inch	46.000 LF	_____.	_____.
0330	608.0324 Storm Sewer Pipe Reinforced Concrete Class III 24-Inch	32.000 LF	_____.	_____.
0332	611.0430 Reconstructing Inlets	16.000 EACH	_____.	_____.
0334	611.0530 Manhole Covers Type J	6.000 EACH	_____.	_____.
0336	611.0624 Inlet Covers Type H	4.000 EACH	_____.	_____.
0338	611.0654 Inlet Covers Type V	25.000 EACH	_____.	_____.
0340	611.2005 Manholes 5-FT Diameter	1.000 EACH	_____.	_____.
0342	611.3004 Inlets 4-FT Diameter	1.000 EACH	_____.	_____.
0344	611.3225 Inlets 2x2.5-FT	6.000 EACH	_____.	_____.



Proposal Schedule of Items

Proposal ID: 20240409007 Project(s): 1060-10-71, 1060-47-70, 1330-47-71, 2788-03-70

Federal ID(s): N/A, N/A, N/A, N/A

SECTION: 0001 Contract Items

Alt Set ID: Alt Mbr ID:

Proposal Line Number	Item ID Description	Approximate Quantity and Units	Unit Price	Bid Amount
0346	611.3230 Inlets 2x3-FT	2.000 EACH	_____.	_____.
0348	611.8110 Adjusting Manhole Covers	6.000 EACH	_____.	_____.
0350	611.8115 Adjusting Inlet Covers	9.000 EACH	_____.	_____.
0352	611.9710 Salvaged Inlet Covers	3.000 EACH	_____.	_____.
0354	612.0106 Pipe Underdrain 6-Inch	70.000 LF	_____.	_____.
0356	612.0406 Pipe Underdrain Wrapped 6-Inch	235.000 LF	_____.	_____.
0358	612.0700 Drain Tile Exploration	70.000 LF	_____.	_____.
0360	612.0806 Apron Endwalls for Underdrain Reinforced Concrete 6-Inch	2.000 EACH	_____.	_____.
0362	613.1100.S Cable Barrier Type 1	2,183.000 LF	_____.	_____.
0364	613.1200.S Cable Barrier End Terminal Type 1	3.000 EACH	_____.	_____.
0366	614.0010 Barrier System Grading Shaping Finishing	15.000 EACH	_____.	_____.
0368	614.0150 Anchor Assemblies for Steel Plate Beam Guard	2.000 EACH	_____.	_____.
0370	614.0230 Steel Thrie Beam	13.000 LF	_____.	_____.
0372	614.0396 Guardrail Mow Strip Asphalt	190.000 SY	_____.	_____.
0374	614.0397 Guardrail Mow Strip Emulsified Asphalt	5,499.000 SY	_____.	_____.



Proposal Schedule of Items

Proposal ID: 20240409007 Project(s): 1060-10-71, 1060-47-70, 1330-47-71, 2788-03-70

Federal ID(s): N/A, N/A, N/A, N/A

SECTION: 0001 Contract Items

Alt Set ID: Alt Mbr ID:

Proposal Line Number	Item ID Description	Approximate Quantity and Units	Unit Price	Bid Amount
0376	614.0400 Adjusting Steel Plate Beam Guard	378.000 LF	_____.	_____.
0378	614.0800 Crash Cushions Permanent	1.000 EACH	_____.	_____.
0380	614.0805 Crash Cushions Permanent Low Maintenance	1.000 EACH	_____.	_____.
0382	614.0905 Crash Cushions Temporary	15.000 EACH	_____.	_____.
0384	614.0920 Salvaged Rail	478.000 LF	_____.	_____.
0386	614.0950 Replacing Guardrail Posts and Blocks	75.000 EACH	_____.	_____.
0388	614.0951 Replacing Guardrail Rail and Hardware	49.000 LF	_____.	_____.
0390	614.0952 Replacing Guardrail Reflectors	2.000 EACH	_____.	_____.
0392	614.2300 MGS Guardrail 3	11,151.000 LF	_____.	_____.
0394	614.2330 MGS Guardrail 3 K	275.000 LF	_____.	_____.
0396	614.2350 MGS Guardrail Short Radius	33.000 LF	_____.	_____.
0398	614.2500 MGS Thrie Beam Transition	674.000 LF	_____.	_____.
0400	614.2610 MGS Guardrail Terminal EAT	26.000 EACH	_____.	_____.
0402	614.2620 MGS Guardrail Terminal Type 2	15.000 EACH	_____.	_____.
0404	616.0100 Fence Woven Wire (height) 001. 4-FT	2,262.000 LF	_____.	_____.
0406	616.0206 Fence Chain Link 6-FT	242.000 LF	_____.	_____.



Proposal Schedule of Items

Proposal ID: 20240409007 Project(s): 1060-10-71, 1060-47-70, 1330-47-71, 2788-03-70

Federal ID(s): N/A, N/A, N/A, N/A

SECTION: 0001 Contract Items

Alt Set ID: Alt Mbr ID:

Proposal Line Number	Item ID Description	Approximate Quantity and Units	Unit Price	Bid Amount
0408	616.0700.S Fence Safety	2,470.000 LF	_____.	_____.
0410	618.0100 Maintenance and Repair of Haul Roads (project) 001. 1060-10-71	1.000 EACH	_____.	_____.
0412	619.1000 Mobilization	1.000 EACH	_____.	_____.
0414	620.0300 Concrete Median Sloped Nose	67.000 SF	_____.	_____.
0416	624.0100 Water	849.000 MGAL	_____.	_____.
0418	625.0100 Topsoil	2,989.000 SY	_____.	_____.
0420	625.0500 Salvaged Topsoil	11,571.000 SY	_____.	_____.
0422	627.0200 Mulching	100.000 SY	_____.	_____.
0424	628.1504 Silt Fence	10,359.000 LF	_____.	_____.
0426	628.1520 Silt Fence Maintenance	10,359.000 LF	_____.	_____.
0428	628.1905 Mobilizations Erosion Control	15.000 EACH	_____.	_____.
0430	628.1910 Mobilizations Emergency Erosion Control	15.000 EACH	_____.	_____.
0432	628.2002 Erosion Mat Class I Type A	492.000 SY	_____.	_____.
0434	628.2004 Erosion Mat Class I Type B	10,875.000 SY	_____.	_____.
0436	628.2006 Erosion Mat Urban Class I Type A	665.000 SY	_____.	_____.
0438	628.7005 Inlet Protection Type A	14.000 EACH	_____.	_____.



Proposal Schedule of Items

Proposal ID: 20240409007 Project(s): 1060-10-71, 1060-47-70, 1330-47-71, 2788-03-70

Federal ID(s): N/A, N/A, N/A, N/A

SECTION: 0001 Contract Items

Alt Set ID: Alt Mbr ID:

Proposal Line Number	Item ID Description	Approximate Quantity and Units	Unit Price	Bid Amount
0440	628.7010 Inlet Protection Type B	119.000 EACH	_____.	_____.
0442	628.7015 Inlet Protection Type C	66.000 EACH	_____.	_____.
0444	628.7504 Temporary Ditch Checks	80.000 LF	_____.	_____.
0446	628.7555 Culvert Pipe Checks	11.000 EACH	_____.	_____.
0448	628.7560 Tracking Pads	2.000 EACH	_____.	_____.
0450	628.7570 Rock Bags	10.000 EACH	_____.	_____.
0452	629.0205 Fertilizer Type A	4.000 CWT	_____.	_____.
0454	629.0210 Fertilizer Type B	102.500 CWT	_____.	_____.
0456	630.0120 Seeding Mixture No. 20	14.000 LB	_____.	_____.
0458	630.0130 Seeding Mixture No. 30	50.000 LB	_____.	_____.
0460	630.0140 Seeding Mixture No. 40	10.000 LB	_____.	_____.
0462	630.0200 Seeding Temporary	69.000 LB	_____.	_____.
0464	630.0500 Seed Water	286.000 MGAL	_____.	_____.
0466	631.0300 Sod Water	74.000 MGAL	_____.	_____.
0468	631.1000 Sod Lawn	2,708.000 SY	_____.	_____.
0470	631.1100 Sod Erosion Control	5.000 SY	_____.	_____.



Proposal Schedule of Items

Proposal ID: 20240409007 Project(s): 1060-10-71, 1060-47-70, 1330-47-71, 2788-03-70

Federal ID(s): N/A, N/A, N/A, N/A

SECTION: 0001 Contract Items

Alt Set ID: Alt Mbr ID:

Proposal Line Number	Item ID Description	Approximate Quantity and Units	Unit Price	Bid Amount
0472	633.5200 Markers Culvert End	65.000 EACH	_____.	_____.
0474	634.0618 Posts Wood 4x6-Inch X 18-FT	288.000 EACH	_____.	_____.
0476	634.0622 Posts Wood 4x6-Inch X 22-FT	7.000 EACH	_____.	_____.
0478	634.0814 Posts Tubular Steel 2x2-Inch X 14-FT	25.000 EACH	_____.	_____.
0480	634.0816 Posts Tubular Steel 2x2-Inch X 16-FT	2.000 EACH	_____.	_____.
0482	634.0885 Posts Tubular Steel 2x2-Inch X 8.5-FT	12.000 EACH	_____.	_____.
0484	635.0200 Sign Supports Structural Steel HS	20,900.000 LB	_____.	_____.
0486	637.1220 Signs Type I Reflective SH	3,074.000 SF	_____.	_____.
0488	637.1230 Signs Type I Reflective F	90.000 SF	_____.	_____.
0490	637.2210 Signs Type II Reflective H	2,718.705 SF	_____.	_____.
0492	637.2215 Signs Type II Reflective H Folding	585.380 SF	_____.	_____.
0494	637.2230 Signs Type II Reflective F	228.000 SF	_____.	_____.
0496	638.2101 Moving Signs Type I	2.000 EACH	_____.	_____.
0498	638.2102 Moving Signs Type II	18.000 EACH	_____.	_____.
0500	638.2601 Removing Signs Type I	25.000 EACH	_____.	_____.
0502	638.2602 Removing Signs Type II	374.000 EACH	_____.	_____.



Proposal Schedule of Items

Proposal ID: 20240409007 Project(s): 1060-10-71, 1060-47-70, 1330-47-71, 2788-03-70

Federal ID(s): N/A, N/A, N/A, N/A

SECTION: 0001 Contract Items

Alt Set ID: Alt Mbr ID:

Proposal Line Number	Item ID Description	Approximate Quantity and Units	Unit Price	Bid Amount
0504	638.3000 Removing Small Sign Supports	272.000 EACH	_____.	_____.
0506	638.3100 Removing Structural Steel Sign Supports	36.000 EACH	_____.	_____.
0508	643.0300 Traffic Control Drums	141,812.000 DAY	_____.	_____.
0510	643.0420 Traffic Control Barricades Type III	9,817.000 DAY	_____.	_____.
0512	643.0500 Traffic Control Flexible Tubular Marker Posts	35.000 EACH	_____.	_____.
0514	643.0600 Traffic Control Flexible Tubular Marker Bases	35.000 EACH	_____.	_____.
0516	643.0705 Traffic Control Warning Lights Type A	18,199.000 DAY	_____.	_____.
0518	643.0715 Traffic Control Warning Lights Type C	15,870.000 DAY	_____.	_____.
0520	643.0800 Traffic Control Arrow Boards	1,707.000 DAY	_____.	_____.
0522	643.0900 Traffic Control Signs	39,448.000 DAY	_____.	_____.
0524	643.0910 Traffic Control Covering Signs Type I	4.000 EACH	_____.	_____.
0526	643.0920 Traffic Control Covering Signs Type II	19.000 EACH	_____.	_____.
0528	643.1000 Traffic Control Signs Fixed Message	378.000 SF	_____.	_____.
0530	643.1050 Traffic Control Signs PCMS	675.000 DAY	_____.	_____.
0532	643.1070 Traffic Control Cones 42-Inch	8,544.000 DAY	_____.	_____.
0534	643.1500 Traffic Control Speed Radar Trailer	260.000 DAY	_____.	_____.



Proposal Schedule of Items

Proposal ID: 20240409007 Project(s): 1060-10-71, 1060-47-70, 1330-47-71, 2788-03-70

Federal ID(s): N/A, N/A, N/A, N/A

SECTION: 0001 Contract Items

Alt Set ID: Alt Mbr ID:

Proposal Line Number	Item ID Description	Approximate Quantity and Units	Unit Price	Bid Amount
0536	643.3105 Temporary Marking Line Paint 4-Inch	1,246.000 LF	_____.	_____.
0538	643.3150 Temporary Marking Line Removable Tape 4-Inch	27,942.000 LF	_____.	_____.
0540	643.3165 Temporary Marking Line Paint 6-Inch	304,294.000 LF	_____.	_____.
0542	643.3180 Temporary Marking Line Removable Tape 6-Inch	2,340.000 LF	_____.	_____.
0544	643.3250 Temporary Marking Line Removable Tape 8-Inch	505.000 LF	_____.	_____.
0546	643.3265 Temporary Marking Line Paint 10-Inch	33,703.000 LF	_____.	_____.
0548	643.3760 Temporary Marking Raised Pavement Marker Type I	24.000 EACH	_____.	_____.
0550	643.3770 Temporary Marking Raised Pavement Marker Type II	282.000 EACH	_____.	_____.
0552	643.3850 Temporary Marking Stop Line Removable Tape 18-Inch	150.000 LF	_____.	_____.
0554	643.4100 Traffic Control Interim Lane Closure	291.000 EACH	_____.	_____.
0556	643.5000 Traffic Control	1.000 EACH	_____.	_____.
0558	644.1410 Temporary Pedestrian Surface Asphalt	192.000 SF	_____.	_____.
0560	644.1430 Temporary Pedestrian Surface Plate	208.000 SF	_____.	_____.
0562	644.1601 Temporary Pedestrian Curb Ramp	118.000 DAY	_____.	_____.



Proposal Schedule of Items

Proposal ID: 20240409007 Project(s): 1060-10-71, 1060-47-70, 1330-47-71, 2788-03-70

Federal ID(s): N/A, N/A, N/A, N/A

SECTION: 0001 Contract Items

Alt Set ID: Alt Mbr ID:

Proposal Line Number	Item ID Description	Approximate Quantity and Units	Unit Price	Bid Amount
0564	644.1605 Temporary Pedestrian Detectable Warning Field	70.000 SF	_____.	_____.
0566	644.1810 Temporary Pedestrian Barricade	2,578.000 LF	_____.	_____.
0568	645.0120 Geotextile Type HR	30.000 SY	_____.	_____.
0570	645.0130 Geotextile Type R	19.000 SY	_____.	_____.
0572	646.1020 Marking Line Epoxy 4-Inch	26,497.000 LF	_____.	_____.
0574	646.2020 Marking Line Epoxy 6-Inch	20,283.000 LF	_____.	_____.
0576	646.2025 Marking Line Grooved Black Epoxy 6-Inch	28,347.000 LF	_____.	_____.
0578	646.2040 Marking Line Grooved Wet Ref Epoxy 6-Inch	153,923.000 LF	_____.	_____.
0580	646.2050 Marking Line Grooved Permanent Tape 6-Inch	28,347.000 LF	_____.	_____.
0582	646.3020 Marking Line Epoxy 8-Inch	3,613.000 LF	_____.	_____.
0584	646.4020 Marking Line Epoxy 10-Inch	3,203.000 LF	_____.	_____.
0586	646.4025 Marking Line Grooved Black Epoxy 10-Inch	194.000 LF	_____.	_____.
0588	646.4050 Marking Line Grooved Permanent Tape 10-Inch	16,851.000 LF	_____.	_____.
0590	646.5020 Marking Arrow Epoxy	106.000 EACH	_____.	_____.
0592	646.5120 Marking Word Epoxy	36.000 EACH	_____.	_____.



Proposal Schedule of Items

Proposal ID: 20240409007 Project(s): 1060-10-71, 1060-47-70, 1330-47-71, 2788-03-70

Federal ID(s): N/A, N/A, N/A, N/A

SECTION: 0001 Contract Items

Alt Set ID: Alt Mbr ID:

Proposal Line Number	Item ID Description	Approximate Quantity and Units	Unit Price	Bid Amount
0594	646.5205 Marking Symbol Paint	12.000 EACH	_____.	_____.
0596	646.5220 Marking Symbol Epoxy	13.000 EACH	_____.	_____.
0598	646.5520 Marking Outfall Epoxy	5.000 EACH	_____.	_____.
0600	646.6120 Marking Stop Line Epoxy 18-Inch	984.000 LF	_____.	_____.
0602	646.6220 Marking Yield Line Epoxy 18-Inch	82.000 EACH	_____.	_____.
0604	646.7120 Marking Diagonal Epoxy 12-Inch	2,016.000 LF	_____.	_____.
0606	646.7220 Marking Chevron Epoxy 24-Inch	1,726.000 LF	_____.	_____.
0608	646.7420 Marking Crosswalk Epoxy Transverse Line 6-Inch	409.000 LF	_____.	_____.
0610	646.8020 Marking Corrugated Median Epoxy	72.000 SF	_____.	_____.
0612	646.8120 Marking Curb Epoxy	1,010.000 LF	_____.	_____.
0614	646.8220 Marking Island Nose Epoxy	9.000 EACH	_____.	_____.
0616	646.9000 Marking Removal Line 4-Inch	599.000 LF	_____.	_____.
0618	646.9010 Marking Removal Line Water Blasting 4-Inch	1,976.000 LF	_____.	_____.
0620	646.9055 Marking Removal Line Grooved Contrast Permanent Tape 4-Inch	4,600.000 LF	_____.	_____.
0622	646.9100 Marking Removal Line 8-Inch	280.000 LF	_____.	_____.



Proposal Schedule of Items

Proposal ID: 20240409007 Project(s): 1060-10-71, 1060-47-70, 1330-47-71, 2788-03-70

Federal ID(s): N/A, N/A, N/A, N/A

SECTION: 0001 Contract Items

Alt Set ID: Alt Mbr ID:

Proposal Line Number	Item ID Description	Approximate Quantity and Units	Unit Price	Bid Amount
0624	646.9110 Marking Removal Line Water Blasting 8-Inch	832.000 LF	_____.	_____.
0626	646.9200 Marking Removal Line Wide	55.000 LF	_____.	_____.
0628	646.9210 Marking Removal Line Water Blasting Wide	70.000 LF	_____.	_____.
0630	646.9300 Marking Removal Special Marking	12.000 EACH	_____.	_____.
0632	646.9310 Marking Removal Special Marking Water Blasting	11.000 EACH	_____.	_____.
0634	652.0125 Conduit Rigid Metallic 2-Inch	85.000 LF	_____.	_____.
0636	652.0225 Conduit Rigid Nonmetallic Schedule 40 2-Inch	5,402.000 LF	_____.	_____.
0638	652.0235 Conduit Rigid Nonmetallic Schedule 40 3-Inch	2,048.000 LF	_____.	_____.
0640	652.0240 Conduit Rigid Nonmetallic Schedule 40 4-Inch	24.000 LF	_____.	_____.
0642	652.0605 Conduit Special 2-Inch	800.000 LF	_____.	_____.
0644	652.0615 Conduit Special 3-Inch	3,951.000 LF	_____.	_____.
0646	652.0700.S Install Conduit into Existing Item	12.000 EACH	_____.	_____.
0648	652.0800 Conduit Loop Detector	4,295.000 LF	_____.	_____.
0650	653.0135 Pull Boxes Steel 24x36-Inch	22.000 EACH	_____.	_____.
0652	653.0140 Pull Boxes Steel 24x42-Inch	64.000 EACH	_____.	_____.



Proposal Schedule of Items

Proposal ID: 20240409007 Project(s): 1060-10-71, 1060-47-70, 1330-47-71, 2788-03-70

Federal ID(s): N/A, N/A, N/A, N/A

SECTION: 0001 Contract Items

Alt Set ID: Alt Mbr ID:

Proposal Line Number	Item ID Description	Approximate Quantity and Units	Unit Price	Bid Amount
0654	653.0905 Removing Pull Boxes	96.000 EACH	_____.	_____.
0656	654.0101 Concrete Bases Type 1	13.000 EACH	_____.	_____.
0658	654.0102 Concrete Bases Type 2	5.000 EACH	_____.	_____.
0660	654.0105 Concrete Bases Type 5	2.000 EACH	_____.	_____.
0662	654.0110 Concrete Bases Type 10	3.000 EACH	_____.	_____.
0664	654.0113 Concrete Bases Type 13	5.000 EACH	_____.	_____.
0666	654.0120 Concrete Bases Type 10-Special	10.000 EACH	_____.	_____.
0668	654.0217 Concrete Control Cabinet Bases Type 9 Special	3.000 EACH	_____.	_____.
0670	654.1239 Concrete Control Cabinet Bases ITS	1.000 EACH	_____.	_____.
0672	655.0210 Cable Traffic Signal 3-14 AWG	4,259.000 LF	_____.	_____.
0674	655.0230 Cable Traffic Signal 5-14 AWG	2,713.000 LF	_____.	_____.
0676	655.0240 Cable Traffic Signal 7-14 AWG	4,374.000 LF	_____.	_____.
0678	655.0260 Cable Traffic Signal 12-14 AWG	3,535.000 LF	_____.	_____.
0680	655.0270 Cable Traffic Signal 15-14 AWG	158.000 LF	_____.	_____.
0682	655.0320 Cable Type UF 2-10 AWG Grounded	4,018.000 LF	_____.	_____.
0684	655.0510 Electrical Wire Traffic Signals 12 AWG	432.000 LF	_____.	_____.



Proposal Schedule of Items

Proposal ID: 20240409007 Project(s): 1060-10-71, 1060-47-70, 1330-47-71, 2788-03-70

Federal ID(s): N/A, N/A, N/A, N/A

SECTION: 0001 Contract Items

Alt Set ID: Alt Mbr ID:

Proposal Line Number	Item ID Description	Approximate Quantity and Units	Unit Price	Bid Amount
0686	655.0515 Electrical Wire Traffic Signals 10 AWG	10,975.000 LF	_____.	_____.
0688	655.0610 Electrical Wire Lighting 12 AWG	4,464.000 LF	_____.	_____.
0690	655.0615 Electrical Wire Lighting 10 AWG	280.000 LF	_____.	_____.
0692	655.0620 Electrical Wire Lighting 8 AWG	9,930.000 LF	_____.	_____.
0694	655.0625 Electrical Wire Lighting 6 AWG	10,420.000 LF	_____.	_____.
0696	655.0635 Electrical Wire Lighting 2 AWG	160.000 LF	_____.	_____.
0698	655.0640 Electrical Wire Lighting 1 AWG	18.000 LF	_____.	_____.
0700	655.0700 Loop Detector Lead In Cable	20,435.000 LF	_____.	_____.
0702	655.0800 Loop Detector Wire	12,982.000 LF	_____.	_____.
0704	655.0900 Traffic Signal EVP Detector Cable	4,259.000 LF	_____.	_____.
0706	656.0201 Electrical Service Meter Breaker Pedestal (location) 041. STH 318 & Silvernail Rd.	1.000 EACH	_____.	_____.
0708	656.0201 Electrical Service Meter Breaker Pedestal (location) 051. IH 94 EB Ramps & STH 318	1.000 EACH	_____.	_____.
0710	656.0201 Electrical Service Meter Breaker Pedestal (location) 061. IH 94 WB Ramps & STH 318	1.000 EACH	_____.	_____.
0712	656.0201 Electrical Service Meter Breaker Pedestal (location) 071. IH 94 EB Ramps & CTH T	1.000 EACH	_____.	_____.



Proposal Schedule of Items

Proposal ID: 20240409007 Project(s): 1060-10-71, 1060-47-70, 1330-47-71, 2788-03-70

Federal ID(s): N/A, N/A, N/A, N/A

SECTION: 0001 Contract Items

Alt Set ID: Alt Mbr ID:

Proposal Line Number	Item ID Description	Approximate Quantity and Units	Unit Price	Bid Amount
0714	656.0201 Electrical Service Meter Breaker Pedestal (location) 081. IH 94 WB Ramps & CTH T	1.000 EACH	_____.	_____.
0716	656.0201 Electrical Service Meter Breaker Pedestal (location) 300. MBDMS670040	1.000 EACH	_____.	_____.
0718	656.0201 Electrical Service Meter Breaker Pedestal (location) 301. MBCCTV670244	1.000 EACH	_____.	_____.
0720	656.0501 Electrical Service Breaker Disconnect Box (location) 300. DMS670040	1.000 EACH	_____.	_____.
0722	656.0501 Electrical Service Breaker Disconnect Box (location) 301. CCTV670244	1.000 EACH	_____.	_____.
0724	657.0100 Pedestal Bases	15.000 EACH	_____.	_____.
0726	657.0255 Transformer Bases Breakaway 11 1/2-Inch Bolt Circle	8.000 EACH	_____.	_____.
0728	657.0305 Poles Type 2	3.000 EACH	_____.	_____.
0730	657.0310 Poles Type 3	2.000 EACH	_____.	_____.
0732	657.0420 Traffic Signal Standards Aluminum 13-FT	8.000 EACH	_____.	_____.
0734	657.0425 Traffic Signal Standards Aluminum 15-FT	4.000 EACH	_____.	_____.
0736	657.0430 Traffic Signal Standards Aluminum 10-FT	3.000 EACH	_____.	_____.
0738	657.0609 Luminaire Arms Single Member 4-Inch Clamp 6-FT	2.000 EACH	_____.	_____.
0740	658.0173 Traffic Signal Face 3S 12-Inch	64.000 EACH	_____.	_____.



Proposal Schedule of Items

Proposal ID: 20240409007 Project(s): 1060-10-71, 1060-47-70, 1330-47-71, 2788-03-70

Federal ID(s): N/A, N/A, N/A, N/A

SECTION: 0001 Contract Items

Alt Set ID: Alt Mbr ID:

Proposal Line Number	Item ID Description	Approximate Quantity and Units	Unit Price	Bid Amount
0742	658.0174 Traffic Signal Face 4S 12-Inch	14.000 EACH	_____.	_____.
0744	658.0416 Pedestrian Signal Face 16-Inch	6.000 EACH	_____.	_____.
0746	658.0500 Pedestrian Push Buttons	6.000 EACH	_____.	_____.
0748	658.5070 Signal Mounting Hardware (location) 021. IH 94 EB Ramps & CTH SS	1.000 EACH	_____.	_____.
0750	658.5070 Signal Mounting Hardware (location) 041. STH 318 & Silvernail Rd.	1.000 EACH	_____.	_____.
0752	658.5070 Signal Mounting Hardware (location) 051. IH 94 EB Ramps & STH 318	1.000 EACH	_____.	_____.
0754	658.5070 Signal Mounting Hardware (location) 061. IH 94 WB Ramps & STH 318	1.000 EACH	_____.	_____.
0756	658.5070 Signal Mounting Hardware (location) 071. IH 94 EB Ramps & CTH T	1.000 EACH	_____.	_____.
0758	658.5070 Signal Mounting Hardware (location) 081. IH 94 WB Ramps and CTH T	1.000 EACH	_____.	_____.
0760	659.1125 Luminaires Utility LED C	29.000 EACH	_____.	_____.
0762	659.5000.S Lamp, Ballast, LED, Switch Disposal by Contractor	127.000 EACH	_____.	_____.
0764	661.0201 Temporary Traffic Signals for Intersections (location) 041. STH 318 & Silvernail Rd.	1.000 EACH	_____.	_____.
0766	661.0201 Temporary Traffic Signals for Intersections (location) 051. IH 94 EB Ramps & STH 318	1.000 EACH	_____.	_____.



Proposal Schedule of Items

Proposal ID: 20240409007 Project(s): 1060-10-71, 1060-47-70, 1330-47-71, 2788-03-70

Federal ID(s): N/A, N/A, N/A, N/A

SECTION: 0001 Contract Items

Alt Set ID: Alt Mbr ID:

Proposal Line Number	Item ID Description	Approximate Quantity and Units	Unit Price	Bid Amount
0768	661.0201 Temporary Traffic Signals for Intersections (location) 061. IH 94 WB Ramps & STH 318	1.000 EACH	_____.	_____.
0770	661.0201 Temporary Traffic Signals for Intersections (location) 071. IH 94 EB Ramps & CTH T	1.000 EACH	_____.	_____.
0772	661.0201 Temporary Traffic Signals for Intersections (location) 081. IH 94 WB Ramps & CTH T	1.000 EACH	_____.	_____.
0774	662.1040.S Ramp Closure Gates 40-FT	2.000 EACH	_____.	_____.
0776	662.6020.S Ramp Closure Barricade Rack 2-Unit	2.000 EACH	_____.	_____.
0778	662.6030.S Ramp Closure Barricade Rack 3-Unit	1.000 EACH	_____.	_____.
0780	670.0101 Field System Integrator 071. Traffic Signal Interconnect	1.000 EACH	_____.	_____.
0782	670.0101 Field System Integrator 300. FTMS	1.000 EACH	_____.	_____.
0784	670.0201 ITS Documentation 071. Traffic Signal Interconnect	1.000 EACH	_____.	_____.
0786	670.0201 ITS Documentation 300. FTMS	1.000 EACH	_____.	_____.
0788	673.1200.S Install ITS Field Cabinet	1.000 EACH	_____.	_____.
0790	673.1225.S Install Pole Mounted Cabinet	2.000 EACH	_____.	_____.
0792	674.0300 Remove Cable	130.000 LF	_____.	_____.
0794	674.0400 Reinstall Cable	60.000 LF	_____.	_____.



Proposal Schedule of Items

Proposal ID: 20240409007 Project(s): 1060-10-71, 1060-47-70, 1330-47-71, 2788-03-70

Federal ID(s): N/A, N/A, N/A, N/A

SECTION: 0001 Contract Items

Alt Set ID: Alt Mbr ID:

Proposal Line Number	Item ID Description	Approximate Quantity and Units	Unit Price	Bid Amount
0796	675.0100 Install Controller Ramp Meter Processor Assembly	1.000 EACH	_____.	_____.
0798	675.0300 Install Mounted Controller Microwave Detector Assembly	4.000 EACH	_____.	_____.
0800	677.0130 Install Camera Pole 30-FT	1.000 EACH	_____.	_____.
0802	677.0150 Install Camera Pole 50-FT	3.000 EACH	_____.	_____.
0804	677.0200 Install Camera Assembly	4.000 EACH	_____.	_____.
0806	677.9051.S Removing 50-FT Camera Pole	1.000 EACH	_____.	_____.
0808	677.9200.S Removing CCTV Camera	1.000 EACH	_____.	_____.
0810	678.0006 Install Fiber Optic Cable Outdoor Plant 6-CT	2,630.000 LF	_____.	_____.
0812	678.0100.S Install Overhead Freeway DMS Full Matrix	1.000 EACH	_____.	_____.
0814	678.0200 Fiber Optic Splice Enclosure	3.000 EACH	_____.	_____.
0816	678.0300 Fiber Optic Splice	12.000 EACH	_____.	_____.
0818	678.0400 Fiber Optic Termination	82.000 EACH	_____.	_____.
0820	678.0501 Communication System Testing 071. Traffic Signal Interconnect	1.000 EACH	_____.	_____.
0822	678.0501 Communication System Testing 300. FTMS	1.000 EACH	_____.	_____.
0824	678.0600 Install Ethernet Switches	11.000 EACH	_____.	_____.



Proposal Schedule of Items

Proposal ID: 20240409007 Project(s): 1060-10-71, 1060-47-70, 1330-47-71, 2788-03-70

Federal ID(s): N/A, N/A, N/A, N/A

SECTION: 0001 Contract Items

Alt Set ID: Alt Mbr ID:

Proposal Line Number	Item ID Description	Approximate Quantity and Units	Unit Price	Bid Amount
0826	690.0150 Sawing Asphalt	9,472.000 LF	_____.	_____.
0828	690.0250 Sawing Concrete	49,548.000 LF	_____.	_____.
0830	715.0720 Incentive Compressive Strength Concrete Pavement	500.000 DOL	1.00000	500.00
0832	740.0440 Incentive IRI Ride	58,000.000 DOL	1.00000	58,000.00
0834	999.1950.S Bicycle Rack Asphalt or Concrete-Mounted	2.000 EACH	_____.	_____.
0838	SPV.0045 Special 001. Basic Traffic Queue Warning System	30.000 DAY	_____.	_____.
0840	SPV.0045 Special 002. Digital Speed Reduction System (DSRS)	291.000 DAY	_____.	_____.
0842	SPV.0060 Special 001. Tension Anchor Rods	64.000 EACH	_____.	_____.
0844	SPV.0060 Special 002. Remove Grout Pad	2.000 EACH	_____.	_____.
0846	SPV.0060 Special 003. Remove Debris and Regrade	1.000 EACH	_____.	_____.
0848	SPV.0060 Special 004. Adjust Sign	2.000 EACH	_____.	_____.
0850	SPV.0060 Special 005. U-Bolt	16.000 EACH	_____.	_____.
0852	SPV.0060 Special 006. Remove Catwalk	5.000 EACH	_____.	_____.
0854	SPV.0060 Special 007. Lower Structure	3.000 EACH	_____.	_____.
0856	SPV.0060 Special 008. Re-install Truss/Arm	2.000 EACH	_____.	_____.



Proposal Schedule of Items

Proposal ID: 20240409007 Project(s): 1060-10-71, 1060-47-70, 1330-47-71, 2788-03-70

Federal ID(s): N/A, N/A, N/A, N/A

SECTION: 0001 Contract Items

Alt Set ID: Alt Mbr ID:

Proposal Line Number	Item ID Description	Approximate Quantity and Units	Unit Price	Bid Amount
0858	SPV.0060 Special 009. Vertical Sign Support	1.000 EACH	_____.	_____.
0860	SPV.0060 Special 010. Strapping C-67-1570	2.000 EACH	_____.	_____.
0862	SPV.0060 Special 011. Catwalk Repair	1.000 EACH	_____.	_____.
0864	SPV.0060 Special 012. Replace Conduit Connector	6.000 EACH	_____.	_____.
0866	SPV.0060 Special 050. Survey Project	1.000 EACH	_____.	_____.
0868	SPV.0060 Special 051. Baseline CPM Progress Schedule	1.000 EACH	_____.	_____.
0870	SPV.0060 Special 052. Monthly CPM Progress Schedule Updates	14.000 EACH	_____.	_____.
0872	SPV.0060 Special 053. Traffic Control Close-Open Freeway Entrance Ramp	45.000 EACH	_____.	_____.
0874	SPV.0060 Special 054. Traffic Control Full Freeway Closure	10.000 EACH	_____.	_____.
0876	SPV.0060 Special 055. Mobilization Emergency Pavement Repair	8.000 EACH	_____.	_____.
0878	SPV.0060 Special 056. Field Facilities Office Space	1.000 EACH	_____.	_____.
0880	SPV.0060 Special 057. Utility Line Opening (ULO)	15.000 EACH	_____.	_____.
0882	SPV.0060 Special 058. Section Corner Monuments Special	2.000 EACH	_____.	_____.
0884	SPV.0060 Special 059. Remove and Reset Cable Barrier Post	1.000 EACH	_____.	_____.



Proposal Schedule of Items

Proposal ID: 20240409007 Project(s): 1060-10-71, 1060-47-70, 1330-47-71, 2788-03-70

Federal ID(s): N/A, N/A, N/A, N/A

SECTION: 0001 Contract Items

Alt Set ID: Alt Mbr ID:

Proposal Line Number	Item ID Description	Approximate Quantity and Units	Unit Price	Bid Amount
0886	SPV.0060 Special 060. Curb Ramp Grading and Shaping	9.000 EACH	_____.	_____.
0888	SPV.0060 Special 101. Concrete Barrier Transition to Curb	2.000 EACH	_____.	_____.
0890	SPV.0060 Special 102. Fastening Sewer Access Covers	6.000 EACH	_____.	_____.
0892	SPV.0060 Special 103. Reset Existing Bearings	18.000 EACH	_____.	_____.
0894	SPV.0060 Special 201. Install Poles Type 9	1.000 EACH	_____.	_____.
0896	SPV.0060 Special 202. Install Poles Type 9 Special	1.000 EACH	_____.	_____.
0898	SPV.0060 Special 203. Install Poles Type 10	2.000 EACH	_____.	_____.
0900	SPV.0060 Special 204. Install Poles Type 10 Special	9.000 EACH	_____.	_____.
0902	SPV.0060 Special 205. Install Poles Type 12	1.000 EACH	_____.	_____.
0904	SPV.0060 Special 206. Install Poles Type 13	4.000 EACH	_____.	_____.
0906	SPV.0060 Special 207. Install Monotube Arms 15-FT	1.000 EACH	_____.	_____.
0908	SPV.0060 Special 208. Install Monotube Arms 25-FT	2.000 EACH	_____.	_____.
0910	SPV.0060 Special 209. Install Monotube Arms 35-FT-Special	3.000 EACH	_____.	_____.
0912	SPV.0060 Special 210. Install Monotube Arms 45-FT-Special	7.000 EACH	_____.	_____.



Proposal Schedule of Items

Proposal ID: 20240409007 Project(s): 1060-10-71, 1060-47-70, 1330-47-71, 2788-03-70

Federal ID(s): N/A, N/A, N/A, N/A

SECTION: 0001 Contract Items

Alt Set ID: Alt Mbr ID:

Proposal Line Number	Item ID Description	Approximate Quantity and Units	Unit Price	Bid Amount
0914	SPV.0060 Special 211. Install Monotube Arms 50-FT	2.000 EACH	_____.	_____.
0916	SPV.0060 Special 212. Install Monotube Arms 55-FT	3.000 EACH	_____.	_____.
0918	SPV.0060 Special 213. Install Luminaire Arms Steel 15-FT	23.000 EACH	_____.	_____.
0920	SPV.0060 Special 214. Traffic Signal Reflective Backplate 3S	3.000 EACH	_____.	_____.
0922	SPV.0060 Special 215. Traffic Signal Reflective Backplate 4S	2.000 EACH	_____.	_____.
0924	SPV.0060 Special 216. Trnspt & Install State Furn Traffic Signal Cabinet STH 318 & Silvernail Road	1.000 EACH	_____.	_____.
0926	SPV.0060 Special 217. Trnspt & Install State Furn Traffic Signal Cabinet IH 94 EB Ramps & STH 318	1.000 EACH	_____.	_____.
0928	SPV.0060 Special 218. Trnspt & Install State Furn Traffic Signal Cabinet IH 94 WB Ramps & STH 318	1.000 EACH	_____.	_____.
0930	SPV.0060 Special 219. Trnspt & Install State Furn Traffic Signal Cabinet IH 94 EB Ramps & CTH T	1.000 EACH	_____.	_____.
0932	SPV.0060 Special 220. Trnspt & Install State Furn Traffic Signal Cabinet IH 94 WB Ramps & CTH T	1.000 EACH	_____.	_____.
0934	SPV.0060 Special 221. Trnspt & Install State Furn EVP Heads & Con Light STH 318 & Silvernail Road	1.000 EACH	_____.	_____.



Proposal Schedule of Items

Proposal ID: 20240409007 Project(s): 1060-10-71, 1060-47-70, 1330-47-71, 2788-03-70

Federal ID(s): N/A, N/A, N/A, N/A

SECTION: 0001 Contract Items

Alt Set ID: Alt Mbr ID:

Proposal Line Number	Item ID Description	Approximate Quantity and Units	Unit Price	Bid Amount
0936	SPV.0060 Special 222. Trnspt & Install State Furn EVP Heads & Con Light IH 94 EB Ramps & STH 318	1.000 EACH	_____.	_____.
0938	SPV.0060 Special 223. Trnspt & Install State Furn EVP Heads & Con Light IH 94 WB Ramps & STH 318	1.000 EACH	_____.	_____.
0940	SPV.0060 Special 224. Trnspt & Install State Furn EVP Heads & Con Light IH 94 EB Ramps & CTH T	1.000 EACH	_____.	_____.
0942	SPV.0060 Special 225. Trnspt & Install State Furn EVP Heads & Con Light IH 94 WB Ramps & CTH T	1.000 EACH	_____.	_____.
0944	SPV.0060 Special 226. Trnspt Traffic Signals & Inter Lighting Materials STH 318 & Silvernail Road	1.000 EACH	_____.	_____.
0946	SPV.0060 Special 227. Trnspt Traffic Signals & Inter Lighting Materials IH 94 EB Ramps & STH 318	1.000 EACH	_____.	_____.
0948	SPV.0060 Special 228. Trnspt Traffic Signals & Inter Lighting Materials IH 94 WB Ramps & STH 318	1.000 EACH	_____.	_____.
0950	SPV.0060 Special 229. Trnspt Traffic Signals & Inter Lighting Materials IH 94 EB Ramps & CTH T	1.000 EACH	_____.	_____.
0952	SPV.0060 Special 230. Trnspt Traffic Signals & Inter Lighting Materials IH 94 WB Ramps & CTH T	1.000 EACH	_____.	_____.
0954	SPV.0060 Special 231. Trnspt & Install S-F Radar Detection System IH 94 EB Ramps & CTH T	1.000 EACH	_____.	_____.



Proposal Schedule of Items

Proposal ID: 20240409007 Project(s): 1060-10-71, 1060-47-70, 1330-47-71, 2788-03-70

Federal ID(s): N/A, N/A, N/A, N/A

SECTION: 0001 Contract Items

Alt Set ID: Alt Mbr ID:

Proposal Line Number	Item ID Description	Approximate Quantity and Units	Unit Price	Bid Amount
0956	SPV.0060 Special 232. Trnspt & Install S-F Radar Detection System IH 94 WB Ramps & CTH T	1.000 EACH	_____.	_____.
0958	SPV.0060 Special 233. Airport Obstruction Lights L810	15.000 EACH	_____.	_____.
0960	SPV.0060 Special 234. Concrete Control Cabinet Bases Type 9 Special Super P	2.000 EACH	_____.	_____.
0962	SPV.0060 Special 235. Temporary EVP System STH 318 & Silvernail Road	1.000 EACH	_____.	_____.
0964	SPV.0060 Special 236. Temporary EVP System IH 94 EB Ramps & STH 318	1.000 EACH	_____.	_____.
0966	SPV.0060 Special 237. Temporary EVP System IH 94 WB Ramps & STH 318	1.000 EACH	_____.	_____.
0968	SPV.0060 Special 238. Temporary EVP System IH 94 EB Ramps & CTH T	1.000 EACH	_____.	_____.
0970	SPV.0060 Special 239. Temporary EVP System IH 94 WB Ramps & CTH T	1.000 EACH	_____.	_____.
0972	SPV.0060 Special 250. Remove and Reinstall Fiber Optic Pigtail STH 318 & Silvernail Road	1.000 EACH	_____.	_____.
0974	SPV.0060 Special 251. Remove and Reinstall Fiber Optic Pigtail IH 94 EB Ramps & STH 318	1.000 EACH	_____.	_____.
0976	SPV.0060 Special 252. Remove and Reinstall Fiber Optic Pigtail IH 94 WB Ramps & STH 318	1.000 EACH	_____.	_____.
0978	SPV.0060 Special 253. Remove and Reinstall Fiber Optic Pigtail IH 94 EB Ramps & CTH T	1.000 EACH	_____.	_____.



Proposal Schedule of Items

Proposal ID: 20240409007 Project(s): 1060-10-71, 1060-47-70, 1330-47-71, 2788-03-70

Federal ID(s): N/A, N/A, N/A, N/A

SECTION: 0001 Contract Items

Alt Set ID: Alt Mbr ID:

Proposal Line Number	Item ID Description	Approximate Quantity and Units	Unit Price	Bid Amount
0980	SPV.0060 Special 254. Remove and Reinstall Fiber Optic Pigtail IH 94 WB Ramps & CTH T	1.000 EACH	_____.	_____.
0982	SPV.0060 Special 255. Relocate Existing Pull Box	1.000 EACH	_____.	_____.
0984	SPV.0060 Special 300. Remove Pole	2.000 EACH	_____.	_____.
0986	SPV.0060 Special 301. Ground Rod	5.000 EACH	_____.	_____.
0988	SPV.0060 Special 302. Refocus Vehicle Detector Assembly	24.000 EACH	_____.	_____.
0990	SPV.0060 Special 303. Removing Controller Cabinet Base	1.000 EACH	_____.	_____.
0992	SPV.0060 Special 304. Removing Controller Cabinet	1.000 EACH	_____.	_____.
0994	SPV.0060 Special 401. Modify Lighting Control Cabinets 120/240	1.000 EACH	_____.	_____.
0996	SPV.0060 Special 402. Maintenance of Lighting Systems (1060-47-70)	1.000 EACH	_____.	_____.
0998	SPV.0060 Special 403. Lighting System Integrator (1060-47-70)	1.000 EACH	_____.	_____.
1000	SPV.0060 Special 404. Lighting System Survey (1060-47-70)	1.000 EACH	_____.	_____.
1002	SPV.0090 Special 001. Concrete Barrier 51-Inch Special	688.000 LF	_____.	_____.
1004	SPV.0090 Special 002. Marking Epoxy 4-Inch Black Non Grooved	1,046.000 LF	_____.	_____.



Proposal Schedule of Items

Proposal ID: 20240409007 Project(s): 1060-10-71, 1060-47-70, 1330-47-71, 2788-03-70

Federal ID(s): N/A, N/A, N/A, N/A

SECTION: 0001 Contract Items

Alt Set ID: Alt Mbr ID:

Proposal Line Number	Item ID Description	Approximate Quantity and Units	Unit Price	Bid Amount
1006	SPV.0090 Special 003. Marking Epoxy 6-Inch Black Non Grooved	1,896.000 LF	_____.	_____.
1008	SPV.0090 Special 004. Marking Epoxy 8-Inch Black Non Grooved	221.000 LF	_____.	_____.
1010	SPV.0090 Special 005. Marking Epoxy 10-Inch Black Non Grooved	290.000 LF	_____.	_____.
1012	SPV.0090 Special 006. Concrete Barrier Wall Epoxy Crack Sealing	850.000 LF	_____.	_____.
1014	SPV.0090 Special 300. Outdoor Rated Network Cable	360.000 LF	_____.	_____.
1016	SPV.0090 Special 401. Cable Aerial Aluminum 6 AWG Triplex	1,030.000 LF	_____.	_____.
1018	SPV.0165 Special 001. Repair Galvanized Coating	26.000 SF	_____.	_____.
1020	SPV.0165 Special 002. Wall Modular Block Mechanically Stabilized Earth R-67-159	1,240.000 SF	_____.	_____.
1022	SPV.0165 Special 003. Concrete Barrier Wall Surface Repair	640.000 SF	_____.	_____.
1024	SPV.0180 Special 001. Methacrylate Flood Seal	8,944.000 SY	_____.	_____.
1026	SPV.0180 Special 002. Resin Binder High Friction Surface Treatment	7,274.000 SY	_____.	_____.
1028	SPV.0180 Special 003. Micromilling for Base Patching	45,212.000 SY	_____.	_____.
1030	SPV.0195 Special 001. HMA Longitudinal Joint Repair	2,100.000 TON	_____.	_____.



Proposal Schedule of Items

Proposal ID: 20240409007 Project(s): 1060-10-71, 1060-47-70, 1330-47-71, 2788-03-70

Federal ID(s): N/A, N/A, N/A, N/A

SECTION: 0001 Contract Items

Alt Set ID: Alt Mbr ID:

Proposal Line Number	Item ID Description	Approximate Quantity and Units	Unit Price	Bid Amount
1032	SPV.0195 Special 002. Asphaltic Repair	183.000 TON	_____.	_____.
Section: 0001			Total:	_____.
			Total Bid:	_____.

